



# Table Leg Guide

C-Legs	List	Description
CLEGL	\$347	C-Leg (Left) for 24"D Surface
CLEGR	\$347	CLEG (Right) for 24"D Surface
CLEG30L	\$361	C-Leg (Left) for 30"D Surface
CLEG30R	\$361	C-Leg (Right) for 30"D Surface
Center Leg	List	Description
CENLEG	\$347	Center Leg
T-Legs	List	Description
TLEG	\$336	T-Leg for 24"D Surface
TLEG30	\$372	T-Leg for 30"D Surface
Mod Panels	List	Description
MODPNL36	\$237	Modesty Panel for 36"W Surface
MODPNL42	\$258	Modesty Panel for 42"W Surface
MODPNL48	\$299	Modesty Panel for 48"W Surface
MODPNL60	\$398	Modesty Panel for 60" W Surface
MODPNL66	\$444	Modesty Panel for 66"W Surface
MODPNL72	\$492	Modesty Panel for 72" W Surface
MODPNL84	\$595	Modesty Panel for 84" W Surface
MODPNL96	\$647	Modesty Panel for 96" W Surface
Ext Mod Panels	List	Description
MODPNL48EXT	\$299	41.5" Modesty Panel Ext for 48"W Surface
MODPNL60EXT	\$398	53" Modesty Panel Ext for 60"W Surface
MODPNL72EXT	\$492	65" Modesty Panel Ext for 72"W Surface
H-Legs	List	Description
HLEG	\$295	H-Leg for 24"D Surface
HLEG30	\$361	H-Leg for 30"D Surface
P-Leg	List	Description
PLEGL	\$295	P-Leg for 24"D Surface-Left
PLEGR	\$295	P-Leg for 24"D Surface-Right
PLEG30L	\$361	P-Leg for 30"D Surface-Left
PLEG30R	\$361	P-Leg for 30"D Surface-Right
H-Leg Square	List	Description
HLEGS	\$295	H-Leg for 24"D Surface
HLEG30S	\$361	H-Leg for 30"D Surface
Square Leg	List	Description
SQLEG	\$212	2"W x 27.5"H Square Desk Leg
WSSP	List	Description
WSSP24	\$287	24" Work Surface Support Panel
WSSP30	\$323	30" Work Surface Support Panel
Arc T-Leg	List	Description
ATLEG	\$357	Arc T-Leg for 24"D Surface
ATLEG30	\$398	Arc T-Leg for 30"D Surface
Corner Leg	List	Description
CRNRLEG	\$284	Corner Leg
Column Leg	List	Description
CS4	\$223	4" Support Column

2" Post Leg	List	Description
R.CR	\$212	2" Post Leg
X-Base	List	Description
XBASE24	\$475	X Base for 24" Round or Square Table Top
XBASE30	\$568	X Base for 30" Round or Square Table Top
XBASE36	\$755	X Base for 36" Round or Square Table Top
XBASE48	\$817	X Base for 48" Round or Square Table Top
XBASE60	\$827	X Base for 60" Round or Square Table Top

## Table Leg Overview

With all the table leg options to choose from, we make it easy to choose the right leg for your work surface or table top!

Enjoy all the benefits that our well-crafted and sturdy table legs provide!



X-Base



2" Post Leg



CLEGL



CLEGR



Column leg



Corner Leg



Center Leg



T-Leg



Arc T-Leg



H-Leg



Work Surface Support Panel



Modesty Panel



Square H-Leg



P-Leg



Square Leg

# Universal PGHM Mullion Options

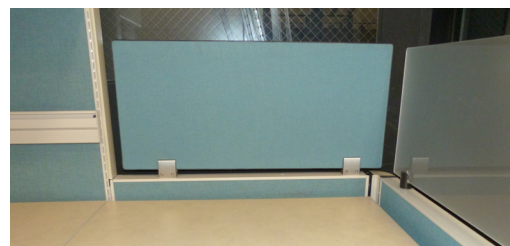
Our PGHM Universal Mullions can be added to work surfaces, table tops, OPS2 Panels and OPS2 tiles to provide a unique look or a sense of privacy!

Our standard mullions are offered in clear tempered glass, clear plexiglass or fabric. Frosted, bronzed and smoked mullions are also available at an up-charge. Custom mullion heights are available for fabric or plexiglass mullions in clear, bronzed, frosted or smoked plexiglass at an up-charge. Custom heights are not available for tempered glass mullions.

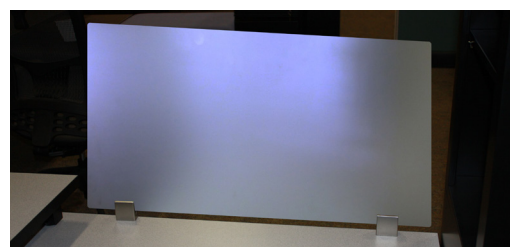
## Mullion Application

	On Panels	On Tile	On Work Surfaces
<b>GLASS*</b>	✓	✓	✓
<b>FABRIC</b>	✓	✓	✓

\*Clear Tempered Glass, Plexiglass or Frosted

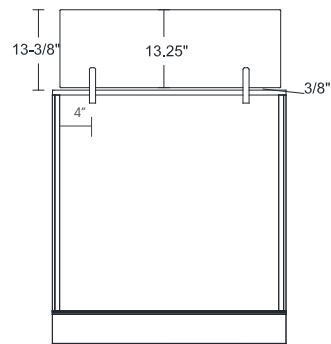


Fabric Mullion on Work Surface



Frosted Tempered Glass Mullion on Work Surface

Universal Mullion Clamp (PGHM)



\*This clamp will replace all of the other PGH clamps

\*PGHM available in painted or nickel finish

\*Nickel finish has \$10 list up-charge

\*Note: Prices reflect painted finish.

\*Add \$10 List Up-Charge for Nickel finish

Painted



Nickel

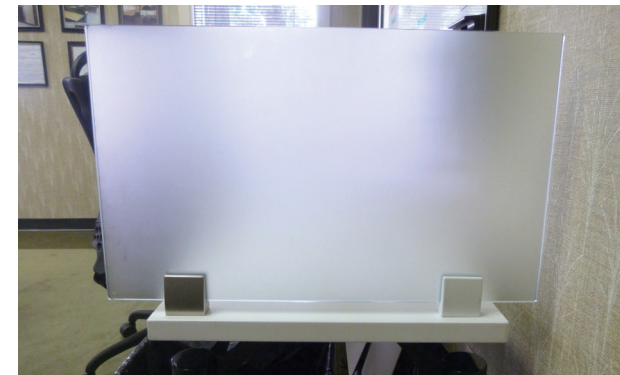


Mullions- Standard PGH (PGH)		
Note: Change .x to F for Fabric or G for Clear Tempered Glass		
PGHM24.x	\$292	Panel Mount F or G Screen 13.25H x 22W
PGHM30.x	\$313	Panel Mount F or G Screen 13.25H x 28W
PGHM36.x	\$333	Panel Mount F or G Screen 13.25H x 34W
PGHM42.x	\$354	Panel Mount F or G Screen 13.25H x 40W
PGHM48.x	\$374	Panel Mount F or G Screen 13.25H x 46W
PGHM60.x	\$395	Panel Mount F or G Screen 13.25H x 58W
PGHM72.x	\$415	Panel Mount F or G Screen 13.25H x 70W
PGHM24.FG	\$322	Panel Mount Frosted Tempered Glass Screen 13.25H x 22W
PGHM30.FG	\$344	Panel Mount Frosted Tempered Glass Screen 13.25H x 28W
PGHM36.FG	\$367	Panel Mount Frosted Tempered Glass Screen 13.25H x 34W
PGHM42.FG	\$390	Panel Mount Frosted Tempered Glass Screen 13.25H x 40W
PGHM48.FG	\$412	Panel Mount Frosted Tempered Glass Screen 13.25H x 46W
PGHM60.FG	\$435	Panel Mount Frosted Tempered Glass Screen 13.25H x 58W
PGHM72.FG	\$457	Panel Mount Frosted Tempered Glass Screen 13.25H x 70W



Frosted Plexiglass Mullion used as a Modesty Panel

PGHM- Nickel



72"W Mullions span over two 36"W Panels- Shown with frosted tempered glass

PGHM- Painted



Freestanding with Fabric Mullions  
Note: Mullions now have 1/8" radius (not shown)

## Table Tops

The difference between work surfaces and table tops is that work surfaces come standard with cantilevers whereas table tops do not. Therefore, when using freestanding applications, table tops are typically specified. Table tops do not come with legs- they must be specified separately.

Standard Table Tops		
18"Depth	List	Description
TT1860	\$326	18 x 60 Training Table Top (No hardware or base included)
TT1866	\$351	18 x 66 Training Table Top (No hardware or base included)
TT1872	\$393	18 x 72 Training Table Top (No hardware or base included)
24"Depth	List	Description
TT2436	\$264	24 x 36 Training Table Top (No hardware or base included)
TT2442	\$286	24 x 42 Training Table Top (No hardware or base included)
TT2448	\$303	24 x 48 Training Table Top (No hardware or base included)
TT2454	\$365	24 x 54 Training Table Top (No hardware or base included)
TT2460	\$377	24 x 60 Training Table Top (No hardware or base included)
TT2466	\$406	24 x 66 Training Table Top (No hardware or base included)
TT2472	\$456	24 x 72 Training Table Top (No hardware or base included)
TT2484	\$523	24 x 84 Training Table Top (No hardware or base included)
TT2496	\$639	24 x 96 Training Table Top (No hardware or base included)
30"Depth	List	Description
TT3036	\$313	30 x 36 Training Table Top (No hardware or base included)
TT3042	\$344	30 x 42 Training Table Top (No hardware or base included)
TT3048	\$361	30 x 48 Training Table Top (No hardware or base included)
TT3054	\$437	30 x 54 Training Table Top (No hardware or base included)
TT3060	\$458	30 x 60 Training Table Top (No hardware or base included)
TT3066	\$499	30 x 66 Training Table Top (No hardware or base included)
TT3072	\$561	30 x 72 Training Table Top (No hardware or base included)
TT3084	\$644	30 x 84 Training Table Top (No hardware or base included)
TT3096	\$747	30 x 96 Training Table Top (No hardware or base included)

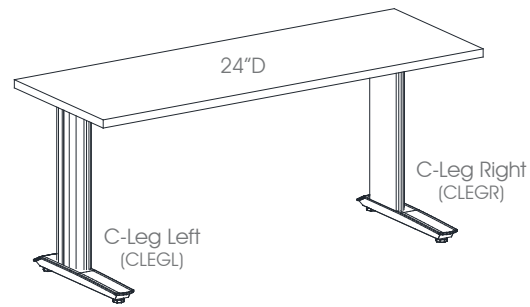
# C-Legs

C-Legs are handed- left and right.

### Example 1:

24"D Table Top w/CLEGL & CLEGR

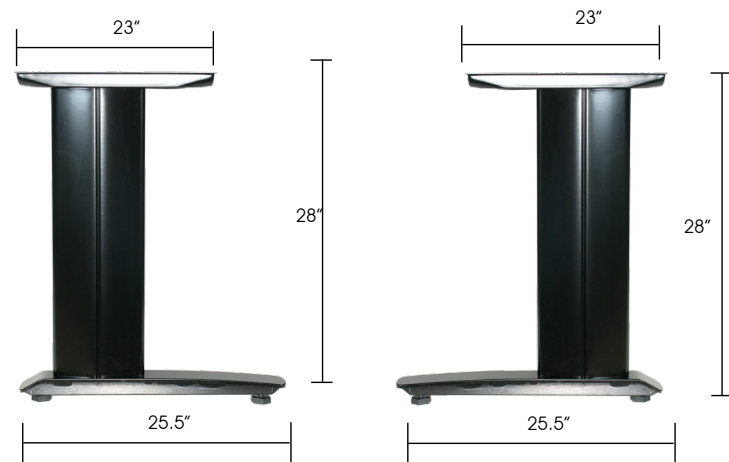
Size	Table Top	Leg 1	Leg 2	Total List
24 x 36	TT2436 (\$264)	CLEGL (\$347)	CLEGR (\$347)	\$958
24 x 42	TT2442 (\$286)	CLEGL (\$347)	CLEGR (\$347)	\$980
24 x 48	TT2448 (\$303)	CLEGL (\$347)	CLEGR (\$347)	\$997
24 x 54	TT2454 (\$365)	CLEGL (\$347)	CLEGR (\$347)	\$1059
24 x 60	TT2460 (\$377)	CLEGL (\$347)	CLEGR (\$347)	\$1071
24 x 66	TT2466 (\$406)	CLEGL (\$347)	CLEGR (\$347)	\$1100
24 x 72	TT2472 (\$456)	CLEGL (\$347)	CLEGR (\$347)	\$1150



### Example 2:

30"D Table Top w/CLEG30L & CLEG30R

Size	Table Top	Leg 1	Leg 2	Total List
30 x 36	TT3036 (\$313)	CLEG30L (\$361)	CLEG30R (\$361)	\$1035
30 x 42	TT3042 (\$344)	CLEG30L (\$361)	CLEG30R (\$361)	\$1066
30 x 48	TT3048 (\$361)	CLEG30L (\$361)	CLEG30R (\$361)	\$1083
30 x 54	TT3054 (\$437)	CLEG30L (\$361)	CLEG30R (\$361)	\$1159
30 x 60	TT3060 (\$458)	CLEG30L (\$361)	CLEG30R (\$361)	\$1180
30 x 66	TT3066 (\$499)	CLEG30L (\$361)	CLEG30R (\$361)	\$1221
30 x 72	TT3072 (\$561)	CLEG30L (\$361)	CLEG30R (\$361)	\$1283

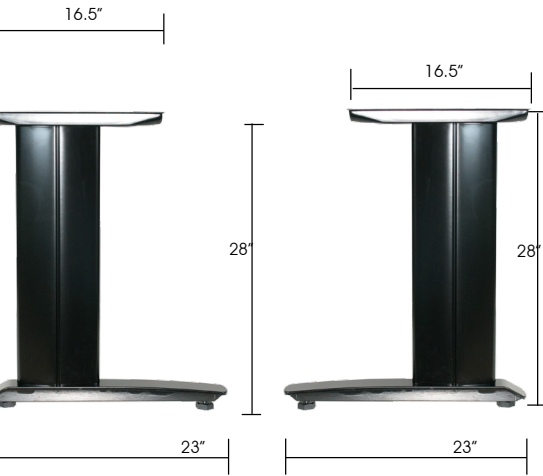
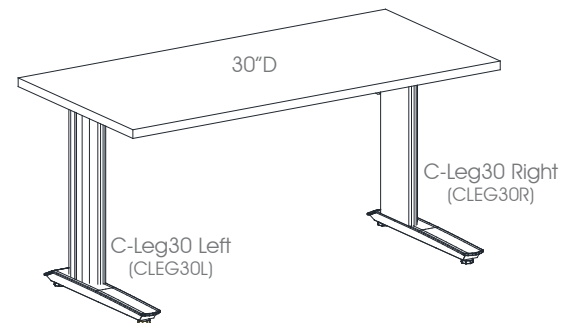


CLEG30L

C-Leg for 30"D table top or work surface. When facing the surface, the CLEG30L will be on the Left. Accepts Modesty Panel.

CLEG30R

C-Leg for 30"D table top or work surface. When facing the surface, the CLEG30R will be on the Right. Accepts Modesty Panel.



CLEGL

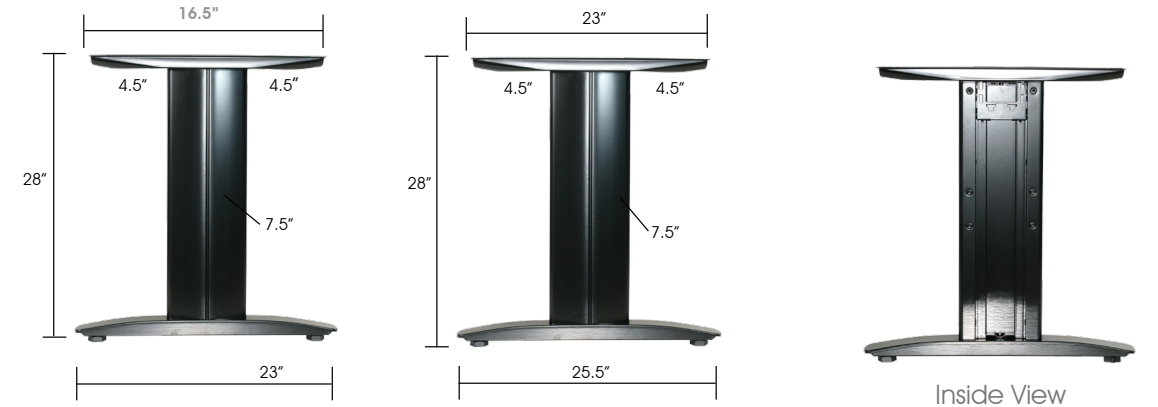
C-Leg for 24"D table top or work surface. When facing the surface, the CLEGL will be on the Left. Accepts Modesty Panel.

CLEGR

C-Leg for 24"D table top or work surface. When facing the surface, the CLEGR will be on the Right. Accepts Modesty Panel.

# T-Legs

T-Legs can support 24 and 30"D work surfaces. They accept modesty panels.



TLEG

Use with 24"D Surface

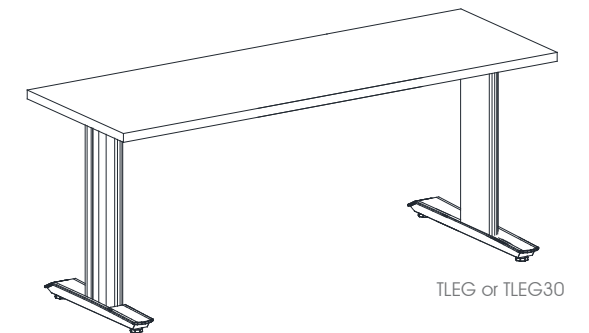
TLEG30

Use with 30"D Surface



Inside View

Size	Table Top	Leg 1	Leg 2	Total List
24 x 36	TT2436 (\$264)	TLEG (\$336)	TLEG (\$336)	\$936
24 x 48	TT2448 (\$303)	TLEG (\$336)	TLEG (\$336)	\$975
24 x 60	TT2460 (\$377)	TLEG (\$336)	TLEG (\$336)	\$1049
24 x 66	TT2466 (\$406)	TLEG (\$336)	TLEG (\$336)	\$1078
24 x 72	TT2472 (\$456)	TLEG (\$336)	TLEG (\$336)	\$1128
30 x 36	TT3036 (\$313)	TLEG30 (\$372)	TLEG30 (\$372)	\$1057
30 x 48	TT3048 (\$361)	TLEG30 (\$372)	TLEG30 (\$372)	\$1105
30 x 60	TT3060 (\$458)	TLEG30 (\$372)	TLEG30 (\$372)	\$1202
30 x 66	TT3066 (\$499)	TLEG30 (\$372)	TLEG30 (\$372)	\$1243
30 x 72	TT3072 (\$561)	TLEG30 (\$372)	TLEG30 (\$372)	\$1305



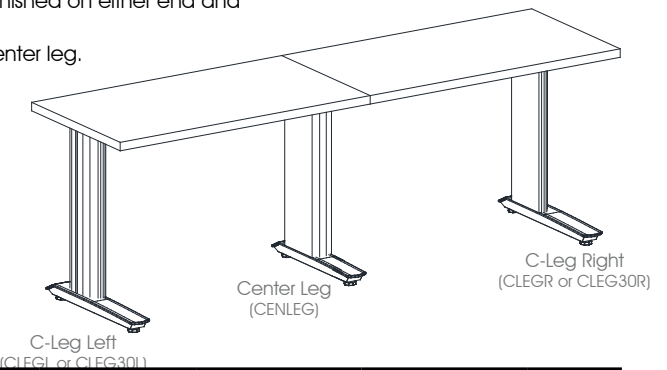
TLEG or TLEG30

TLEG or TLEG30

# Center Legs

Center Legs can be used for support when joining two table tops together or in the center of a long surface. They are not finished on either end and therefore are not handed.

Note: Table Tops longer than 72" will require a center leg.



C-Leg Left (CLEGL or CLEG30L)

Center Leg (CENLEG)

C-Leg Right (CLEGR or CLEG30R)



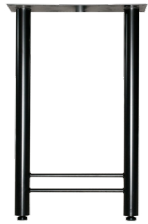
28"

Overall Size	Individual Tops	Leg 1	Leg 2	Leg 3	Total List
24 x 96	TT2448- QTY 2 (\$303 ea)	CLEGL (\$347)	CENLEG (\$347)	CLEGR (\$347)	\$1647
24 x 120	TT2460- QTY 2 (\$377 ea)	CLEGL (\$347)	CENLEG (\$347)	CLEGR (\$347)	\$1795
24 x 132	TT2466- QTY 2 (\$406 ea)	CLEGL (\$347)	CENLEG (\$347)	CLEGR (\$347)	\$1447
24 x 144	TT2472- QTY 2 (\$456 ea)	CLEGL (\$347)	CENLEG (\$347)	CLEGR (\$347)	\$1953
30 x 96	TT3048- QTY 2 (\$361 ea)	CLEG30L (\$361)	CENLEG (\$347)	CLEG30R (\$361)	\$1805
30 x 120	TT3060- QTY 2 (\$458 ea)	CLEG30L (\$361)	CENLEG (\$347)	CLEG30R (\$361)	\$1999
30 x 132	TT3066- QTY 2 (\$499 ea)	CLEG30L (\$361)	CENLEG (\$347)	CLEG30R (\$361)	\$2039
30 x 144	TT3072- QTY 2 (\$561 ea)	CLEG30L (\$361)	CENLEG (\$347)	CLEG30R (\$361)	\$2163

## H-Legs & Square H-Legs

H-Legs and Square H-Legs can be used to support 24" and 30" depth table tops. They are not handed.

H-Leg



Square H-Leg



Size	Table Top	Leg 1	Leg 2	Total List
24 x 36	TT2436 (\$264)	HLEG or HLEGS (\$295)	HLEG or HLEGS (\$295)	\$854
24 x 42	TT2442 (\$286)	HLEG or HLEGS (\$295)	HLEG or HLEGS (\$295)	\$876
24 x 48	TT2448 (\$303)	HLEG or HLEGS (\$295)	HLEG or HLEGS (\$295)	\$893
24 x 54	TT2454 (\$365)	HLEG or HLEGS (\$295)	HLEG or HLEGS (\$295)	\$955
24 x 60	TT2460 (\$377)	HLEG or HLEGS (\$295)	HLEG or HLEGS (\$295)	\$967
24 x 66	TT2466 (\$406)	HLEG or HLEGS (\$295)	HLEG or HLEGS (\$295)	\$996
24 x 72	TT2472 (\$456)	HLEG or HLEGS (\$295)	HLEG or HLEGS (\$295)	\$1046
30 x 36	TT3036 (\$313)	HLEG30 or HLEG30S (\$361)	HLEG30 or HLEG30S (\$361)	\$1035
30 x 42	TT3042 (\$344)	HLEG30 or HLEG30S (\$361)	HLEG30 or HLEG30S (\$361)	\$1066
30 x 48	TT3048 (\$361)	HLEG30 or HLEG30S (\$361)	HLEG30 or HLEG30S (\$361)	\$1083
30 x 54	TT3054 (\$437)	HLEG30 or HLEG30S (\$361)	HLEG30 or HLEG30S (\$361)	\$1159
30 x 60	TT3060 (\$458)	HLEG30 or HLEG30S (\$361)	HLEG30 or HLEG30S (\$361)	\$1180
30 x 66	TT3066 (\$499)	HLEG30 or HLEG30S (\$361)	HLEG30 or HLEG30S (\$361)	\$1221
30 x 72	TT3072 (\$561)	HLEG30 or HLEG30S (\$361)	HLEG30 or HLEG30S (\$361)	\$1283

## Post Legs & Square Legs

2" R.CR Post legs can be placed at the corners of work surfaces for freestanding support.

Four R.CR post legs shown with Table Top

Top View

Post Leg



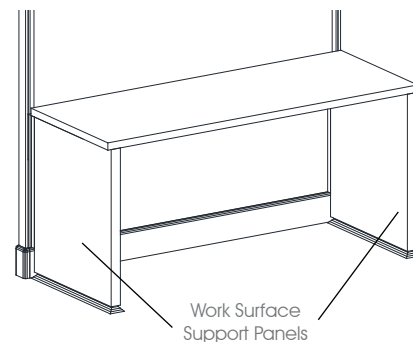
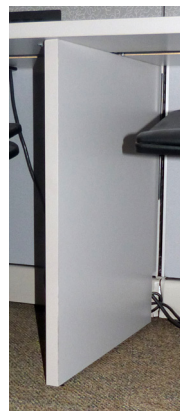
Square Leg



Size	Table Top	Leg	Total List
24 x 36	TT2436 (\$264)	SQLEG or R.CR- QTY 4 (\$212 ea)	\$1112
24 x 42	TT2442 (\$286)	SQLEG or R.CR- QTY 4 (\$212 ea)	\$1134
24 x 48	TT2448 (\$303)	SQLEG or R.CR- QTY 4 (\$212 ea)	\$1151
24 x 54	TT2454 (\$365)	SQLEG or R.CR- QTY 4 (\$212 ea)	\$1213
24 x 60	TT2460 (\$377)	SQLEG or R.CR- QTY 4 (\$212 ea)	\$1225
24 x 66	TT2466 (\$406)	SQLEG or R.CR- QTY 4 (\$212 ea)	\$1254
24 x 72	TT2472 (\$456)	SQLEG or R.CR- QTY 4 (\$212 ea)	\$1304
30 x 36	TT3036 (\$313)	SQLEG or R.CR- QTY 4 (\$212 ea)	\$1161
30 x 42	TT3042 (\$344)	SQLEG or R.CR- QTY 4 (\$212 ea)	\$1192
30 x 48	TT3048 (\$361)	SQLEG or R.CR- QTY 4 (\$212 ea)	\$1209
30 x 54	TT3054 (\$437)	SQLEG or R.CR- QTY 4 (\$212 ea)	\$1285
30 x 60	TT3060 (\$458)	SQLEG or R.CR- QTY 4 (\$212 ea)	\$1306
30 x 66	TT3066 (\$499)	SQLEG or R.CR- QTY 4 (\$212 ea)	\$1347
30 x 72	TT3072 (\$561)	SQLEG or R.CR- QTY 4 (\$212 ea)	\$1409

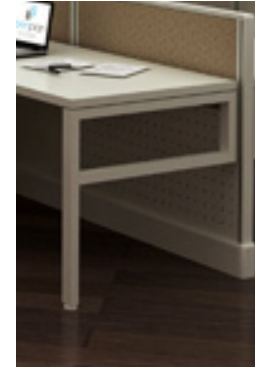
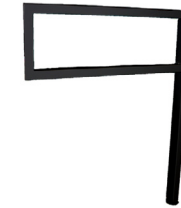
## Work Surface Support Panels

These support panels attach to the work surfaces with a bracket. They can be added to the exposed end of a work surface for extra support, privacy or aesthetics. 24"D surfaces use WSSP24 and 30"D surfaces use WSSP30.



## P-Legs

P-Legs are handed left and right and can be used to support 24" and 30" depth work surfaces. However, all P-Legs must attach to a panel as they cannot be used for free standing support.



## Arc T-Leg

These can be used to support 24" and 30"D work surfaces. Use ATLEG for 24"D Work Surfaces and ATLEG30 for 30"D Work Surfaces.



Size	Table Top	Leg	Total List
24 x 36	TT2436 (\$264)	ATLEG- QTY 2 (\$357 ea)	\$1060
24 x 42	TT2442 (\$286)	ATLEG- QTY 2 (\$357 ea)	\$1082
24 x 48	TT2448 (\$303)	ATLEG- QTY 2 (\$357 ea)	\$1099
24 x 54	TT2454 (\$365)	ATLEG- QTY 2 (\$357 ea)	\$1161
24 x 60	TT2460 (\$377)	ATLEG- QTY 2 (\$357 ea)	\$1173
24 x 66	TT2466 (\$406)	ATLEG- QTY 2 (\$357 ea)	\$1202
24 x 72	TT2472 (\$456)	ATLEG- QTY 2 (\$357 ea)	\$1252
30 x 36	TT3036 (\$313)	ATLEG30- QTY 2 (\$398 ea)	\$1109
30 x 42	TT3042 (\$344)	ATLEG30- QTY 2 (\$398 ea)	\$1140
30 x 48	TT3048 (\$361)	ATLEG30- QTY 2 (\$398 ea)	\$1157
30 x 54	TT3054 (\$437)	ATLEG30- QTY 2 (\$398 ea)	\$1233
30 x 60	TT3060 (\$458)	ATLEG30- QTY 2 (\$398 ea)	\$1254
30 x 66	TT3066 (\$499)	ATLEG30- QTY 2 (\$398 ea)	\$1295
30 x 72	TT3072 (\$561)	ATLEG30- QTY 2 (\$398 ea)	\$1357

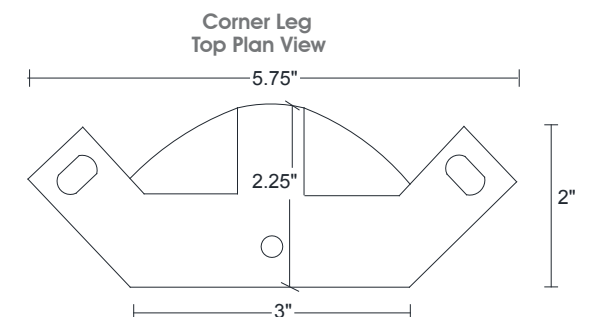
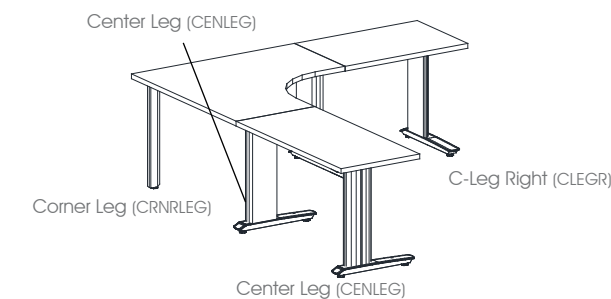
## Corner Legs

Corner legs can be used in freestanding corner applications. Modesty Panels can be attached to corner legs as shown below.



Inside Corner View (Shown w/Modesty Panels)

Outside View (Shown w/Modesty Panels)



## X-Base

An XBASE can be used to support 30" - 60" round or square table tops. Tops and Bases sold separately.



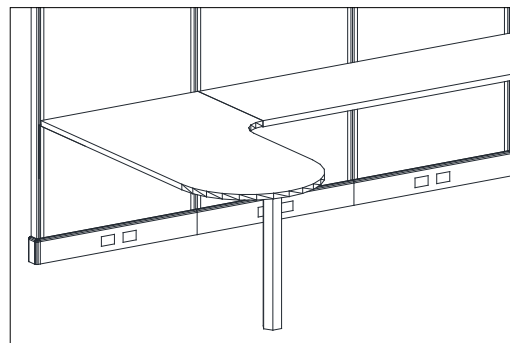
Size/Shape	Table Top	Base	Total List
36" Round	RT36 (\$463)	XBASE36 (\$755)	\$1218
36" Square	SQ3636 (\$477)	XBASE36 (\$755)	\$1232
42" Round	RT42 (\$577)	XBASE36 (\$755)	\$1332
42" Square	SQ4242 (\$594)	XBASE36 (\$755)	\$1349
48" Round	RT48 (\$593)	XBASE48 (\$817)	\$1410
48" Square	SQ4848 (\$611)	XBASE48 (\$817)	\$1428
60" Round	RT60 (\$875)	XBASE60 (\$827)	\$1702
60" Square	SQ6060 (\$901)	XBASE60 (\$827)	\$1728

## Column Leg

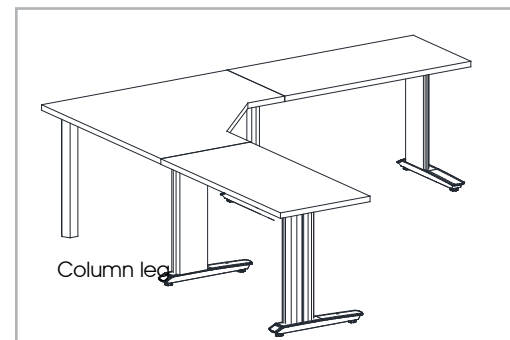
4" Support Column legs can support table tops, corners, end of peninsulas and DTOPS.



Example 1:  
Column leg shown supporting DTOP

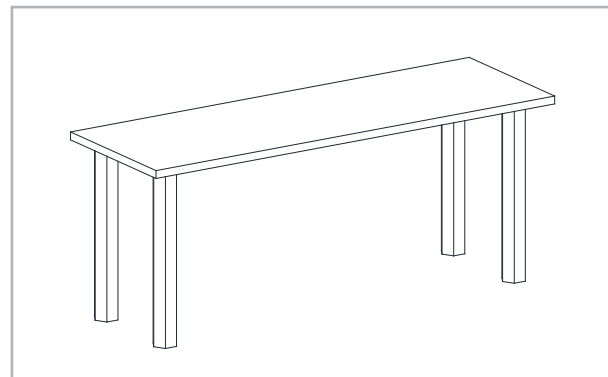


Example 2:  
Column leg shown supporting Peninsula Surface



Example 3:  
Column Leg shown at corner

Size	Table Top	Leg	Total List
24 x 36	TT2436 (\$264)	CS4- QTY 4 (\$223 ea)	\$1160
24 x 42	TT2442 (\$286)	CS4- QTY 4 (\$223 ea)	\$1182
24 x 48	TT2448 (\$303)	CS4- QTY 4 (\$223 ea)	\$1199
24 x 54	TT2454 (\$365)	CS4- QTY 4 (\$223 ea)	\$1261
24 x 60	TT2460 (\$377)	CS4- QTY 4 (\$223 ea)	\$1273
24 x 66	TT2466 (\$406)	CS4- QTY 4 (\$223 ea)	\$1302
24 x 72	TT2472 (\$456)	CS4 - QTY 4 (\$223 ea)	\$1352
30 x 36	TT3036 (\$313)	CS4- QTY 4 (\$223 ea)	\$1209
30 x 42	TT3042 (\$344)	CS4- QTY 4 (\$223 ea)	\$1240
30 x 48	TT3048 (\$361)	CS4- QTY 4 (\$223 ea)	\$1257
30 x 54	TT3054 (\$437)	CS4- QTY 4 (\$223 ea)	\$1333
30 x 60	TT3060 (\$458)	CS4- QTY 4 (\$223 ea)	\$1354
30 x 66	TT3066 (\$499)	CS4- QTY 4 (\$223 ea)	\$1395
30 x 72	TT3072 (\$561)	CS4- QTY 4 (\$223 ea)	\$1457



Example 4:  
Column legs supporting table top  
(Pricing Examples shown below)

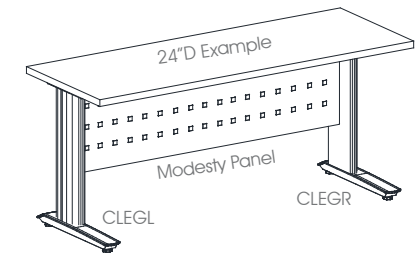
## Modesty Panels

Modesty Panels can be connected to C-Legs for an added sense of privacy.

NOTE: Modesty Panels larger than 72 must be used with a minimum of 30"D surfaces and have a leg in the center for additional support.

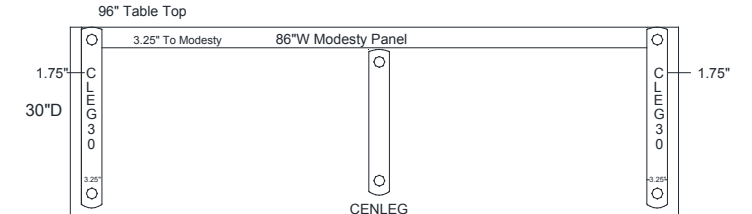
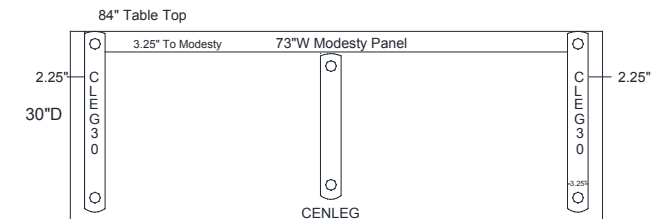
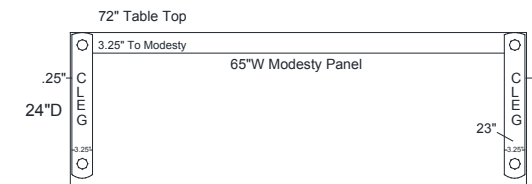
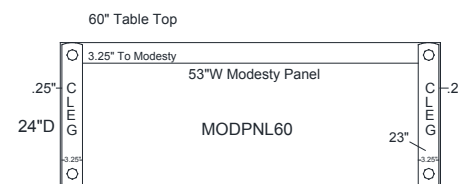
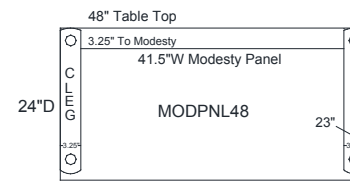
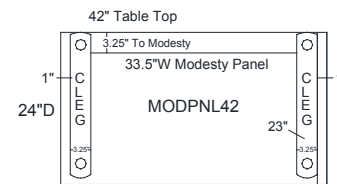
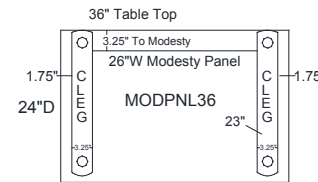
Pricing Examples w/24"D Table Top

TT Size	Table Top	Leg 1	Leg 2	Modesty Panel	Total List
24 x 36	TT2436 (\$264)	CLEGL (\$347)	CLEGR (\$347)	MODPNL36 (\$237)	\$1195
24 x 42	TT2442 (\$286)	CLEGL (\$347)	CLEGR (\$347)	MODPNL42 (\$258)	\$1238
24 x 48	TT2448 (\$303)	CLEGL (\$347)	CLEGR (\$347)	MODPNL48 (\$299)	\$1296
24 x 60	TT2460 (\$377)	CLEGL (\$347)	CLEGR (\$347)	MODPNL60 (\$398)	\$1469
24 x 66	TT2466 (\$406)	CLEGL (\$347)	CLEGR (\$347)	MODPNL66 (\$444)	\$1544
24 x 72	TT2472 (\$456)	CLEGL (\$347)	CLEGR (\$347)	MODPNL72 (\$492)	\$1642



Example: Single Freestanding Table w/ CLEGS and Modesty Panel

Plan View



NOTE: Dimensions are approximate and may vary slightly.

Modesty Panels 84 & 96 must be used with minimum of 30"D Top and require a Center Leg for added support

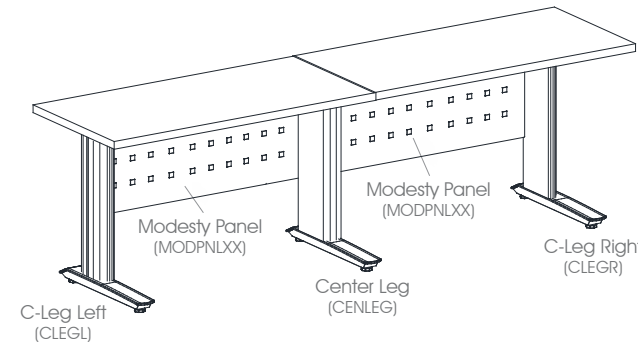
TT Size	Table Top	Leg 1	Leg 2	Leg 3	Modesty Panel	Total List
30 x 84	TT3084 (\$644)	CLEG30L (\$361)	CLEG30R (\$361)	CENLEG (\$347)	MODPNL84 (\$595)	\$2308
30 x 96	TT3096 (\$747)	CLEG30L (\$361)	CLEG30R (\$361)	CENLEG (\$347)	MODPNL96 (\$647)	\$2463

# Freestanding Tables w/Center Legs & Modesty Panels

Standard modesty panels are approximately 10" shorter than the table top width. When you have two table tops being joined with a center leg (shown on right), the central location of the center leg will pull the modesty panel and C-leg away from the edge of the table top.

## What Modesty to Use:

Top Width	Modesty Part #	Modesty Width
36"	MODPNL36	26"
42"	MODPNL42	33.5"
48"	MODPNL48	41.5"
60"	MODPNL60	53"
66"	MODPNL66	57"
72"	MODPNL72	65"



## Pricing Examples:

Below shows pricing and part #'s when combining two 36", 42", 48", 60", 66" and 72" table tops (24D) with C-Legs, Center Legs and Modesty Panels.

### Two 36" Table Tops

Modesty Panel	Table Top	Leg 1	Leg 2	Leg 3	Total List
MODPNL36- Qty 2 (\$237 ea)	TT2436- Qty 2 (\$255 ea)	CLEGL (\$347)	CLEGR (\$347)	CENLEG (\$347)	\$2025

### Two 42" Table Tops

Modesty Panel	Table Top	Leg 1	Leg 2	Leg 3	Total List
MODPNL42- Qty 2 (\$258 ea)	TT2442- Qty 2 (\$277 ea)	CLEGL (\$347)	CLEGR (\$347)	CENLEG (\$347)	\$2111

### Two 48" Table Tops

Modesty Panel	Table Top	Leg 1	Leg 2	Leg 3	Total List
MODPNL48- Qty 2 (\$299 ea)	TT2448- Qty 2 (\$294 ea)	CLEGL (\$347)	CLEGR (\$347)	CENLEG (\$347)	\$2526

### Two 60" Table Tops

Modesty Part #	Table Top	Leg 1	Leg 2	Leg 3	Total List
MODPNL60- Qty 2 (\$398 ea)	TT2460- QTY2 (\$366 ea)	CLEGL (\$347)	CLEGR (\$347)	CENLEG (\$347)	\$2967

### Two 66" Table Tops

Modesty Part #	Table Top	Leg 1	Leg 2	Leg 3	Total List
MODPNL66- Qty 2 (\$444 ea)	TT2466- QTY2 (\$393 ea)	CLEGL (\$347)	CLEGR (\$347)	CENLEG (\$347)	\$2715

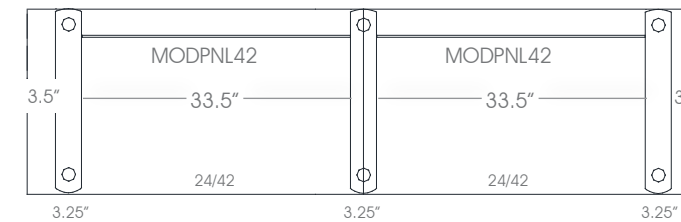
### Two 72" Table Tops

Modesty Part #	Table Top	Leg 1	Leg 2	Leg 3	Total List
MODPNL72EXT- Qty 2 (\$492 ea)	TT2472- QTY2 (\$442 ea)	CLEGL (\$347)	CLEGR (\$347)	CENLEG (\$347)	\$3401

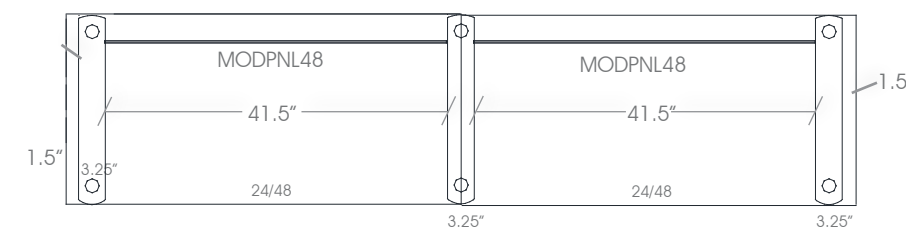
## Combining Equal Width Table Tops w/Center Leg

When using center legs, the gap between the table top edge and the beginning of the table leg will vary depending on table top size and modesty panel. When combining equal table top widths with center legs, the gap on both sides will be the same.

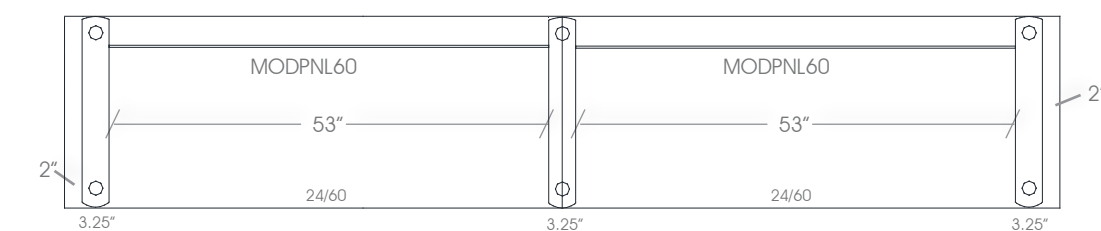
### Example 1: Two 42" Table Tops



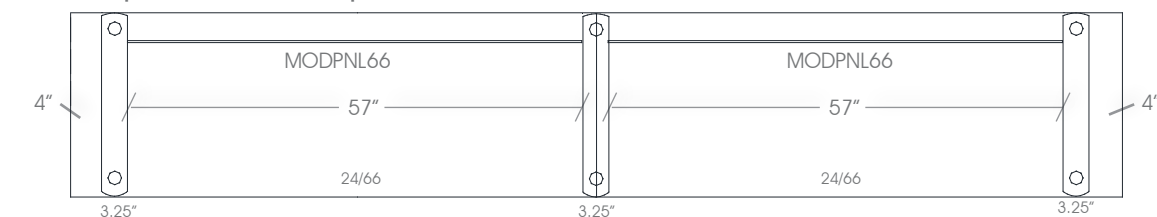
### Example 2: Two 48" Table Tops



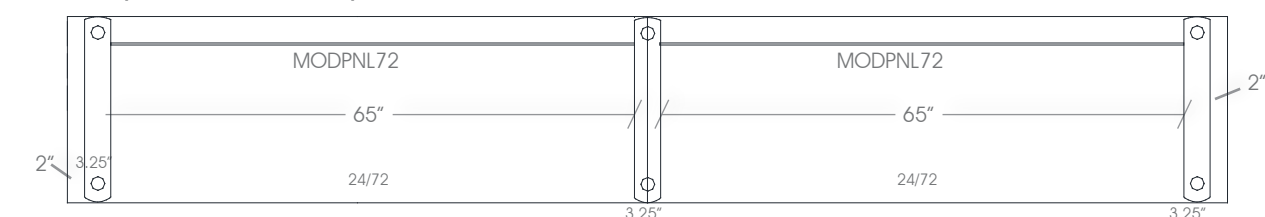
### Example 3: Two 60" Table Tops



### Example 4: Two 66" Table Tops



### Example 5: Two 66" Table Tops



## Plan View Examples:

Below shows leg and modesty dimensions when combining two 42", 48", 60", 66" or 72" table tops with center legs and modesty panels.

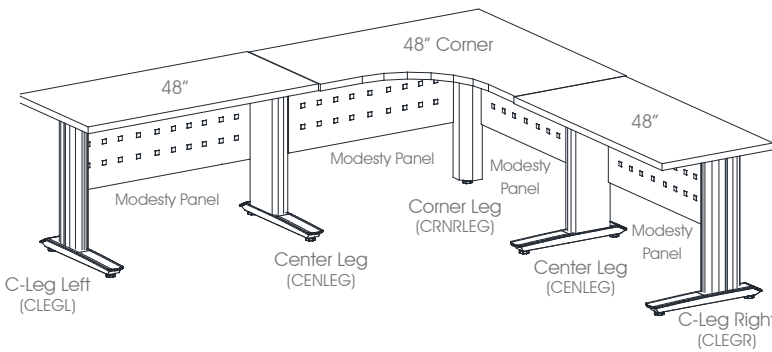
### Example 3

#### Corner L-Shaped Freestanding Tables w/Modesty Panels

Note: It is recommended that freestanding layouts are drawn prior to ordering to ensure proper specification.



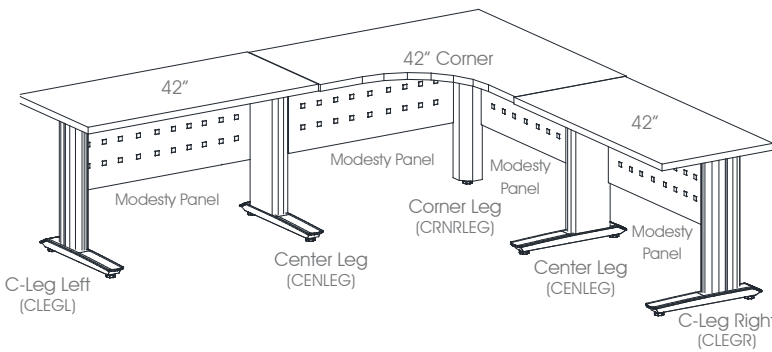
Outside View



Inside View

#### 8' x 8' Specification/Pricing Example

Table Top	Curv Corner WS	Leg 1	Leg 2	Leg 3	Leg 4	Modesty Panel	Total List
TT2448- Qty 2 (\$294 ea)	CCWS484824- Qty 1 (\$565)	CLEGL Qty- 1 (\$347)	CLEGR Qty- 1 (\$347)	CENLEG Qty- 2 (\$347 ea)	CRNRLEG Qty- 1 (\$284 ea)	MODPNL48 Qty- 4 (\$299)	\$4025



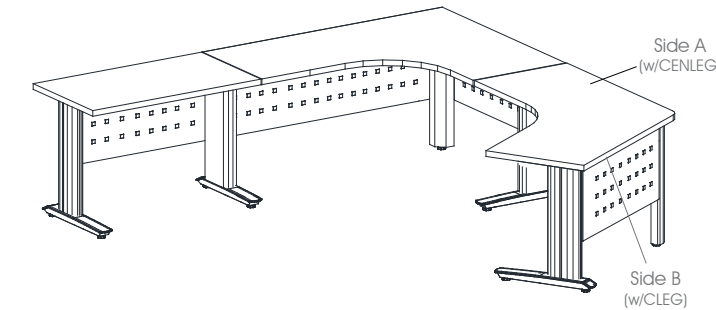
#### 7' x 7' Specification/Pricing Example

Table Top	Curv Corner WS	Leg 1	Leg 2	Leg 3	Leg 4	Modesty Panel	Total List
TT2442- Qty 2 (\$277 ea)	CCWS424224- Qty 1 (\$524)	CLEGL Qty- 1 (\$347)	CLEGR Qty- 1 (\$347)	CENLEG Qty- 2 (\$347 ea)	CRNRLEG Qty- 1 (\$284 ea)	MODPNL42 Qty- 4 (\$258)	\$3782

### Example 4

#### Corner L-Shaped Freestanding Tables w/120 Degree Corners & Modesty Panels

When using a center leg with 120 degree work surfaces, the modesty panel sizes for Side A and B (shown on the right) may vary due to the center leg location and modesty size. You can use the chart to the right as a guideline when specifying this type of configuration. However, it is recommended that freestanding layouts are drawn prior to ordering to verify leg location and ensure accurate specification.



#### Side A (Modesty Connected to Center Leg)

120° Corner	Modesty Part #	Modesty Width
36"	MODPNL42	33.5"
48"	MODPNL48	41.5"
60"	MODPNL60	53"

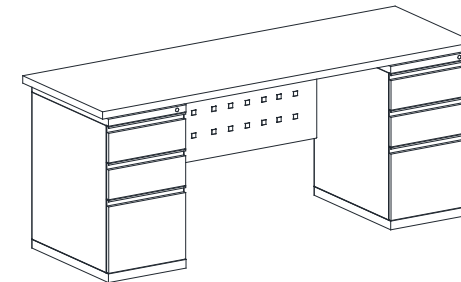
#### Side B (Modesty Connected to C-Leg)

120° Corner	Modesty Part #	Modesty Width
36"	MODPNL36	26"
48"	MODPNL48	37.5"
60"	MODPNL60	48.5"

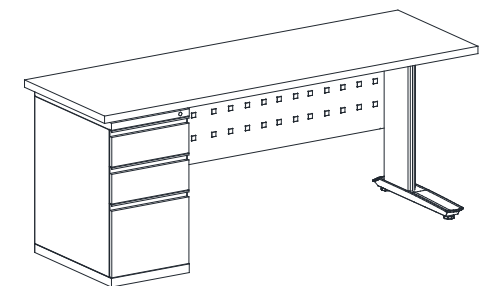
### Example 5

#### Pedestals & Modesty Panels

Modesty Panels can be attached to pedestals as shown in the below examples.



Modesty Panel shown with Two Pedestals



Modesty Panel shown with Single Pedestal and a C-Leg

#### Example: 24"D x 66"W

Table Top	Pedestal	Modesty Panel	Total List
TT2466 (\$393)	BBF-FP Qty 2 (\$685 ea)	MODPNL42 (\$258)	\$2021

#### Example: 24"D x 72"W

Table Top	Pedestal	Modesty Panel	Total List
TT2472 (\$442)	BBF-FP Qty 2 (\$685 ea)	MODPNL48 (\$299)	\$2111

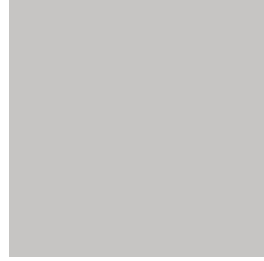
#### Example: 24"D x 66"W

Table Top	Pedestal	Table Leg	Modesty Panel	Total List
TT2466 (\$393)	BBF-FP (\$685)	CLEGR (\$347)	MODPNL48 (\$299)	\$1724

#### Example: 24"D x 72"W

Table Top	Pedestal	Table Leg	Modesty Panel	Total List
TT2472 (\$442)	BBF-FP (\$685)	CLEGR (\$347)	MODPNL60 (\$398)	\$1872





OPS2 System | New & Remanufactured | OPS2 Tile | Modular Walls | Seating | Casegoods | File Storage & Accessories  
All content is subject to change. For the most current revision, visit [www.openplan.com](http://www.openplan.com).



4700 Deepwater Terminal Road | Richmond, VA 23234 | 844.OPS.OPS1  
[www.openplan.com](http://www.openplan.com) | [sales@openplan.com](mailto:sales@openplan.com)

© 2016 Open Plan Systems

01.11.2016