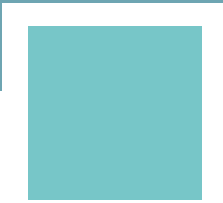


Tile System Specification Guide



Overview

Our OPS2 Tile System is fully compatible with our OPS2 Panel System and utilizes the same connectors. When combining the two systems, we often recommend using a monolithic spine with tile wings. Powered tiles have Version 2 power, Version 2 rails and aluminum top caps.

Tile Heights	Tile Widths	Tile Frame Heights	Tile Stacker Heights	Add Tile Stackers to Achieve
★ 7"	★ 24"			
★ 14"	★ 30"	★ 39"	★ 8"	★ 47" H
★ 18"†	★ 36"	★ 53"	★ 14"	★ 85" H
	★ 42"	★ 67"	★ 18"†	★ 103" H
	★ 48"			

† 18" H can be used as bottom tile or 18" stacker only.

Monolithic spine with tile wings



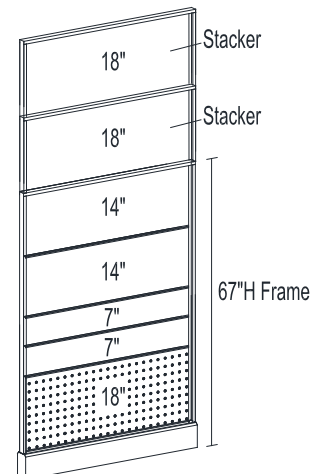
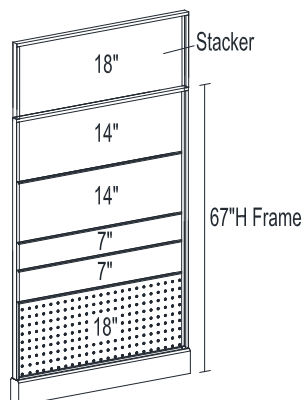
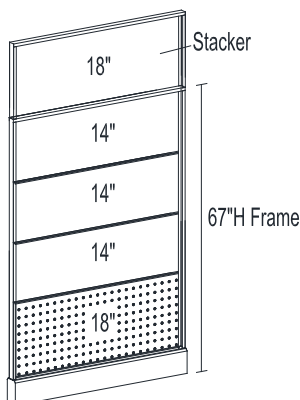
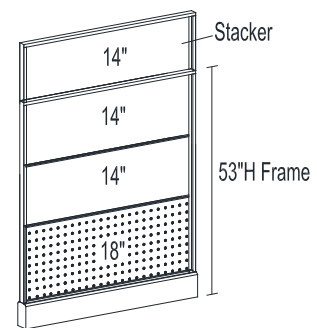
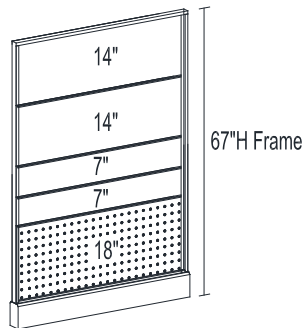
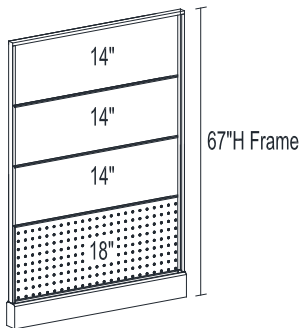
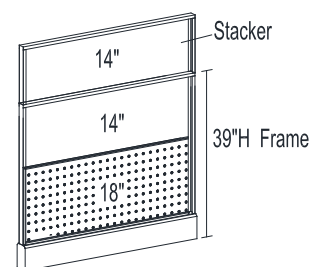
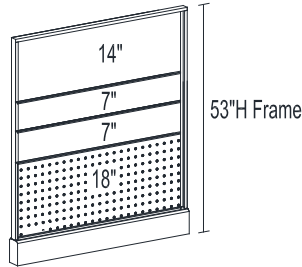
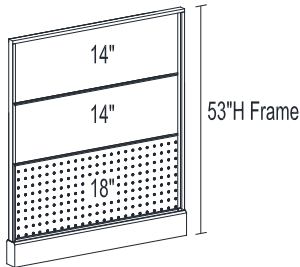
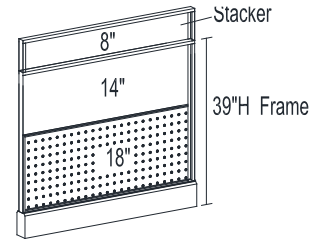
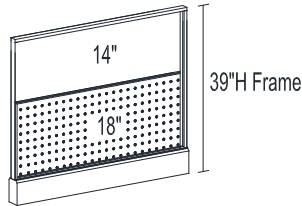
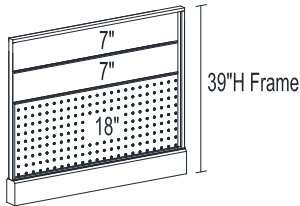
Tile Spine and Wings



Standard Tile Configurations

When specifying our tile system, you will first need to select from the below standard tile height options. Standard tile heights cannot be altered. After choosing your standard height(s), you will then select from our tile finishes for each individual tile. Tiles are specified on both sides of the tile frame.

NOTE: Reveal strips come standard tiles between our tiles, thus providing a finished look. However, when combining paint and fabric tackable tiles, reveal strips cannot be utilized.



Standard Tile Finishes & SKU's

After choosing your standard height(s), you will then select from the below tile finishes for each individual tile.

NOTE: Tile pricing is the same regardless of finish option. Please use our tile design checklist when requesting tile designs to be drawn through our design department. Contact your CSR for more information.

Tile Finish Options

Perforated Painted Metal (PPMT)

Our 18" bottom tile comes standard with perforated paint unless otherwise specified. Perforated painted tiles are available on 18" bottom tile only.

Fabric Tackable Acoustic (FTA)

Our standard fabric tiles are tackable acoustic. Choose from any of our standard fabric selections.

Laminate (LAM)

Four standard laminate options are available.

Glass (G/OT or G/OM)

Our glass tiles come standard with glass on one side and an open frame on the other. Glass on a top tile is denoted G/OT and glass on a middle tile is denoted G/OM. Glass cannot be used on 7" tiles or 8" stacker tiles.

Painted Metal Tile (PMT)

All standard paint options are available.

Open Tile (O/O)

Open tiles consist of open frames on both sides of the tile frame, thus allowing for open access.

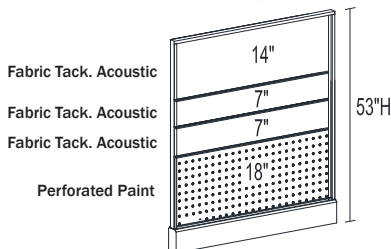
The below chart shows what finishes are available for each tile height.

Tile Height	Finish Options
7"	PMT FTA LAM
8" Stacker	PMT FTA LAM
14"	PMT FTA LAM G/OM (if tile is in middle) G/OT (if tile is on top) O/O
18"	PPMT (18" bottom tile only) PMT FTA LAM O/O (18" Stacker only)

Tile SKU #'s

Our standard SKU's denote the tile height, width, individual tile heights and finish options.

Example



SKU#: TS53XX187714.01

TS= Tile System

53= Total Frame Height

XX= Tile Width

18= Bottom Tile Height

7= 2nd from Bottom Tile Height

7= 3rd from Bottom Tile Height

14= 4th from Bottom Tile Height

.01= Standard Finish Option 1 (18" Perforated bottom + Fabric Tackable Acoustic tiles)

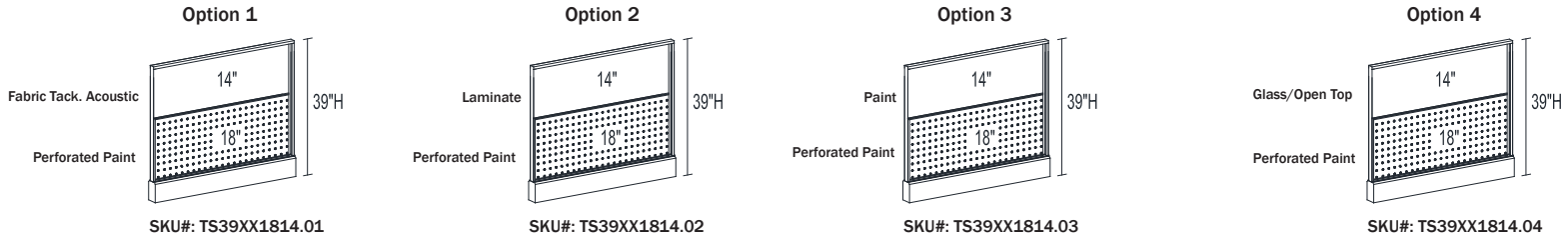
*See Standard Finish Options diagrams

Standard Tile SKU's

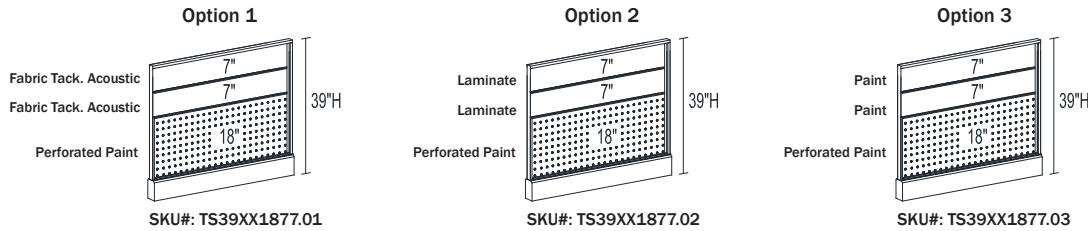
Although many different tile finish option combinations are available, we have developed standard tile SKU #'s to represent common configurations and finish options for simple specifying. These SKU's are set up in our 20/20 CAP and Giza libraries and can be drawn with the panel placer. Auto Connectors can be placed the same as if using our panel system since both systems utilize the same connectors. If you are drawing in our library and do not see the finish options you want in one of our standard SKU's, you can choose the SKU# closest to what you want, make notes on the drawing and notify your CSR as to what finishes you would like.



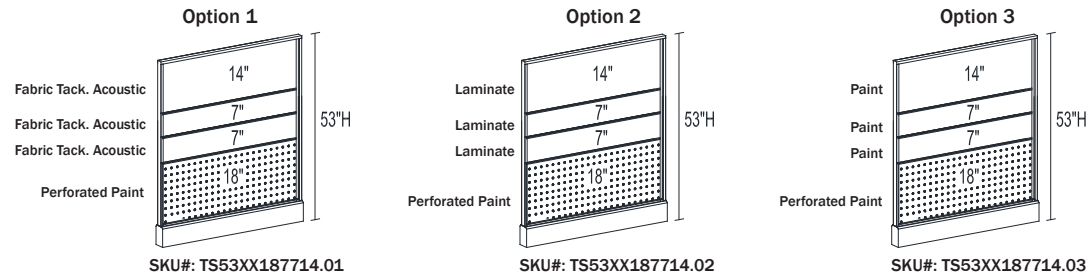
39"H 1814 Configuration



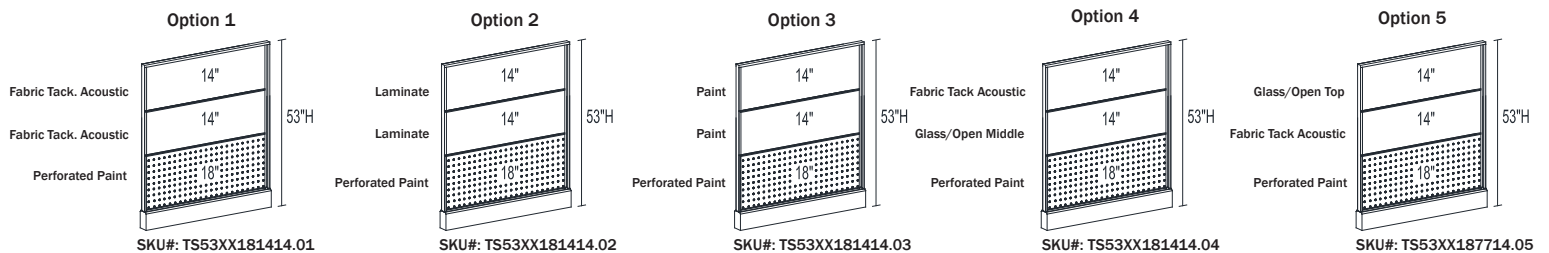
39"H 1877 Configuration



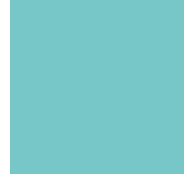
53"H 187714 Configuration



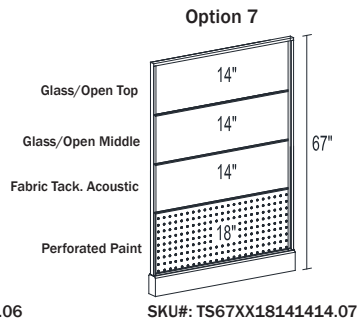
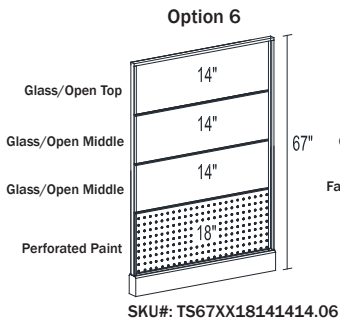
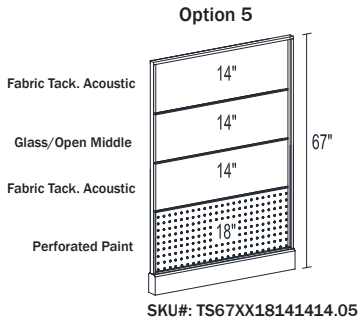
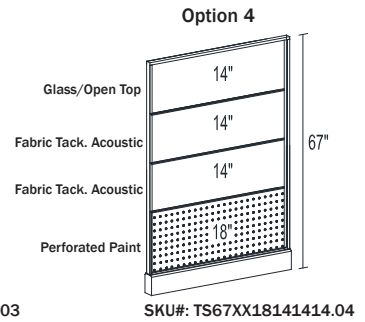
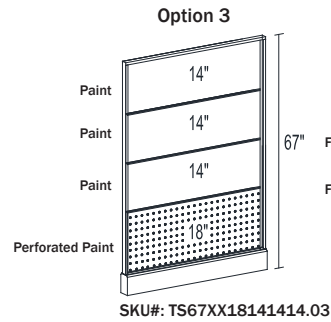
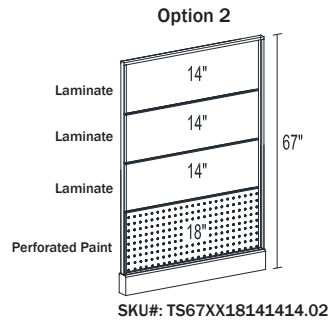
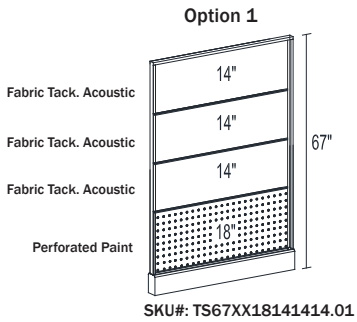
53"H 181414 Configuration



Standard Tile SKU's cont.



67"H 18141414 Configuration



67"H 18771414 Configuration

