

FREESTANDING 6X9-5

FREESTANDING TYPICAL



3D RENDERING

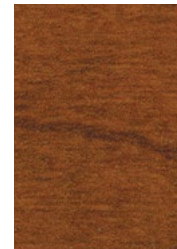
STATION SPECIFICATIONS

- Freestanding
- 6'x9'-5"
- Round side table
- Tackboards
- Overhead storage flipper door units
- Overhead storage shelf unit

FINISHES



FABRIC
Cape Cod Buff



SURFACE
Henna Cherry



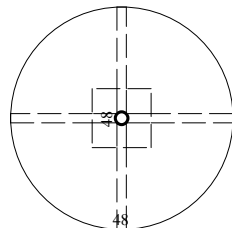
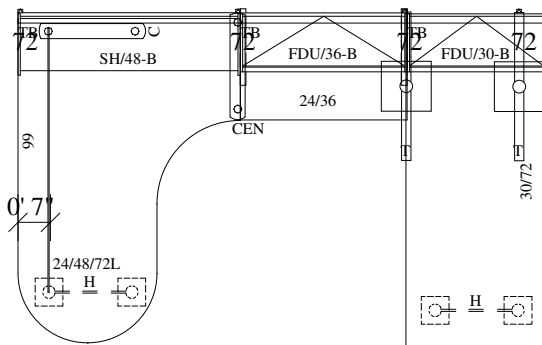
PAINT & EDGE
BU

PRICING

See next page for full BOM.

\$7,911.⁰⁰ LIST TOTAL

Typical pricing is for reference only.
Pricing must be confirmed via official
Price Book or Customer Service.



2D PLAN LAYOUT

FREESTANDING 6X9-5

FREESTANDING TYPICAL



PRICING

Part Number	Part Description	Qty	List	Ext List
RT48	48" Round Table (No Hardware Or Base)	1	\$719.00	\$719.00
WS2436	24 X 36 WORK SURFACE	1	\$379.00	\$379.00
MODPNL60	48.5" Modesty Panel For 60" Worksurface	1	\$445.00	\$445.00
ECCPEN244872L	24 X 48 X 72 -Lft. Ext. Curved (No Leg)	1	\$1,019.00	\$1,019.00
TT3072	30 X 72 Training Table Top (No Hardware Or Bases)	1	\$679.00	\$679.00
HLEG30	H-Leg For 30" Worksurface	2	\$435.00	\$870.00
WALLTRACK72	72" WALL TRACK (NO HARDWARE INCL.) NON PAINTED	4	\$80.00	\$320.00
SH4812B	48 X 12 SHELF - B STYLE	1	\$245.00	\$245.00
FDU3612B	36 X 12 FLIPPER DOOR UNIT- B STYLE	1	\$579.00	\$579.00
FDU3012B	30 X 12 FLIPPER DOOR UNIT- B STYLE	1	\$545.00	\$545.00
TB48B	48" X 16" TACKBOARD- B STYLE	1	\$245.00	\$245.00
TB36B	36" X 16" TACKBOARD- B STYLE	1	\$225.00	\$225.00
TB30B	30" X 16" TACKBOARD- B STYLE	1	\$209.00	\$209.00
XBASE48	X Base For 48" Round Table	1	\$989.00	\$989.00
CRNRLEG	Corner Leg 90 Degree, Accepts Modesty Panel	1	\$349.00	\$349.00
CANTSET30A2	24" CANTILEVER SET W/HARDWARE (L&R)	1	\$94.00	\$94.00

\$7,911.00 LIST TOTAL

Typical pricing is for reference only.
Pricing must be confirmed via official
Price Book or Customer Service.