

# 8X8 RECEPTION STATION

## OPS2 TILE SYSTEM TYPICAL

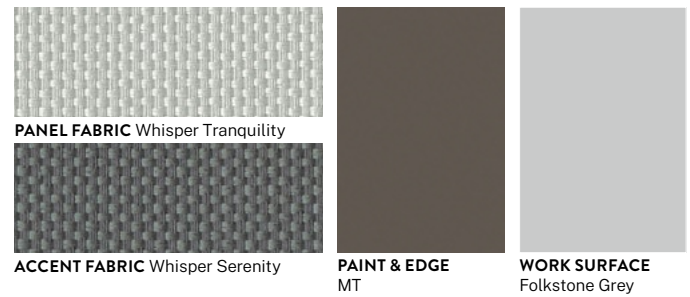


**3D RENDERING**

### STATION SPECIFICATIONS

- OPS2 Tile System
- 2-pack Reception Station
- 39", 67" panel heights
- BBF-FP storage pedestal
- FF-FP storage pedestal
- 2-drawer lateral file FP
- Keyboard set
- LED task lighting
- Base feed power
- 2 REC/Station
- Power down spine

### FINISHES

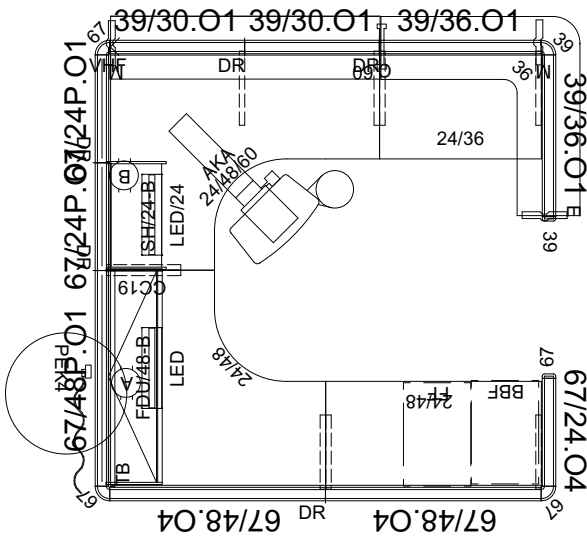


### PRICING

See next page for full BOM.

**\$24,246.<sup>00</sup> PRICE PER STATION**

Typical pricing is for reference only. Pricing must be confirmed via official Price Book or Customer Service.



**2D PLAN LAYOUT**

# 8X8 RECEPTION STATION

## OPS2 TILE SYSTEM TYPICAL



### PRICING

Part Number	Part Description	Qty	List	Ext List
2WY39A2	39" - 2 WAY CONNECTOR	1	\$145.00	\$145.00
2WY67A2	67" - 2 WAY CONNECTOR	3	\$185.00	\$555.00
AKAVALUE	Value Keyboard Set- Includes 21" Track Arm & 20" Tray, Wrist Rest & Mouse Tray	1	\$479.00	\$479.00
BBF-FP	BOX/BOX/FILE PEDESTAL FULL PULL 23"D W/O TOP	1	\$829.00	\$829.00
CB	CENTER BRACKET	2	\$47.00	\$94.00
CC60	60" COUNTER CAP	1	\$309.00	\$309.00
CCC4444RD	44 7/8X 44 7/8 Rounded Corner Cap - 36"W Panel	1	\$559.00	\$559.00
CCWS484824	48 X 48 X 24 CURVILINEAR CORNER WORK SURFACE	1	\$685.00	\$685.00
EB	END BRACKET	1	\$46.00	\$46.00
EC39A2	39" END CAP	1	\$69.00	\$69.00
EC67A2	67" END CAP	1	\$79.00	\$79.00
ECCWS482460R	48 X 24 X 60 CURVILINEAR CORNER SURFACE - RT EXT	1	\$999.00	\$999.00
FDU4812B	48 X 12 FLIPPER DOOR UNIT- B STYLE	1	\$665.00	\$665.00
FF-FP	FILE/FILE PEDESTAL FULL PULL 23"D W/OUT TOP	1	\$829.00	\$829.00
MEB	MID END BRACKET	2	\$46.00	\$92.00
PEK4 (L OR R)	4 CIR. BASE POWER ENTRY KIT	1	\$545.00	\$545.00
PTP34	34" PANEL TO PANEL CONNECTOR	2	\$30.00	\$60.00
PTP62	62" PANEL TO PANEL CONNECTOR	3	\$31.00	\$93.00
REC/A	A CIRCUIT DUPLEX RECEPTACLES	1	\$47.00	\$47.00
REC/B	B CIRCUIT DUPLEX RECEPTACLES	1	\$47.00	\$47.00
SH2412B	24 X 12 SHELF - B STYLE	1	\$209.00	\$209.00
TB48B	48" X 16" TACKBOARD- B STYLE	1	\$245.00	\$245.00
TLCM	Task Light Cord Manager (BU Only) 4'	1	\$22.00	\$22.00
TLN-LED-18-1	18" LED Task Light	1	\$399.00	\$399.00
TLN-LED-24-S	Conn. Cord adjoining 36" & 42" shelves	1	\$19.00	\$19.00
TLN-LED-S-1	LED Task Light w/ Motion Sensor and Power Supply	1	\$425.00	\$425.00
TS39301814.01	Non-Powered Tile Frame 3930.18PP.14F	2	\$855.00	\$1710.00
TS39361814.01	Non-Powered Tile Frame 3936.18PP.14F	2	\$1005.00	\$2010.00
TS672418141414.04	Non-Powered Tile Frame 6724.18PP.14F.14F.14G/OT	1	\$1325.00	\$1325.00
TS6724P18141414.01	Powered Tile Frame 6724P.18PP.14F.14F.14F	2	\$1609.00	\$3218.00
TS674818141414.04	Non-Powered Tile Frame 6748.18PP.14F.14F.14G/OT	2	\$2105.00	\$4210.00
TS6748P18141414.01	Powered Tile Frame 6748P.18PP.14F.14F.14F	1	\$2389.00	\$2389.00
VHF	VARIABLE HEIGHT FILLER - PANEL TO CONNECTOR	1	\$35.00	\$35.00
WS2436	24 X 36 WORK SURFACE	1	\$379.00	\$379.00
WS2448	24 X 48 WORK SURFACE	1	\$425.00	\$425.00

**\$24,246.<sup>00</sup> PRICE PER STATION**

Typical pricing is for reference only.  
Pricing must be confirmed via official  
Price Book or Customer Service.