

XPAND SYSTEM

SPECIFICATION GUIDE

TABLE OF CONTENTS

XPAND REACH BENCHING

Determine Your Station Size.....	3
Select Your End Leg Assembly	3
Select Your Stretcher Bar Set	4
Select Your Mid Leg Assembly.....	4
Select Your Table Tops.....	5
Select Your Power Entry.....	5
Select Your Power Accessories.....	6
Select Your Screens.....	7
Select Your Accessories.....	8
Multiply and add End Leg Assembly.....	8
Other Benching Configurations.....	9

XPAND UP SIT-STAND

Determine Your Station Size.....	10
Select Your Table Tops.....	10
Select Your Power Entry.....	10
Select Your Power Accessories.....	11
Select Your Accessories.....	12
Multiply and add Table Link	13

DETERMINE YOUR STATION SIZE

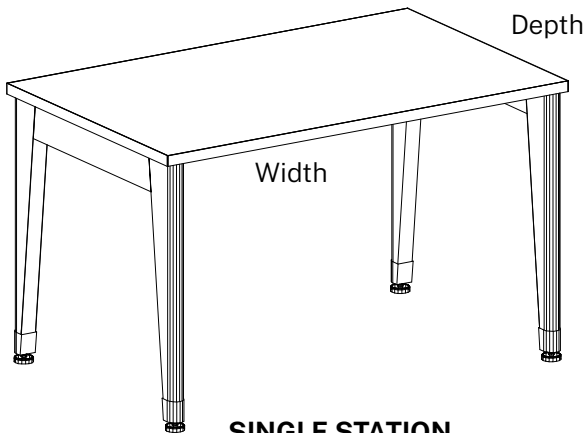
(i.e. 24"D x 48"W)

Stations can be single (stationary or side by side) or double (facing each other).

OPTIONS

Single: Single station or single side-by-side stations. Stations don't face each other.

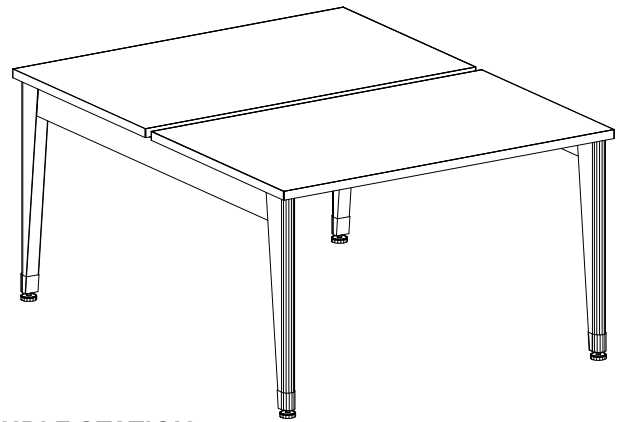
Double: Stations face each other.



SINGLE STATION

Depths: 24, 30 and 36"D

Widths: 36, 42, 48, 60, 72 and 84"W



DOUBLE STATION

Depths: 24 and 30"D

Widths: 36, 42, 48, 60, 72 and 84"W

SELECT YOUR END LEG ASSEMBLY

End leg assemblies support both ends of an XPand Reach Benching system.

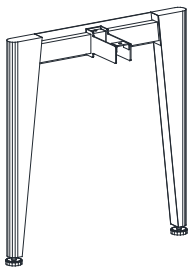
OPTIONS

Tapered Leg- Made of cast aluminum: Designer look, aesthetically pleasing.

Rectangular Leg- Made of steel: Greater cost savings, wider leg.

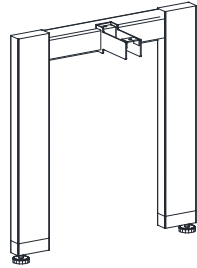
SINGLE

Tapered
(Cast Aluminum)



Sizes: 24", 30", or 36"

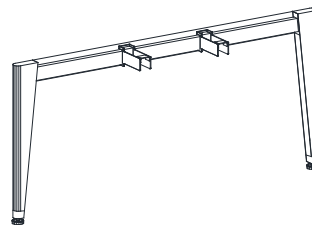
Rectangular
(Steel)



Sizes: 24", 30", or 36"

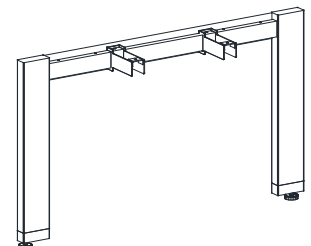
DOUBLE

Tapered
(Cast Aluminum)



Sizes: 48" or 60"

Rectangular
(Steel)



Sizes: 48" or 60"

NOTE: For single stations, select end leg assembly size to match table top depth.

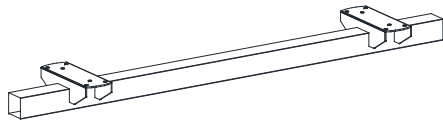
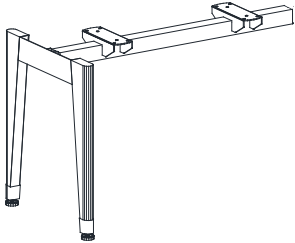
NOTE: For double stations, select end leg assembly size double the table top depth.

SELECT YOUR STRETCHER BAR SET

Use stretcher bars to support your table tops. Select size that matches table top width and depth.

SINGLE

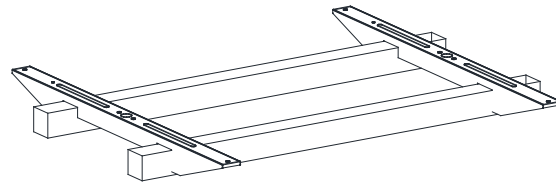
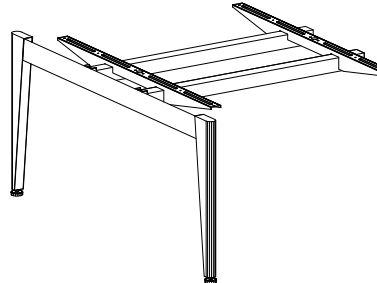
Used with single end legs



Widths: 36", 42", 48", 60", 72", or 84"

DOUBLE

Used with double end legs



Widths: 36", 42", 48", 60", 72", or 84"

Depths: 24" or 30"

SELECT YOUR MID LEG ASSEMBLY

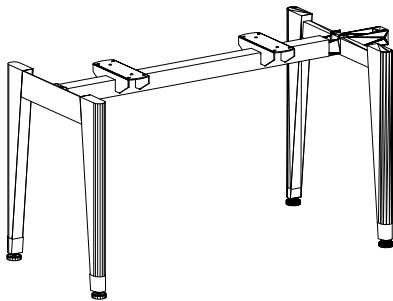
Mid leg assemblies are used to connect stations together in the middle where two stretcher bars join.

OPTIONS

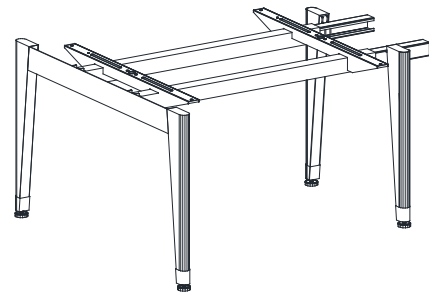
Tapered Leg- Made of cast aluminum: Designer look, aesthetically pleasing.

Rectangular Leg- Made of steel: Greater cost savings, wider leg.

SINGLE



DOUBLE

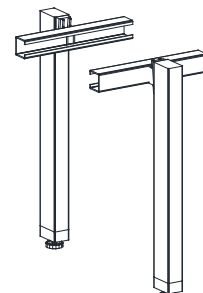
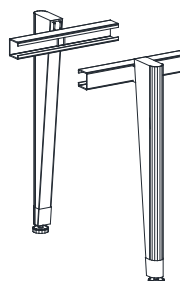
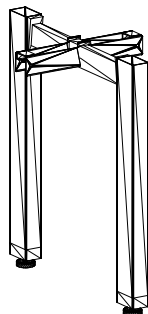
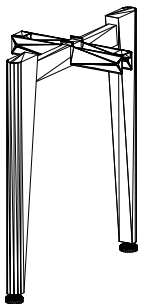


Tapered
(Cast Aluminum)

Rectangular
(Steel)

Tapered
(Cast Aluminum)

Rectangular
(Steel)



SELECT YOUR TABLE TOPS

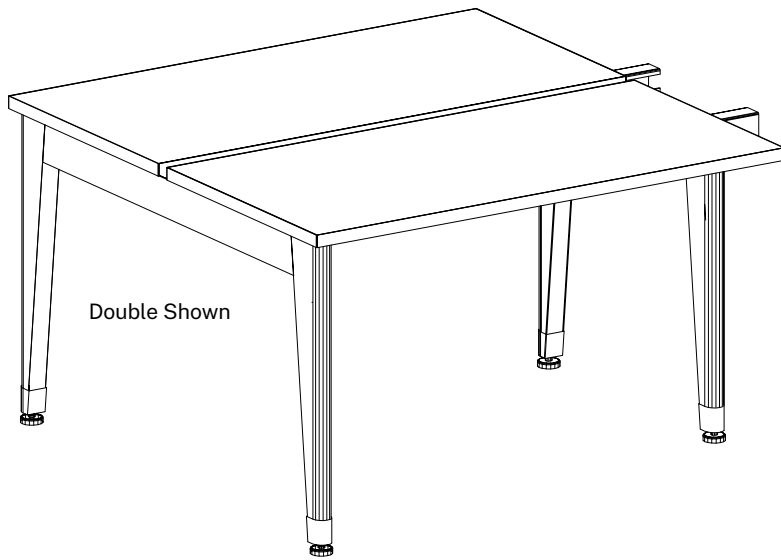
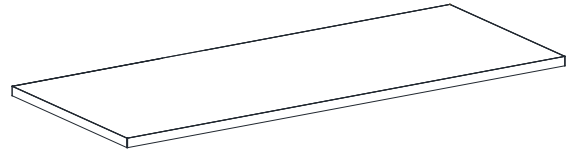


TABLE TOP



Widths: 36", 42", 48", 60", 72", or 84"

Depths: 24" or 30"

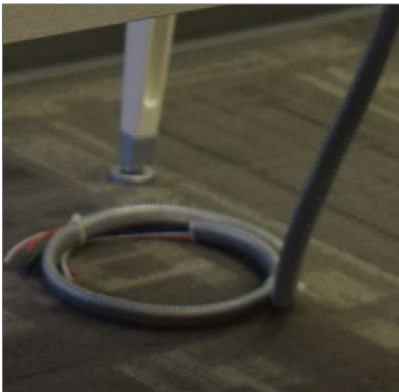
NOTE: 36"D is available for single stations only. Grommets are specified separately.

NOTE: Two tops are needed for double stations. One top is needed for single stations.

SELECT YOUR STATION POWER ENTRY

The power for your station is specified by choosing between a base and a ceiling option

BASE FEED



NOTE: Available in 3 wire or 8 Wire power.

CEILING FEED



NOTE: Available in 8 wire power only.

SELECT YOUR POWER ACCESSORIES

OPTIONS

POWER BLOCK



NOTE: Power jumpers connect power blocks together within stations. The size used should match the width of the stations.

POWER JUMPER

3 Wire
(1 Circuit Jumper)



POWER JUMPER

8 Wire
(3 Circuit Jumper)



Example: A 3-Pack 72"W station group with floor entry power needs three 3 Wire Power Blocks and two 72" Jumpers to connect the Power Blocks together.

NOTE: Power jumpers connect power blocks together within stations. The size used should match the width of the stations.

DUPLEX

Desk Mount System



Only available to plug into power block system

Cable Tray System



*Must have cable tray for duplex

Only available to plug into power block system

DUPLEX w USB

Desk Mount System



Only available to plug into power block system

Cable Tray System



*Must have cable tray for duplex

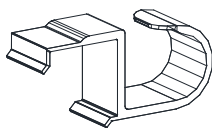
Only available to plug into power block system

WIRE MANAGEMENT



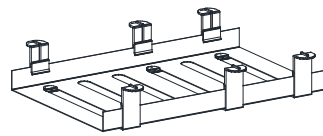
Connects underneath work surfaces to hide base entry power cables.

CABLE HOLDER CLIP



Cable holder clips are a less expensive alternative to cable trays, and are recommended for single stations. They fit over the mid-leg connectors to hold wires out view.

CABLE TRAY



Cable trays are recommended for dual powered benching stations. They hold the power block and jumper cables and hide them from view. They cannot be used in single stations.

Sizes Available: 18", 24" and 30"

		TRAY		
		18"	24"	30"
TABLE TOP WIDTH	36"	1	0	0
	42"	0	0	1
	48"	0	0	1
	60"	0	2	0
	72"	3	0	0
	84"	1	0	2

Note: Cable trays should equal the width of the table top as shown on the chart.

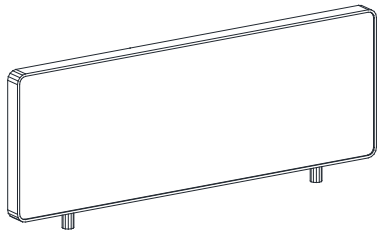
SELECT YOUR SCREENS (SPINE)

Screens are available in both fabric and glass finishes to help add accents or divisions to any XPand station. All Screens are 14" high with varying widths based on your needs.

FABRIC OR LAMINATE

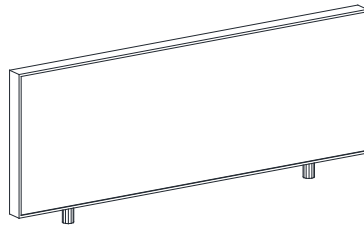
Rounded Edge

Available in 1^{7/8}" thickness



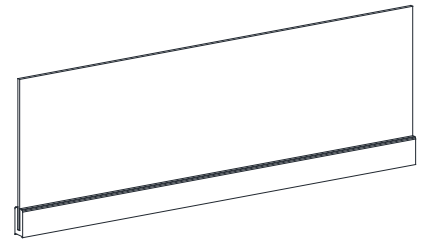
Square Edge

Available in 1^{7/8}" or 1^{1/4}" thickness



GLASS

Available in clear or frosted finish



Widths: 36", 42", 48", 60", 66", or 72"

Widths: 36", 42", 48", 60", 66", or 72"

Widths: 36", 42", 48", 60", 66", or 72"

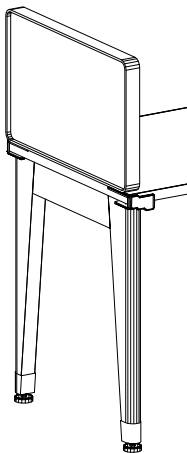
NOTE: Screens next to power poles must be specified 2" shorter to accommodate power poles. If power pole is in the center of a run with screens, only one screen next to a power pole needs to be 2" shorter. Screens for single run stations must specify a special bracket for proper installation.

SELECT YOUR SCREENS (RETURN)

FABRIC OR LAMINATE

Single Panel

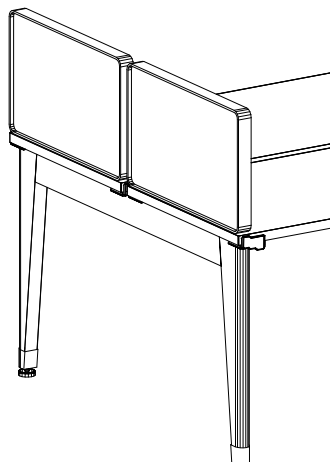
Available with rounded or square edges



Sizes: 24", 30" or 36"

Dual Panel

Available with rounded or square edges

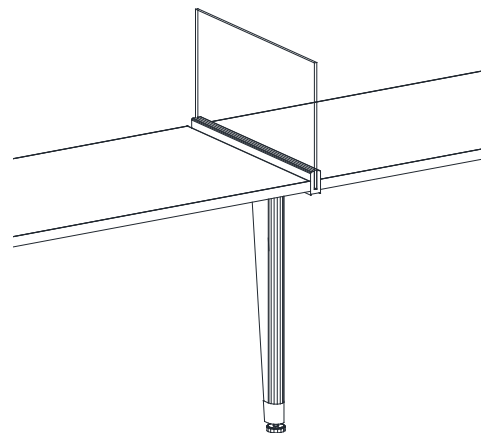


Sizes: 24", 30" or 36"

NOTE: Fabric screens are available as tackable screens for a 10% List upcharge.

GLASS

Available in clear or frosted finish



Sizes: 24", 30" or 36"

NOTE: Special Return mid legs (-RS) must be used with glass divider screens to accommodate extra space for the glass screen.

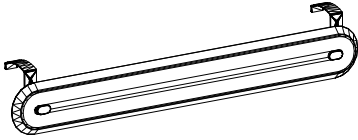
There is a different SKU for glass return screens on the end of a run vs in the middle of a run.

SELECT YOUR ACCESSORIES

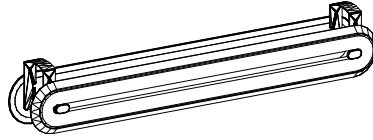
OPTIONS

ACCESSORY RAIL

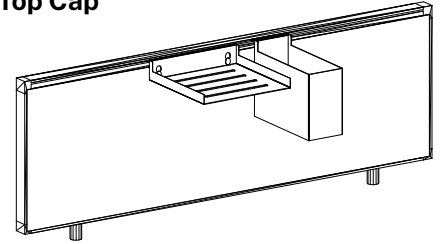
Single sided



Dual sided

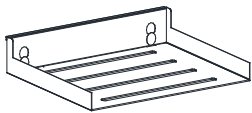


Top Cap

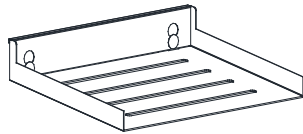


ACCESSORY RAIL TRAYS

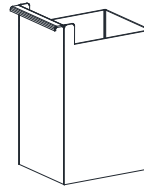
Phone Tray



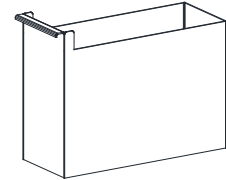
Paper Tray



Pen Tray

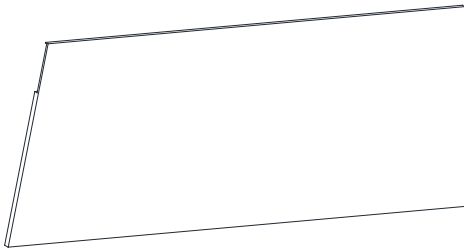


Box Tray



NOTE: Screen accessories are only available with fabric screens. The Top Cap Accessory Rail is only available on square edge fabric screens.

MODESTY PANELS



Sizes: 48", and 60"

NOTE: Modesty panels are only available for stations using dual cast aluminum legs.

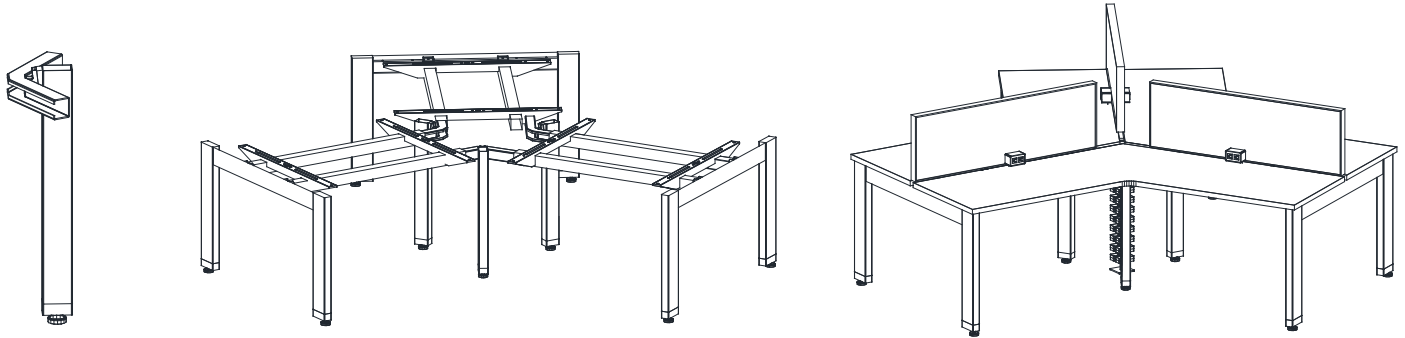
MULTIPLY AND ADD END LEG ASSEMBLY

Copy your stations as needed to achieve the desired number of stations in run.
Add your end leg assembly to the other end of the station run.

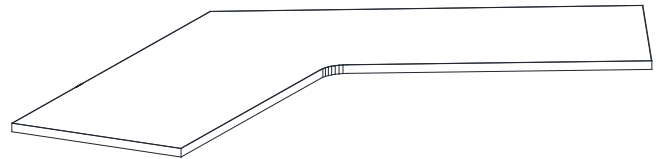
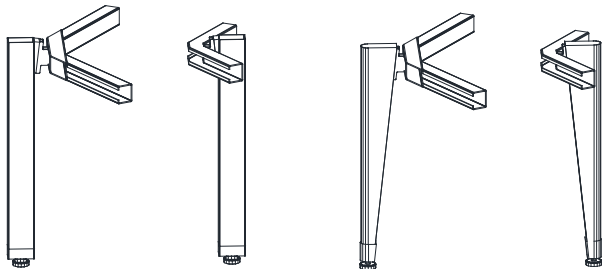
OTHER BENCHING CONFIGURATIONS

120 DEGREE STATIONS

120 Degree stations are designed by attaching our 120 Degree XPand legs onto our existing XPand legs and stretcher bars as shown below to create a unique station or standalone 120 Degree corner table.



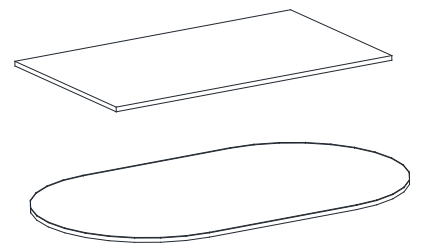
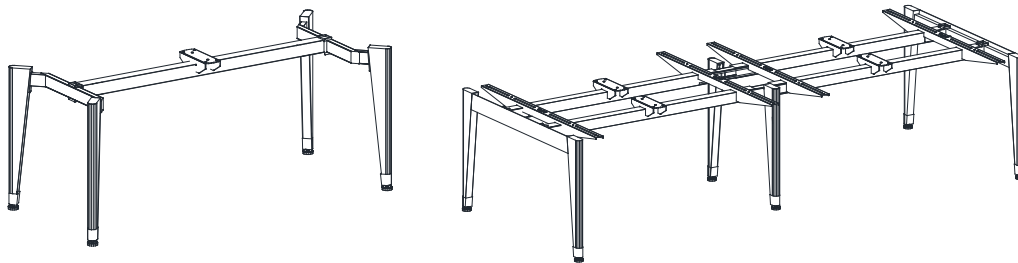
120 DEGREE CORNER TABLE



Dimensions: 24" D with 36"x36", 42"x42", 48"x48", 60"x60" W

CONFERENCE TABLE

Can be configured with angled or straight legs as show below. Available with rectangular or racetrack style tops.

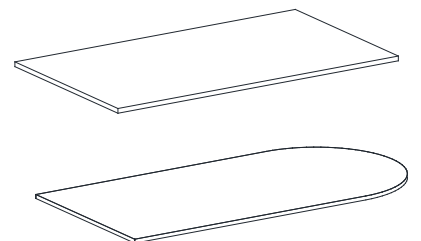
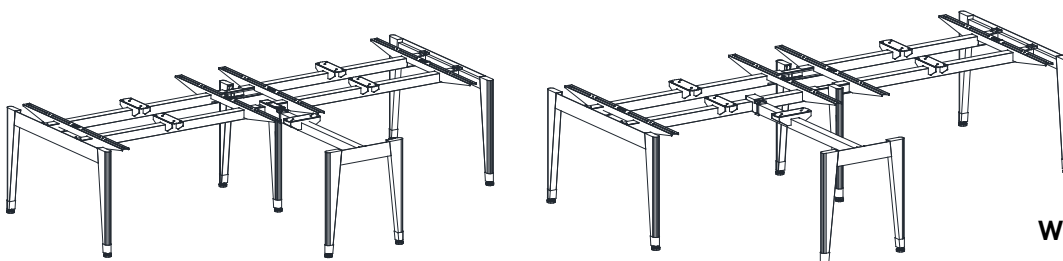


Widths: 60", 72", 84", and 96"

Depths: 36", 42" and 60"

PENINSULA RETURNS

Peninsula return brackets allow you to attach a perpendicular return surface to an existing XPand legs and stretcher bar configuration. Available with rectangular and peninsula return work surfaces.



Widths: 36", 42", 48", 60", 72", and 84"

Depths: 24", 30" and 36"

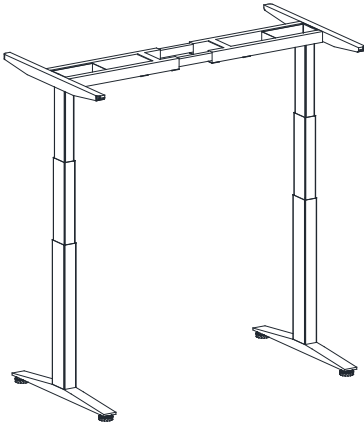
DETERMINE YOUR STATION SIZE

(i.e. 24"D x 48"W)

Stations can be single or dual (facing away from each other).

Single: Single station or single side-by-side stations. Stations don't face each other.

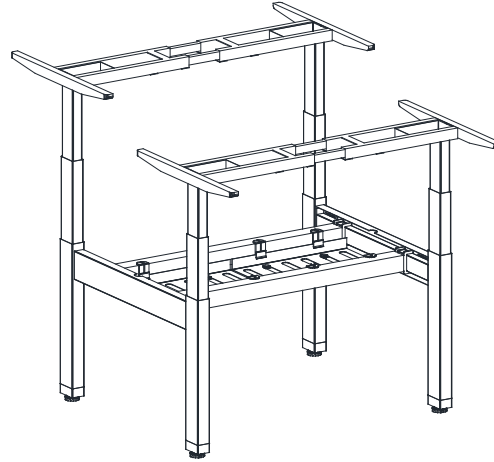
Double: Stations face each other.



SINGLE STATION

Depths: 30" and 36"

Widths: 48", 60", and 72"



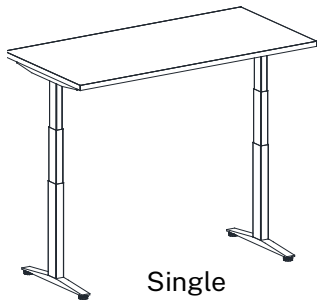
DUAL STATION

Depths: 30" and 36" (on each side)

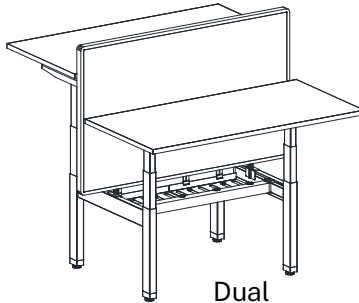
Widths: 60" and 72"

SELECT YOUR TABLE TOPS

XPand Up Sit-Stand stations use our standard rectangular work surfaces. Dual stations will require two separate work surfaces.



Single



Dual



Sizes: 48", 60", and 72"

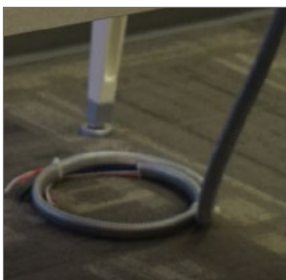
Depths: 30" and 36"

NOTE: 48" tops are only available for single stations

SELECT YOUR STATION POWER ENTRY

The power for your station is specified by choosing between a base and a ceiling option.

BASE FEED



NOTE: Available in 3 wire or 8 Wire power.

CEILING FEED



NOTE: Available in 8 wire power only.

SELECT YOUR POWER ACCESSORIES

OPTIONS

POWER BLOCK



NOTE: Power jumpers connect power blocks together within stations. The size used should match the width of the stations.

POWER JUMPER

3 Wire
(1 Circuit Jumper)



POWER JUMPER

8 Wire
(3 Circuit Jumper)



Example: A 3-Pack 72"W station group with floor entry power needs three 3 Wire Power Blocks and two 72" Jumpers to connect the Power Blocks together.

NOTE: Power jumpers connect power blocks together within stations. The size used should match the width of the stations.

DUPLEX
Desk Mount System



Only available to plug into power block system

Cable Tray System



*Must have cable tray for duplex

Only available to plug into power block system

DUPLEX w USB
Desk Mount System



Only available to plug into power block system

Cable Tray System



*Must have cable tray for duplex

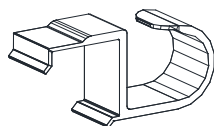
Only available to plug into power block system

WIRE MANAGEMENT



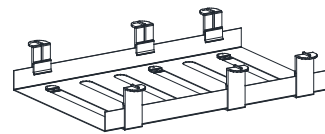
Connects underneath work surfaces to hide base entry power cables.

CABLE HOLDER CLIP



Cable holder clips are a less expensive alternative to cable trays, and are recommended for single stations. They fit over the mid-leg connectors to hold wires out view.

CABLE TRAY

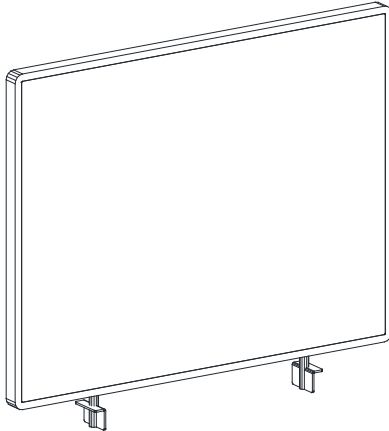


Cable trays are recommended for dual powered benching stations. They hold the power block and jumper cables and hide them from view. They cannot be used in single stations.

SELECT YOUR ACCESSORIES

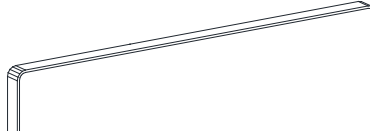
FABRIC SCREEN

All fabric screens are 35" high.



Rounded Edge

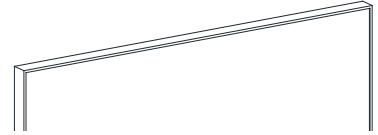
Available in 1⁷/₈" thickness



Sizes: 48", 60", or 72"

Square Edge

Available in 1⁷/₈" or 1¹/₄" thickness

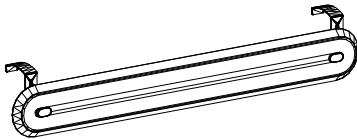


Sizes: 48", 60", or 72"

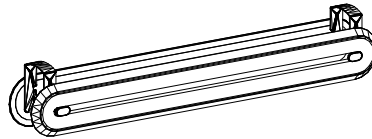
NOTE: Fabric screens are available as tackable screens for a 10% upcharge.

ACCESSORY RAIL

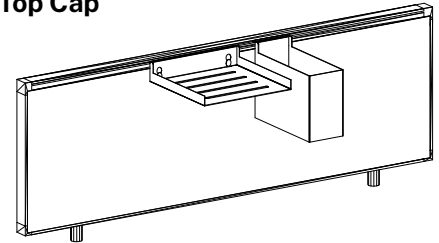
Single sided



Dual sided

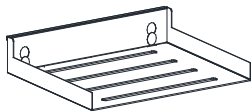


Top Cap

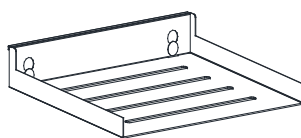


ACCESSORY RAIL TRAYS

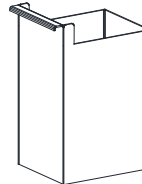
Phone Tray



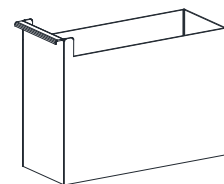
Paper Tray



Pen Tray



Box Tray

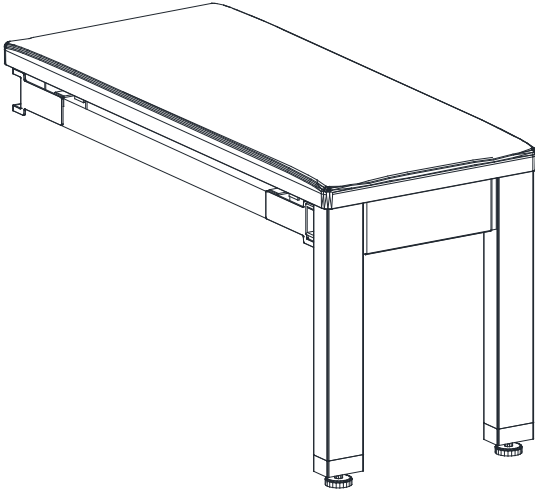


SELECT YOUR ACCESSORIES

OPTIONS

BENCH SEAT

MANAGERS STATION



MULTIPLY AND ADD TABLE LINK

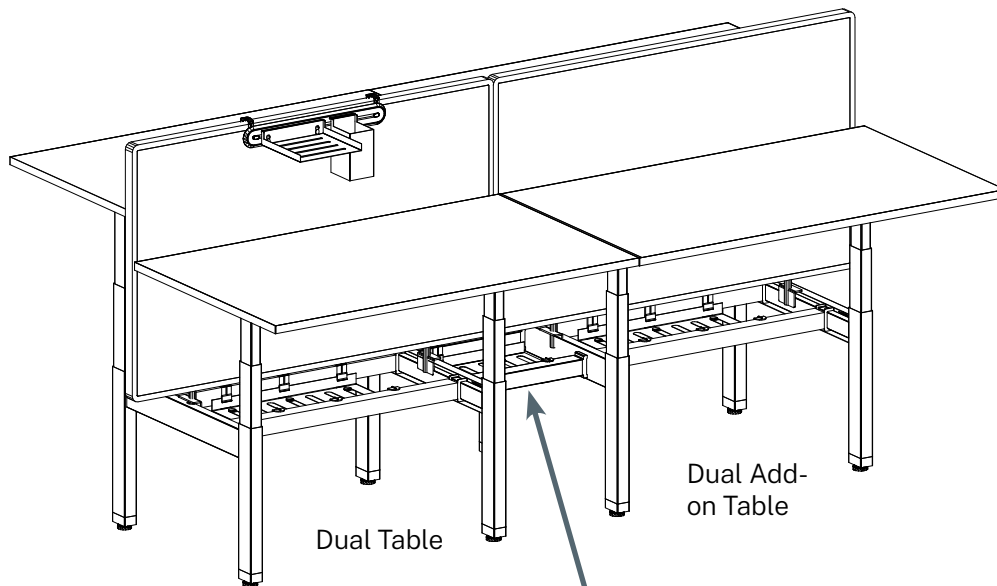


TABLE LINK

After using a link, you must specify the next table(s) as a Dual Add-on table.

