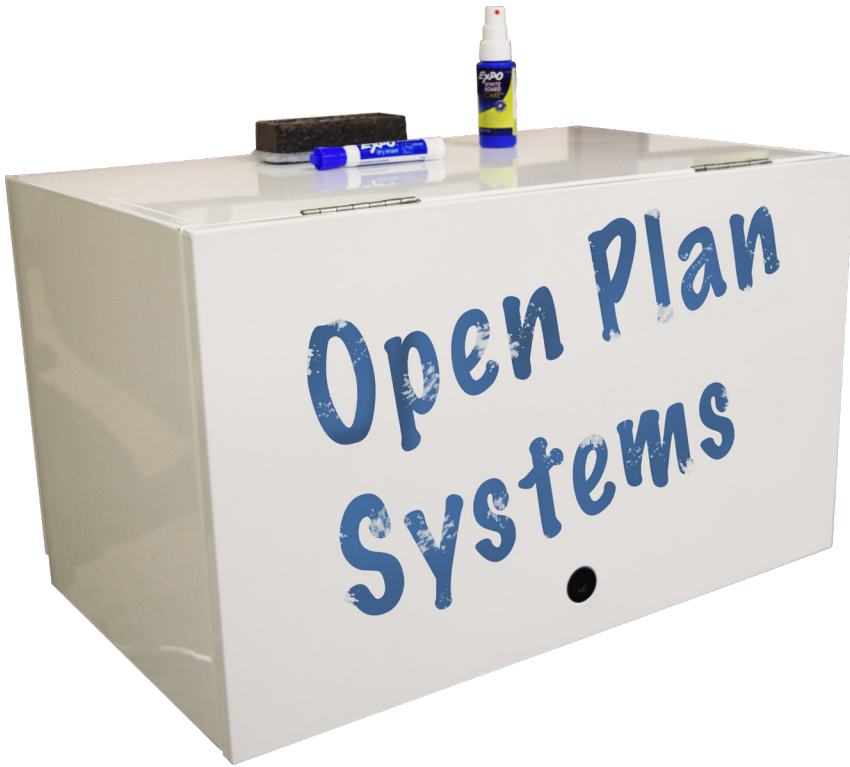


# OVERHEAD STORAGE

## FLIPPER DOOR SPECIFICATION



### FINISH OPTIONS:



BU



HF



LT



MS



MT



WF

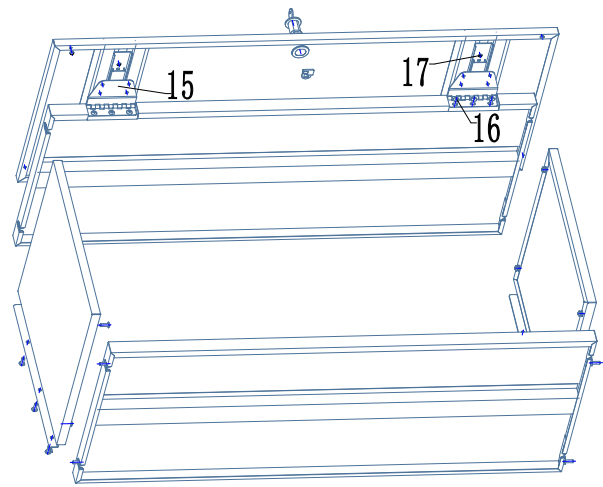
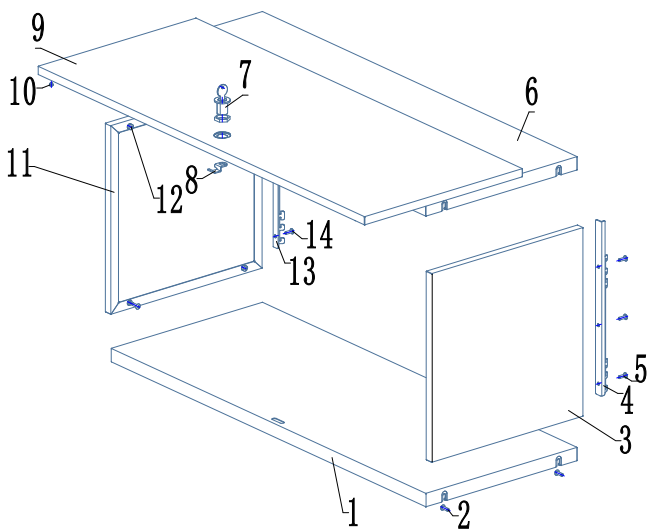
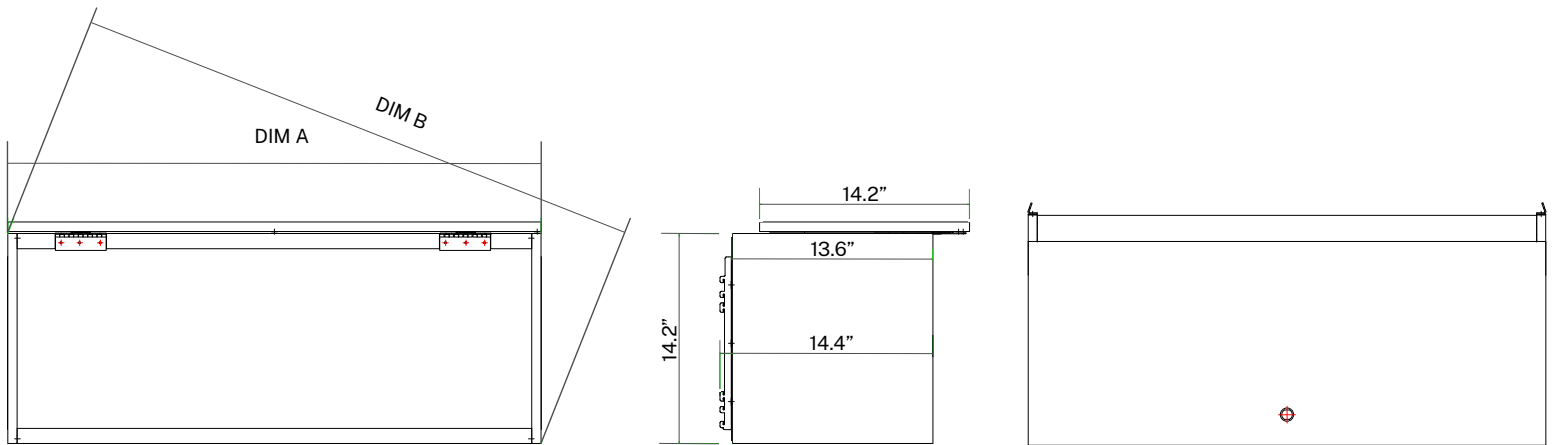


Note: Optional white marker-board material is available at no additional charge!

PRICING LIST		
SKU	DESCRIPTION	LIST
<b>FLIPPER DOOR</b>		
OHS-MFD24	Overhead metal FD unit 24W	\$545
OHS-MFD30	Overhead metal FD unit 30W	\$579
OHS-MFD36	Overhead metal FD unit 36W	\$665
OHS-MFD42	Overhead metal FD unit 42W	\$729
OHS-MFD48	Overhead metal FD unit 48W	\$819
OHS-MFD60	Overhead metal FD unit 60W	\$879
<b>SHELF</b>		
OHS-MSH24	Overhead metal SHELF unit 24W	\$235
OHS-MSH30	Overhead metal SHELF unit 30W	\$255
OHS-MSH36	Overhead metal SHELF unit 36W	\$279
OHS-MSH42	Overhead metal SHELF unit 42W	\$319
OHS-MSH48	Overhead metal SHELF unit 48W	\$339
OHS-MSH60	Overhead metal SHELF unit 60W	\$389

# OVERHEAD STORAGE

## FLIPPER DOOR SPECIFICATION



SKU	DIM A	DIM B
OHS-MFD24	24"	27.9"
OHS-MFD30	30"	33.2"
OHS-MFD36	36"	38.7"
OHS-MFD42	42"	44.3"
OHS-MFD48	48"	50"
OHS-MFD60	60"	61.7"

PART	Description	QTY
1	Cabinet Bottom	1
2	Hex Screws for Bottom	4
3	Right Side Wall	1
4	Right Side Hanging Rock	1
5	Screws for Right side Wall and Hanging Rock	3
6	Cabinet Top	1
7	Door Key and Lock	1
8	Door Lock Hook	1
9	Flipper Door	1
10	Door Cushion	4

PART	Description	QTY
11	Left Side Wall	1
12	Hex Screws for Top	4
13	Left Side Hanging Rock	1
14	Screws for Left Side Wall and Hanging Rock	3
15	Flipper Door Rail	2
16	Screws for Door Rail and Top	6
17	Screws for Door Rail and Door	6