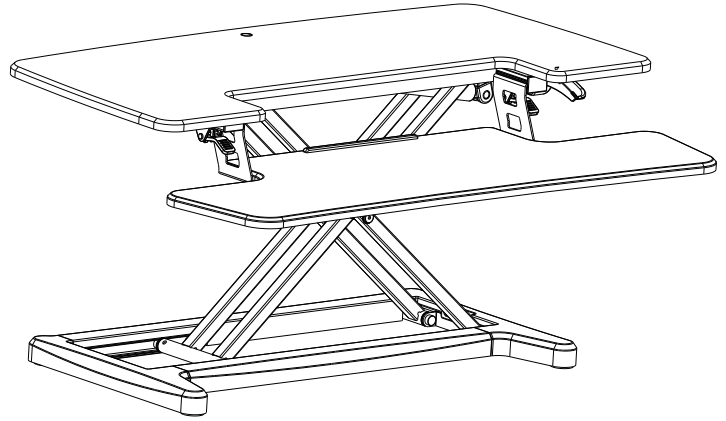
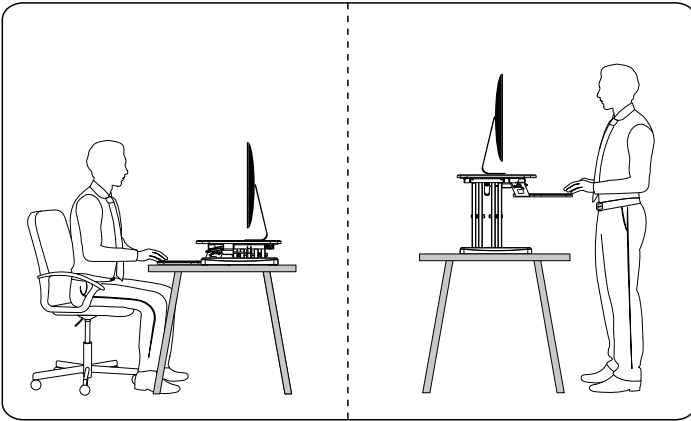


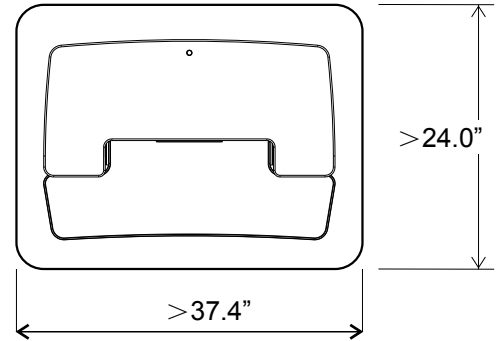
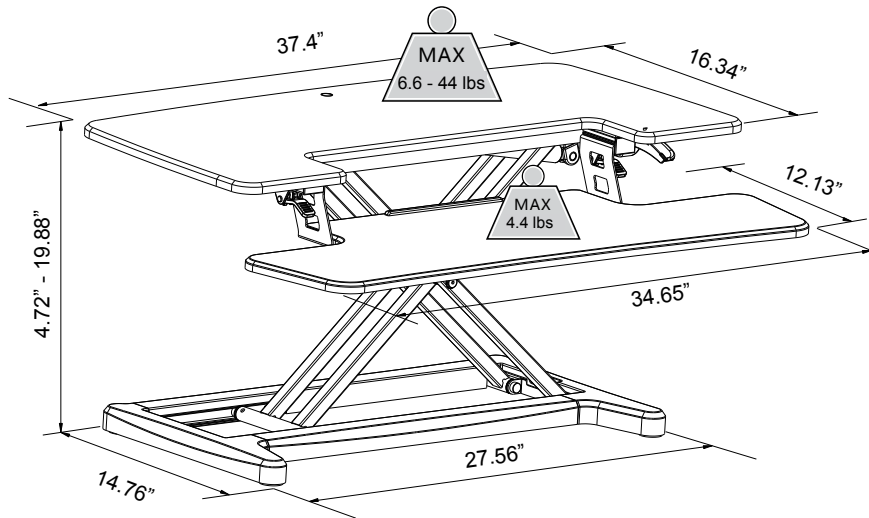
DTR-CR

Installation Guide



Technical Data

Table Size:



WARNING Please do not exceed the maximum WARNING bearing weight

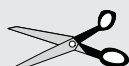
Loading range	6.6 - 44 lbs
Height adjustment range	4.72" - 19.88"

Accessory Package List

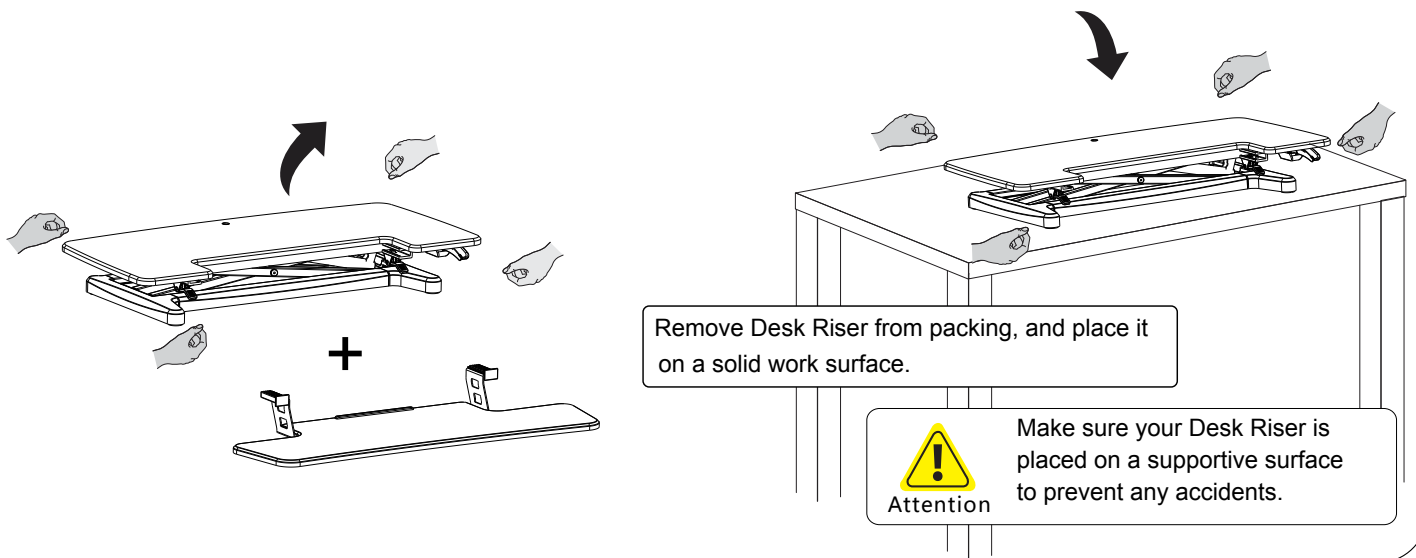


No.	Spare part	No.	Spare part	No.	Spare part
A	 x1	B	 x1	C	 x4
D	 x1				

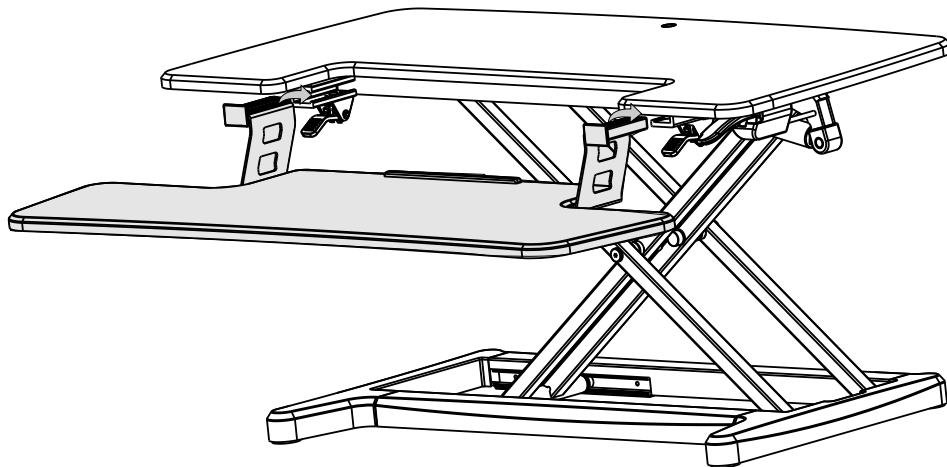
TOOLS



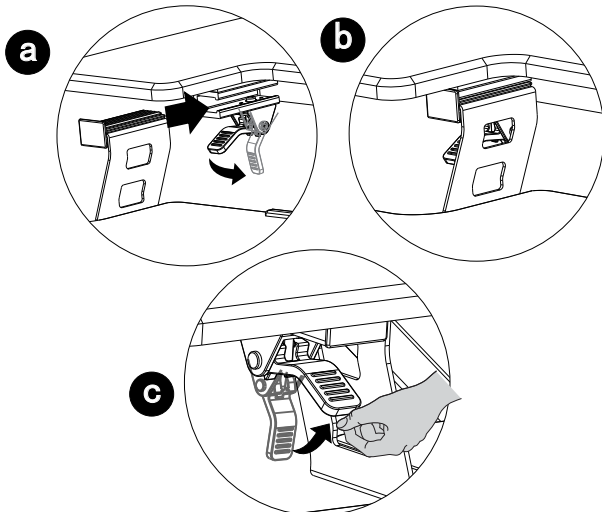
ASSEMBLY STEP 1



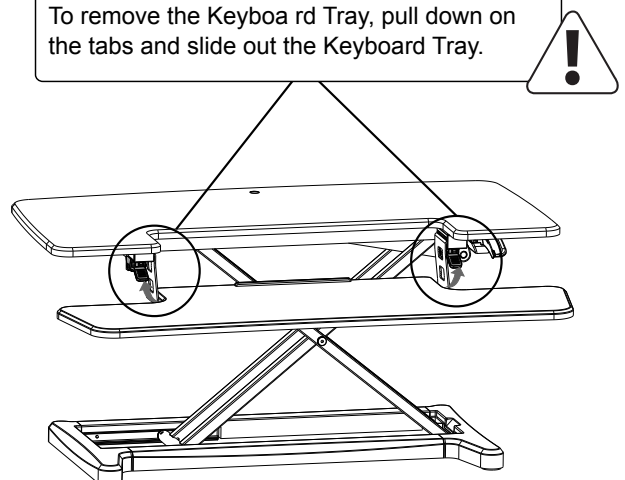
ASSEMBLY STEP 2



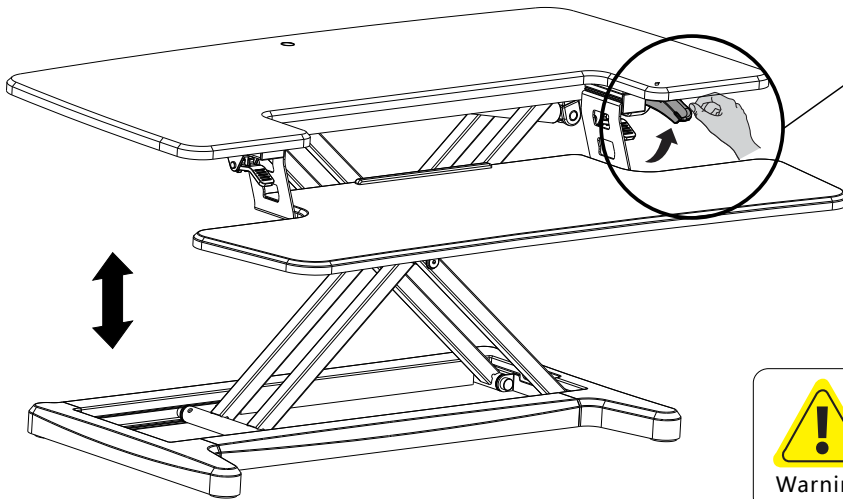
Slide the Keyboard Tray into place, then secure by pulling up the tabs below.



To remove the Keyboard Tray, pull down on the tabs and slide out the Keyboard Tray.



ASSEMBLY STEP 3



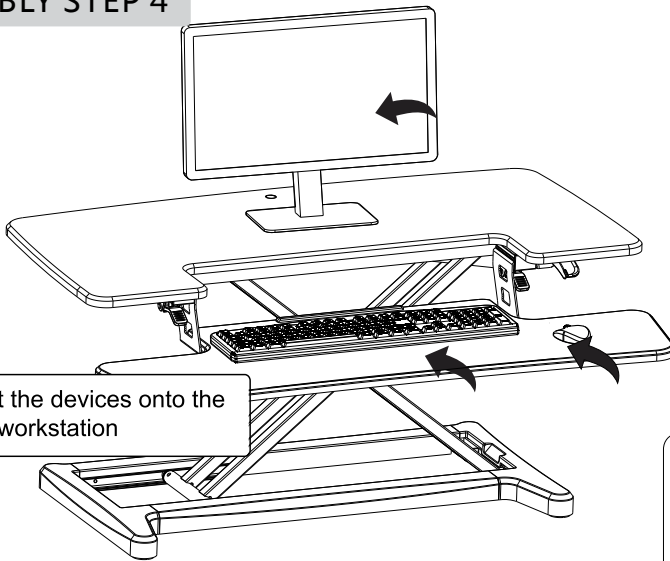
Based on the actual usage, press the handle on one side, and adjust the workstation to the proper height



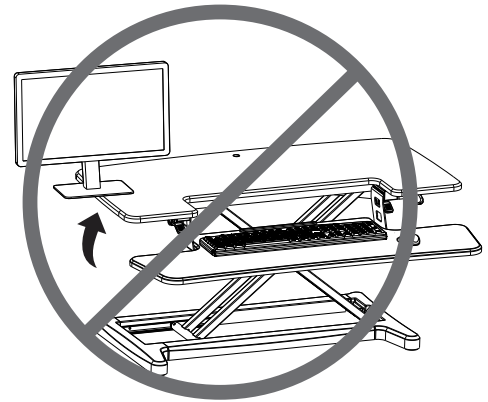
Warning

Keep hands and other items away from supporting bars. They may cause injuries or break objects while being adjusted.

ASSEMBLY STEP 4



Please put the devices onto the top of the workstation



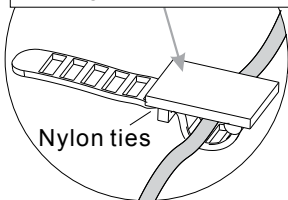
Careful

Make sure all equipment is placed safely within the work surface to prevent any damage or injuries.

ASSEMBLY STEP 5

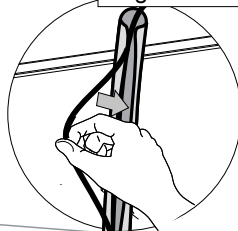
2

This surface is with glue, helping to fix the cable management on the table

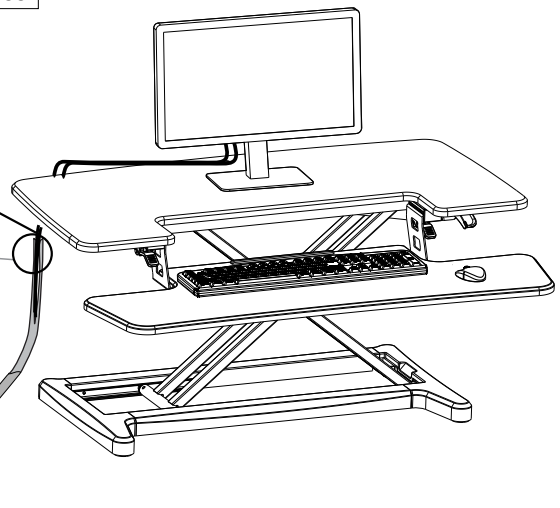


1

Use the cable management to guide and bundle the cables



Cable



Careful

Adhesive buckle helps to make the cables tidy and clean. Please leave enough length of cable for height adjustment function, otherwise it may cause unexpected lost.



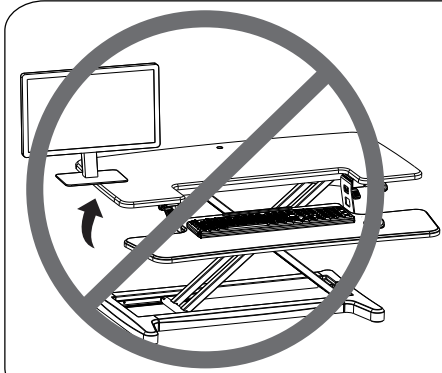
WARNING

Hands Pinching
Do not place your hand near the strut.
Strut's angle will change during the desktop
lift and it may hurt you.



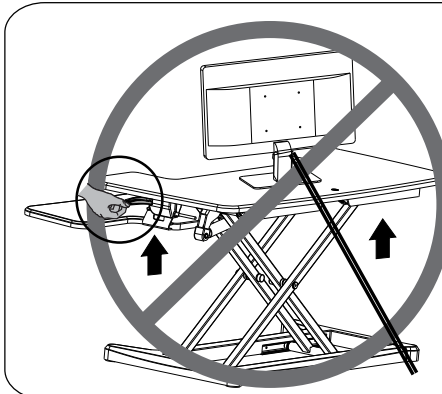
Warning

Please do not put hands near the supporting bars,
as they change during adjusting and may hurt you.



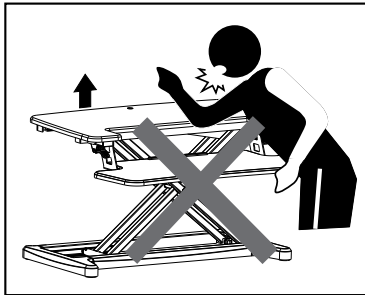
Attention

Make sure all equipment is placed safely
within the work surface to prevent any
damage or injuries.



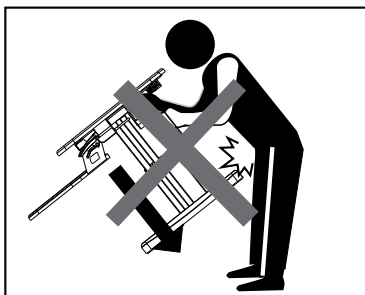
Attention

Please leave enough length of cable for
height adjustment function, otherwise it
may cause unexpected lost.



Attention

To remove the Keyboard Tray, pull down on
the tabs and slide out the Keyboard Tray.



Attention

Please move it by two persons, or
parts may collide and cause damage.