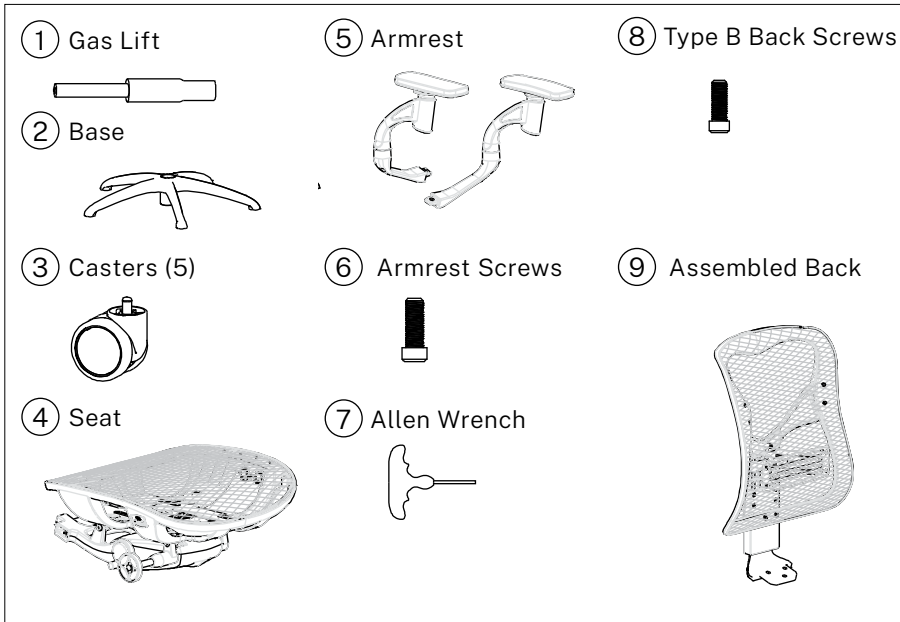


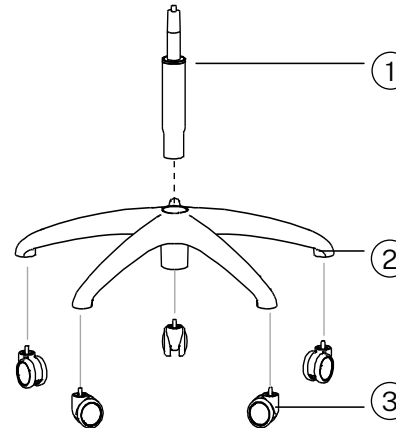
A22 ASPIRE

ASSEMBLY GUIDE



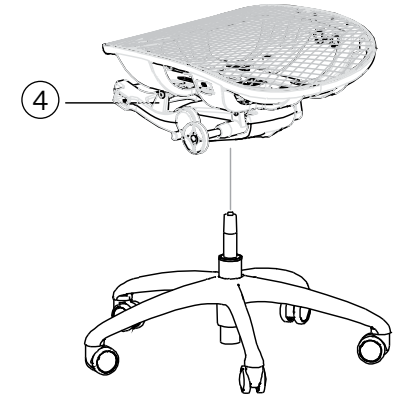
STEP 1:

1. Insert 5 casters onto base
2. Insert gas lift into base



STEP 2:

1. Insert seat into gas lift



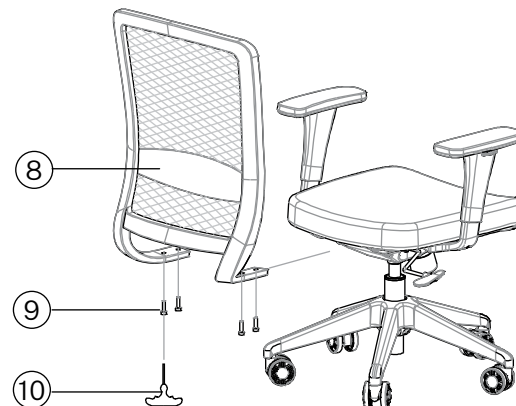
STEP 3:

1. Insert armrests into the seat
2. Tighten screws



STEP 4:

1. Insert assembled back into the seat
2. Tighten screws



Maintenance and Attention

1. Make sure the chair can only carry one person at a time.
2. Do not use the chair as a step stool or ladder.
3. Do not use the chair before all parts are properly assembled.
4. Do not use chair unless all screws have been tightened.
5. If destroyed by outside forces or defect work, stop use the chair until repaired.
6. For your safety, the instructions listed above must be strictly observed.

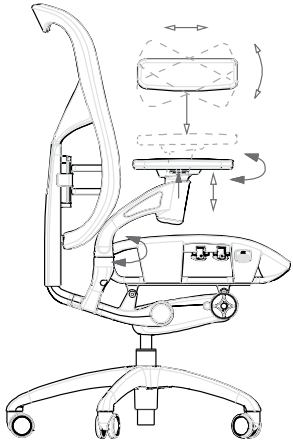


A22 ASPIRE

USER GUIDE

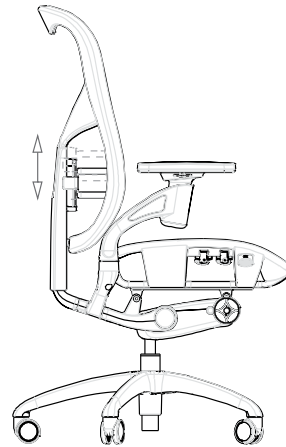
Armrest Adjust:

1. The height of the armrest can be adjusted freely by pressing the button under each armrest.
2. Armrest can adjust in/out manually.



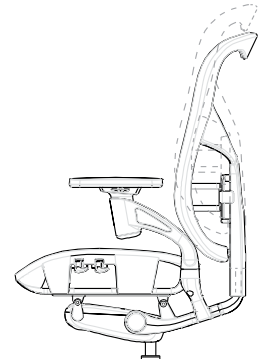
Height of Lumbar Support

1. The lumbar support could be up and down manually by pulling the handle (Some models are without tandem function)



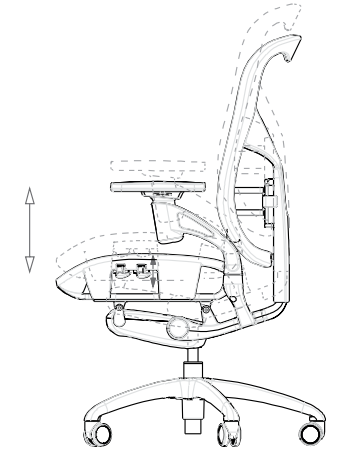
Seat Height and Tilt angle Backrest:

1. Adjust the height of the backrest up and Down.
2. It has five positions. It will drop to the lowest position automatically after raising it to the highest position.
3. Please adjust the height to the most comfortable position.



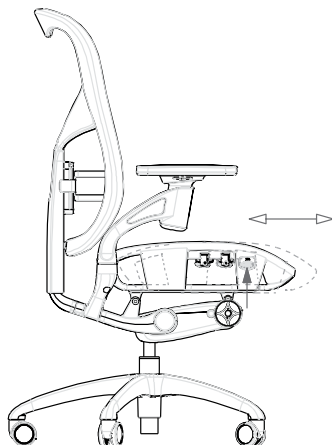
Seat Height Adjust:

1. Press the second button under the left side to adjust the appropriate height.
2. The height can be fixed after unclenching your hand.



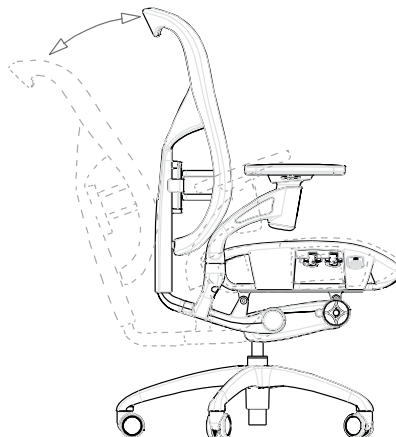
Seat depth:

1. Press the button to adjust seat slide forward and backward, and release the button to fix the seat depth.



Elasticity of Tilting:

1. A handle under the button seat could adjust the elasticity degree of the backrest.
2. The elasticity could be increased by moving the handle clockwise.
3. The elasticity could be decreased by moving the handle anticlockwise.



Radian of Tilting:

1. Press the button under the left side could adjust and lock the radian of backrest.
2. Turning the button up is free state. We can adjust radian of backrest by moving out body.
3. Turning the button up so that the radian of back rest can be fixed.
4. Four positions tilt adjustable.
5. Restore the backrest position after turning the button up and moving body back again.

