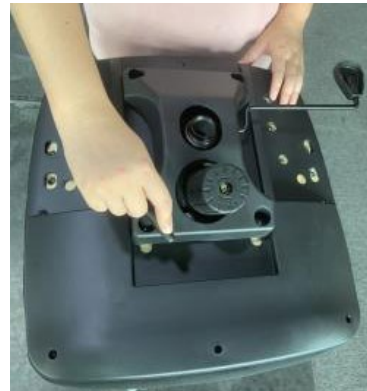


# OPS-L2 LUMEN TASK CHAIR

## ASSEMBLY GUIDE

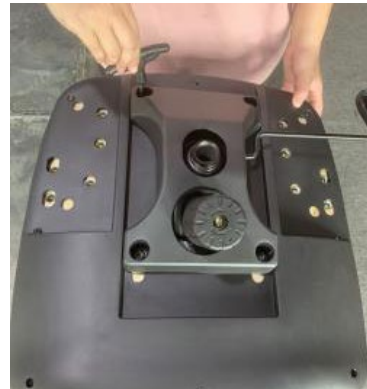


- ① Seat
- ② Assembled Back
- ③ Seat Mechanism
- ④ Screws
- ⑤ Base
- ⑥ Gas Lift
- ⑦ Armrest
- ⑧ Casters (5)



### STEP 1

1. Lay the seat pan upside down and put mechanism onto the seat, lining up screw holes as shown
2. Install (4) screws into the mechanism in a diagonal pattern to attach to seat pan



# OPS-L2 LUMEN TASK CHAIR

## ASSEMBLY GUIDE



### STEP 2

1. Attach the arms to the seat pan using (3) screws



### STEP 3

1. Attach the back to the seat pan using (4) screws



# OPS-L2 LUMEN TASK CHAIR

## ASSEMBLY GUIDE



### STEP 4

1. Attach the casters to the base by firmly pushing in



### STEP 5

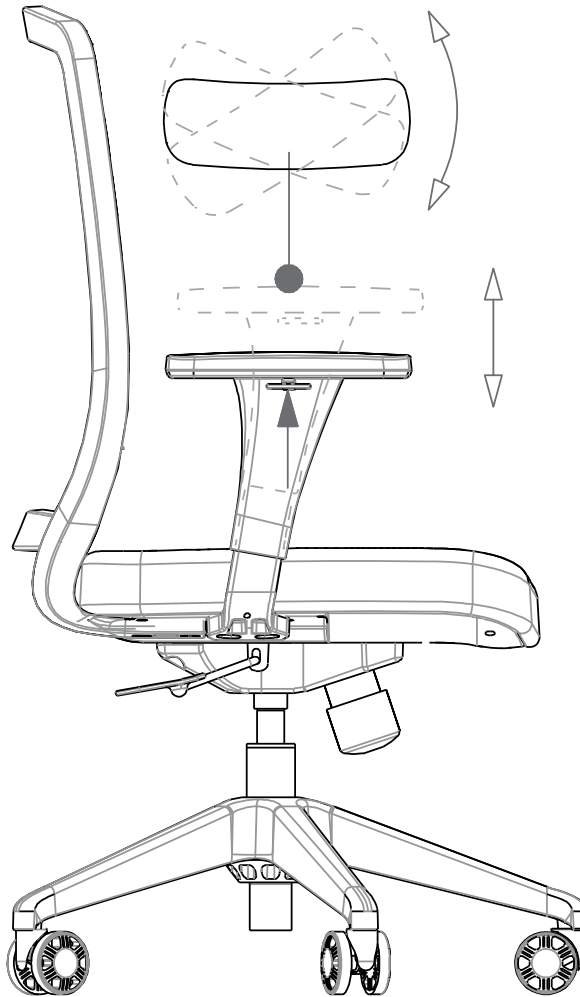
1. Put the cylinder into the base
2. Lower the assembled chair onto the cylinder
3. Assembly is complete

# OPS-L2 LUMEN TASK CHAIR

## USER GUIDE

### ARMREST ADJUST

1. The height of the armrest can be adjusted freely by pressing the button under each armrest.
2. Armrest can adjust in/out manually.



### SEAT HEIGHT ADJUST

1. Press the lever under the right side of seat to adjust seat height up/down.
2. The height will be fixed after releasing lever.

