

2-STAGE STRAIGHT BASE

T-LEG SIT STAND TABLE



Our most affordable straight base with anti-collision technology and reminder features!



FINISHES

BU

MS

FEATURES

- Available in BU and MS finishes
- Keypad w/ 3 customizable heights
- Alert function to remind when to stand
- Anti-collision technology
- Easy assembly with fold-out T-Legs
- Can accommodate tops from 42" to 84" W (sold separately)

SKU

E-TABLE-2S-T-LEG.XX

FOLD OUT LEG DESIGN

Easy to assemble with fold out pre-installed legs.

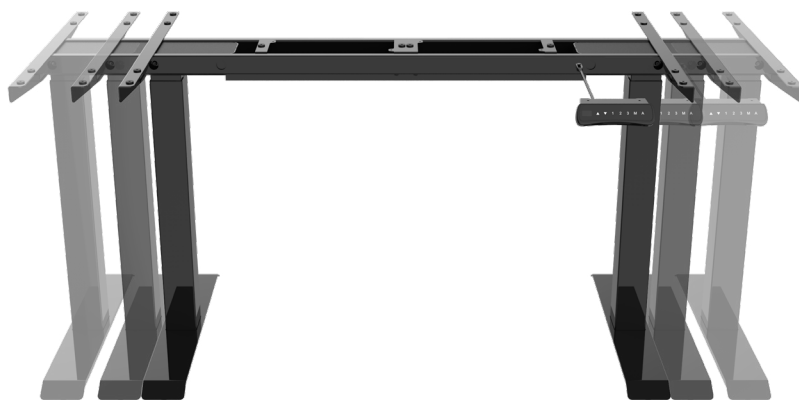


WIRE TRAY INCLUDED



ADJUSTABLE FRAME

Designed to accommodate the perfect width top for your office.



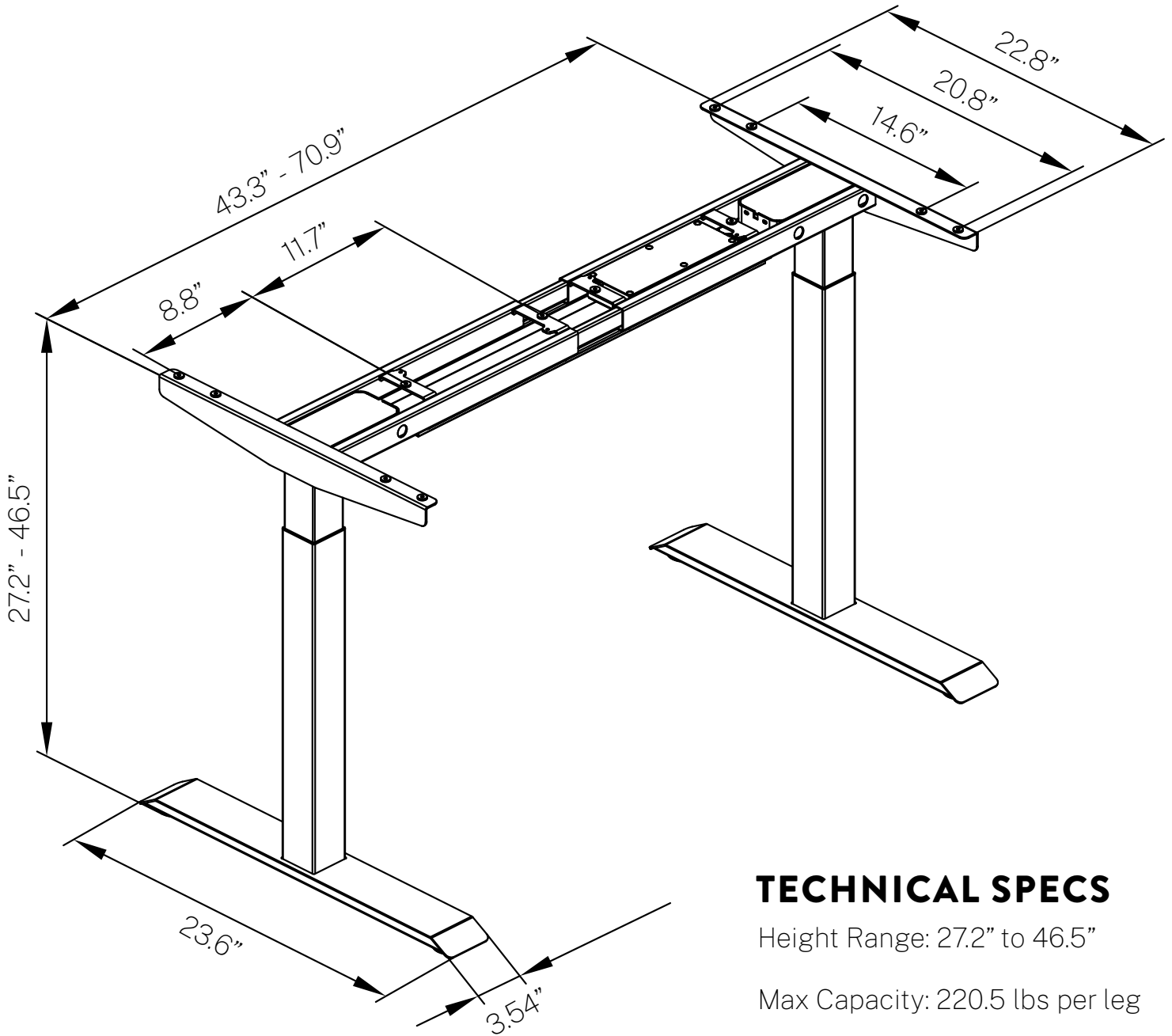
KEYPAD WITH STANDING REMINDERS

The keypad is designed to include three programmable heights, anti-collision technology, and a new reminder function to help you stay on track with your sitting and standing goals.



2-STAGE STRAIGHT BASE

T-LEG SIT STAND TABLE



TECHNICAL SPECS

Height Range: 27.2" to 46.5"

Max Capacity: 220.5 lbs per leg

Lifting Speed: 1.26 in/sec

TOP SIZES

	42 WIDE	48 WIDE	60 WIDE	66 WIDE	72 WIDE	78 WIDE	84 WIDE
24 DEPTH							
30 DEPTH							
36 DEPTH							