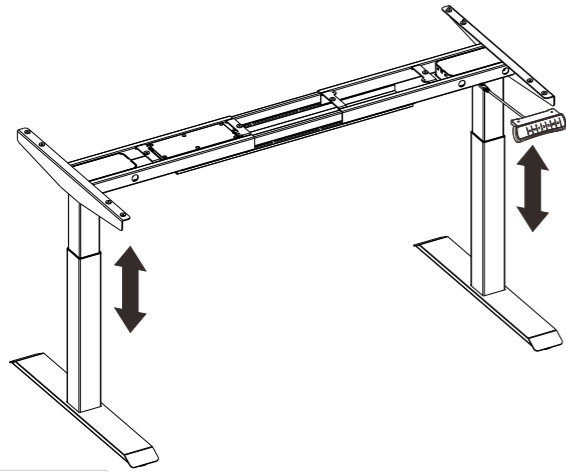


SKU: E-TABLE-2S-T-LEG

Installation guide



Accessory list

Attention: The drawings below are only for reference which might be slightly different from the actual object.

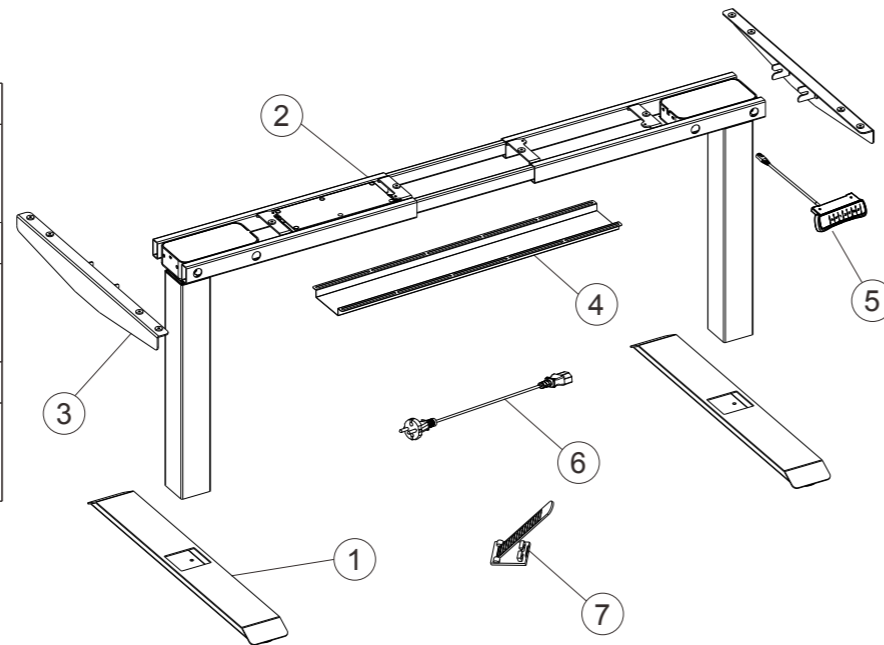
No.	Image	Spec	Qty
A		Allen Key 4x4mm Allen Key 5x5mm	1
B		M6	8
C		ST4.2	16

Technical data

Column Stage	2
Max. Weight Capacity	220.5 lbs
Height Range	27.2"-46.5"
Width Range	43.3"-70.9"

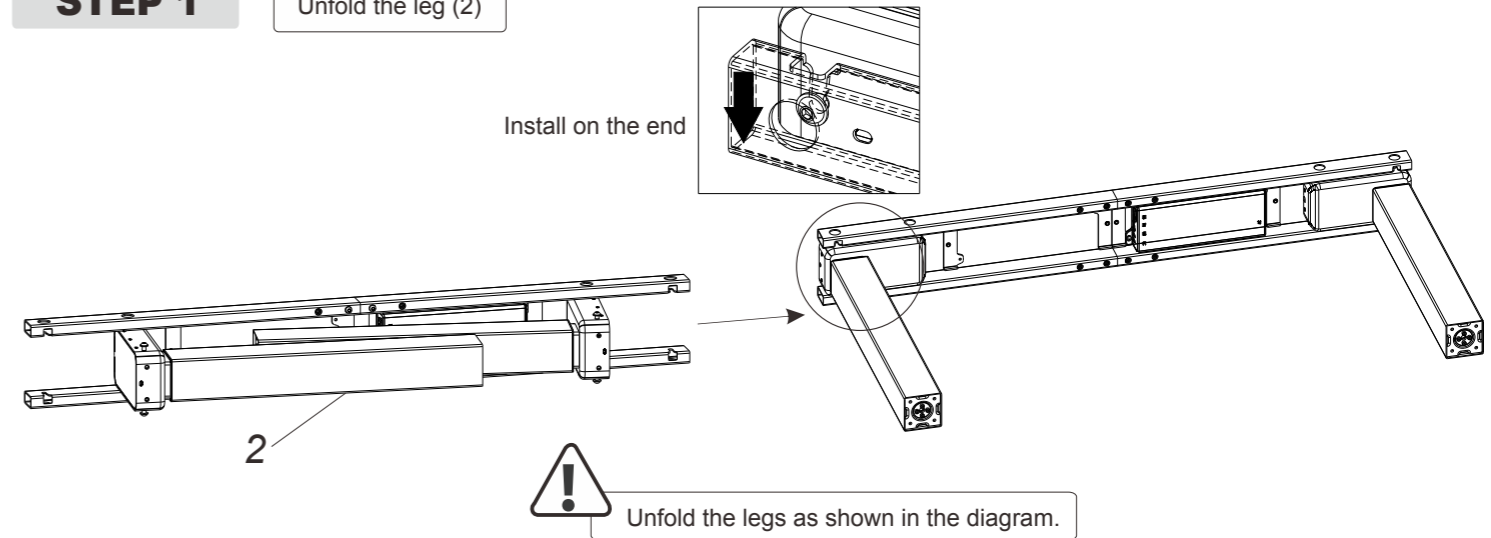
Component list

No.	Part	Qty	No.	Part	Qty
①	Feet	2	②	Foldable Legs	1
No.	Part	Qty	No.	Part	Qty
③	Side Bracket	2	④	Cable Management Tray	1
No.	Part	Qty	No.	Part	Qty
⑤	Keypad	1	⑥	Power Plug	1
No.	Part	Qty			
⑦	Cable Tie	4			



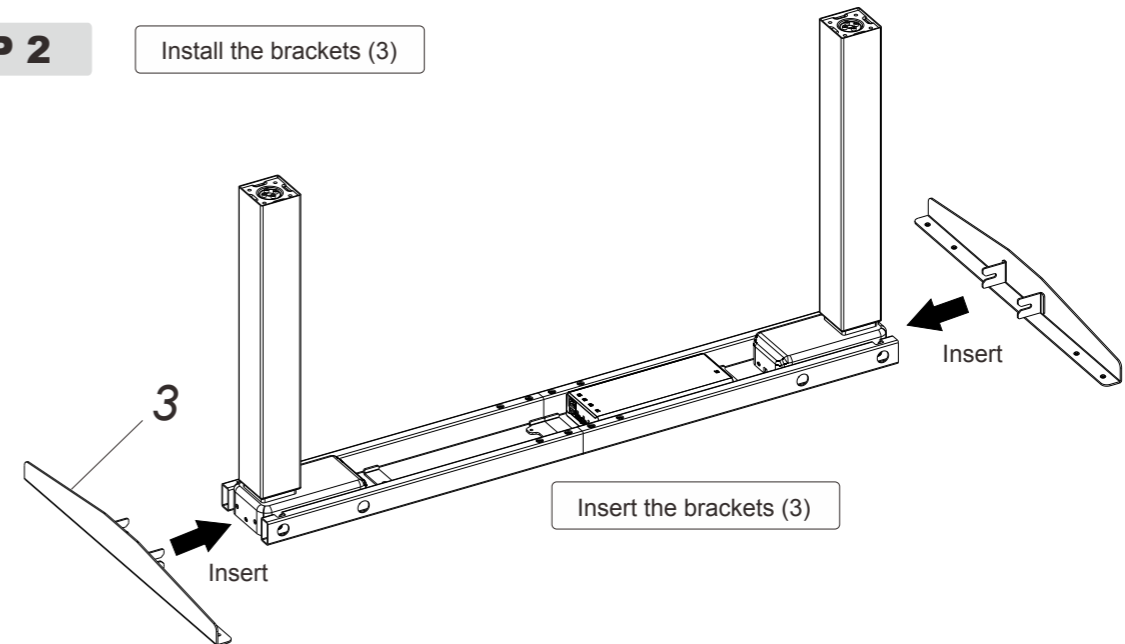
STEP 1

Unfold the leg (2)



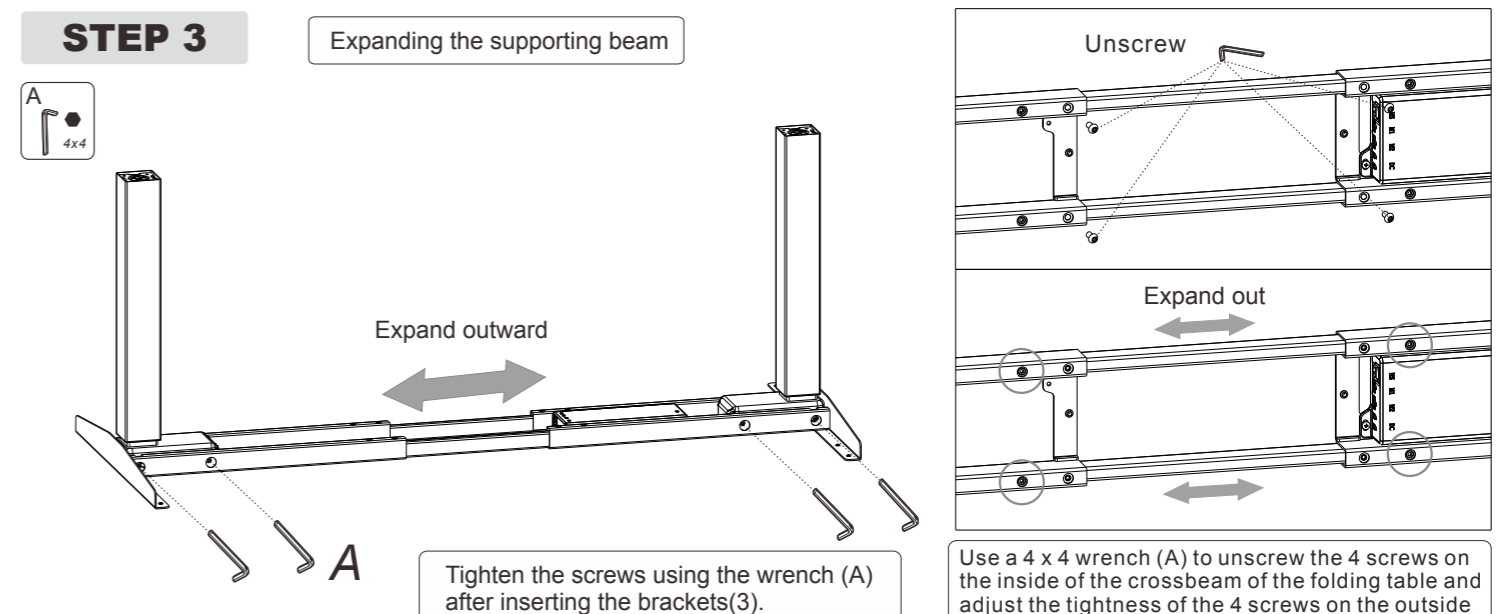
STEP 2

Install the brackets (3)



STEP 3

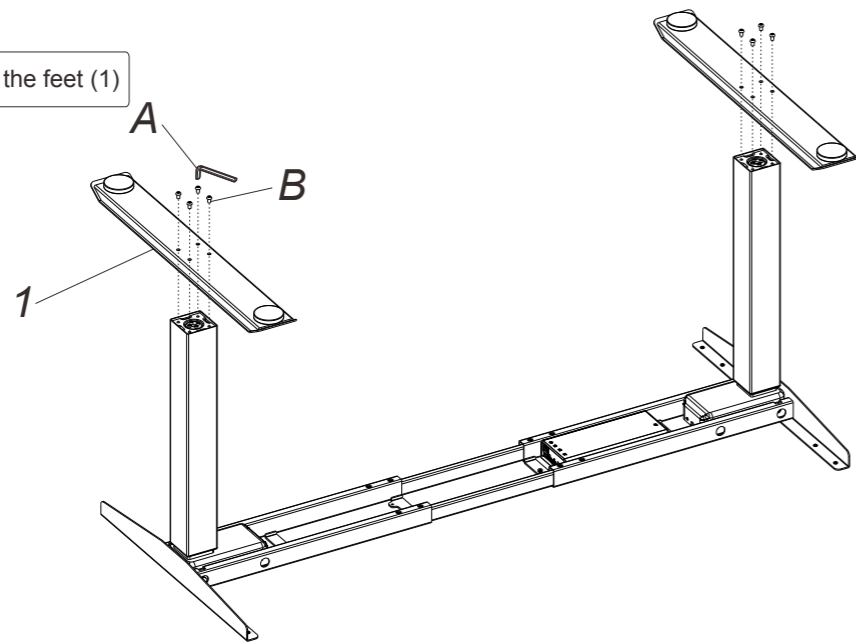
Expanding the supporting beam



Use a 4 x 4 wrench (A) to unscrew the 4 screws on the inside of the crossbeam of the folding table and adjust the tightness of the 4 screws on the outside to make the beam expandable.

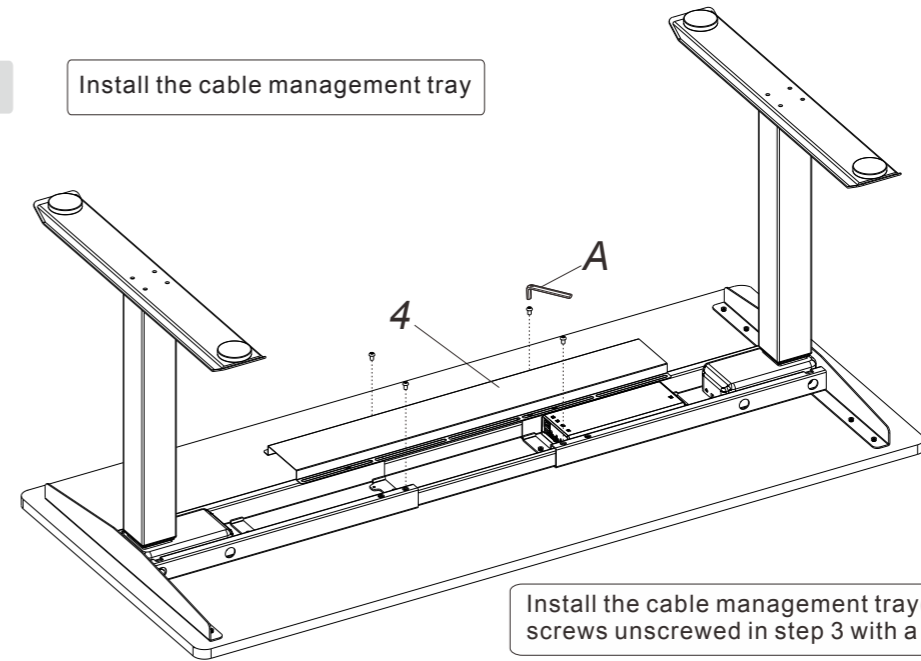
STEP 4

Install the feet (1)



STEP 7

Install the cable management tray



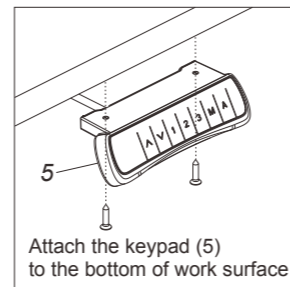
Install the cable management tray(4) on the beam, and fix the screws unscrewed in step 3 with a wrench (A)

STEP 5

Install the work surface



2



Attach the keypad (5) to the bottom of work surface

Install the work surface on the frame and fix it with the screw(C).



All connecting cables can be fixed with cable tie (7).

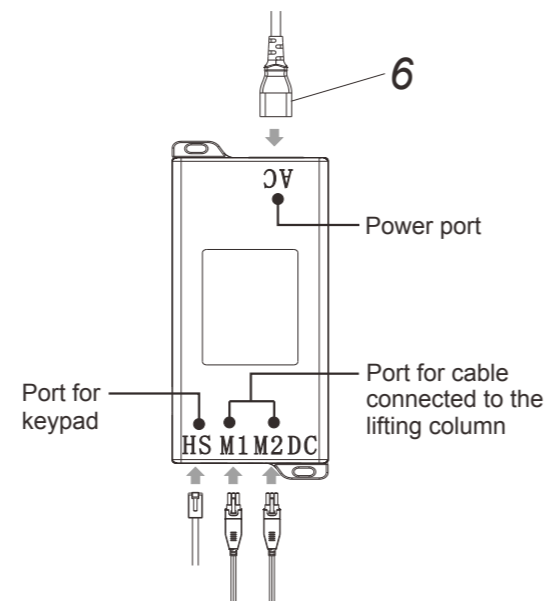
Troubleshooting

The following tips will help you detect and eliminate the common issues.

Issue	Method
No response while long pressing down arrow after connected with a power supply	1. Check if all the cables be connected well 2. Contact your supplier or dealer
No response while pressing up arrow/ down arrow after connected with a power supply	1. Check if all the cables be connected well 2. Contact your supplier or dealer
Rising in a low speed	1. Check if overloaded, max loading: 100kg; 2. Contact your supplier or dealer
The motor does not move as instructed	1. Contact your supplier or dealer
Table goes down but not up	1. Reposition 2. Contact your supplier or dealer
Sliding downward	1. Check if overloaded, max loading: 100kg; 2. Contact your supplier or dealer
Frequently repositing	1. Check if overloaded, max loading: 100kg; 2. Contact your supplier or dealer
Overworked (Duty cycle: Max 2min on/18min OFF)	1. Restart after suspend for 18mins while connecting with power; 2. Contact your supplier or dealer;
Not enough height range	1. Press "M" and "3" together for 3 seconds or more, after hearing continuous beeping for twice, it will restore factory settings 2. Contact your supplier or dealer

STEP 6

Connect the cables to the control box



Waste disposal



This marking indicates that this product should not be disposed with other household wastes. To prevent possible harm to the environment or human health from uncontrolled waste disposal, recycle it responsibly to promote the sustainable reuse of material resources. To return your used device, please use the return and collection systems or contact the retailer where the product was purchased. They can take this product for environmental safe recycling.