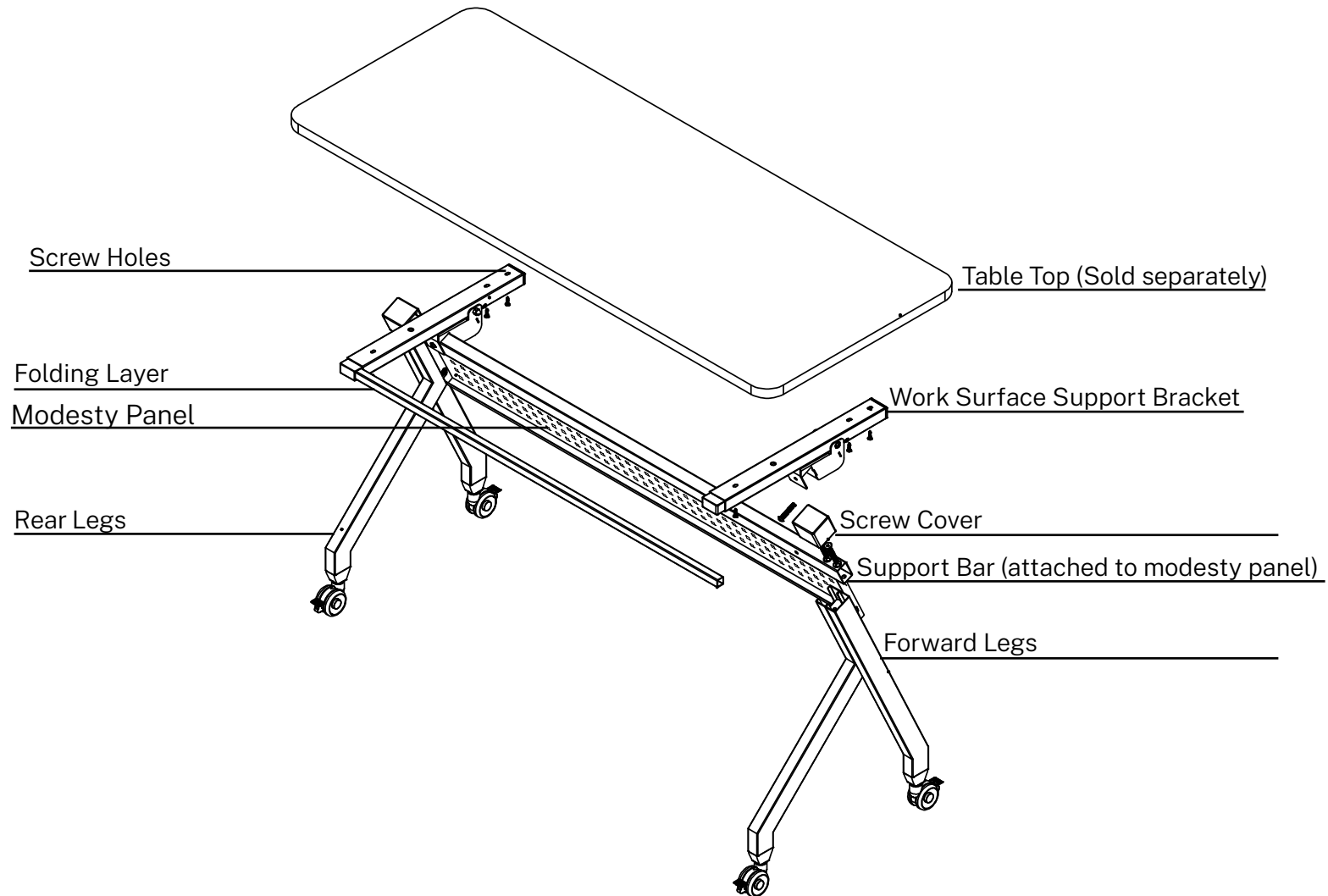


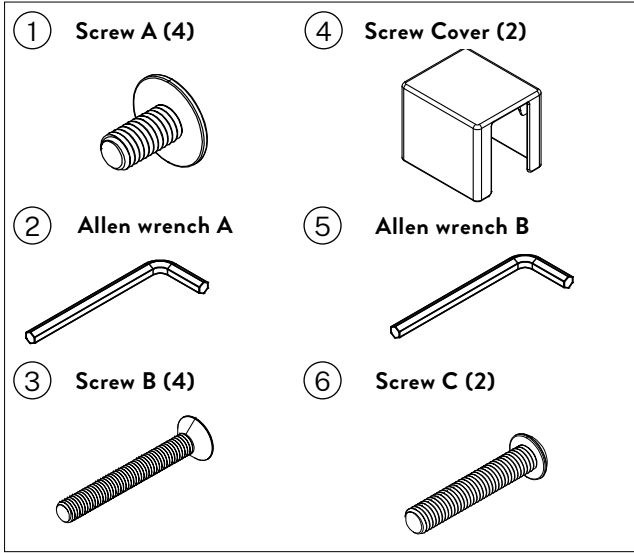
# TRAINING TABLE

## PARTS OVERVIEW

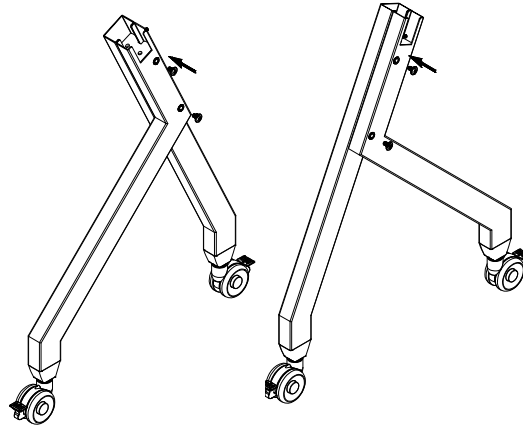


# TRAINING TABLE

## ASSEMBLY GUIDE

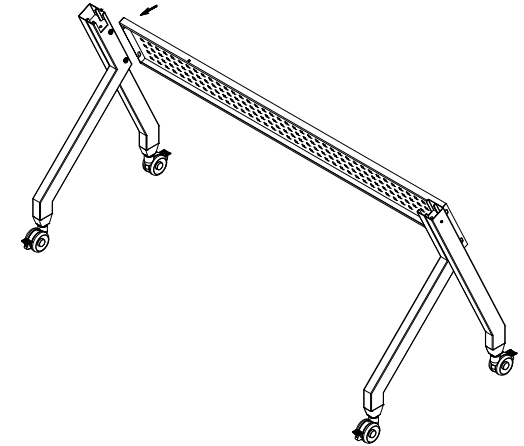


NOTE: Do not tighten screws before all screws are in place.



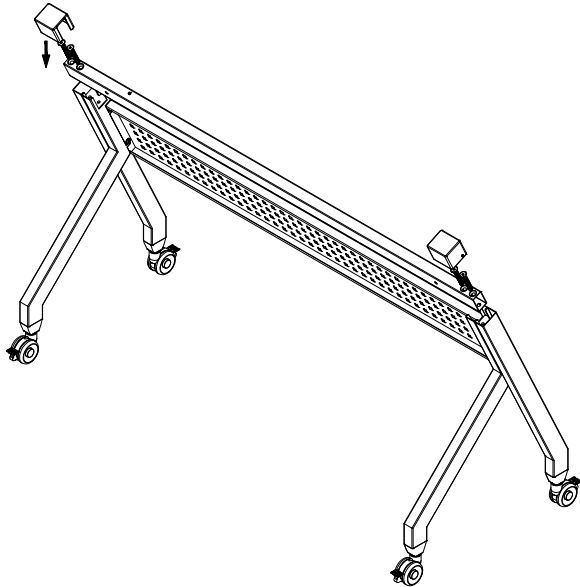
### STEP 1:

1. Secure forward and rear legs using (4) screw A and Allen Wrench A.



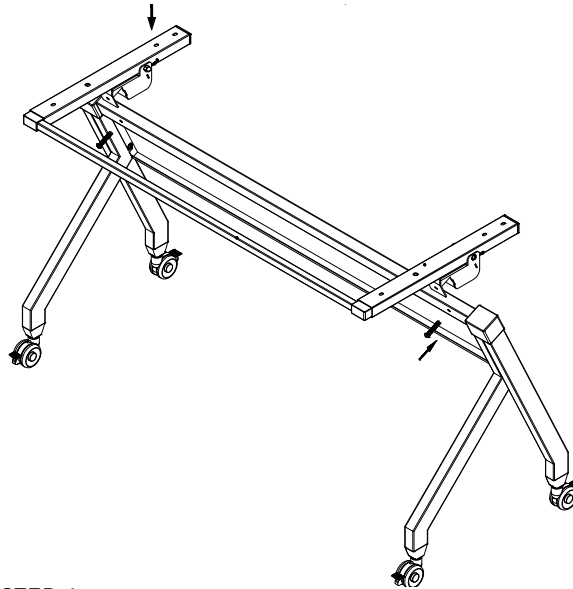
### STEP 2:

1. Attach modesty panel to the legs using the secure screws from Step 1 with Allen Wrench A.



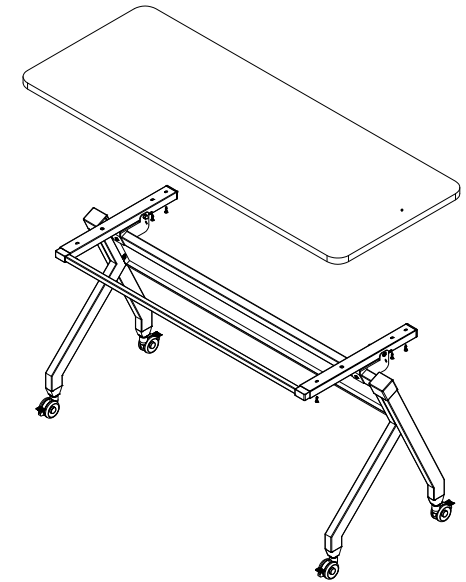
### STEP 3:

1. Attach support bar to modesty panel using (4) Screw B.
2. Attach Screw Covers to conceal screws.



### STEP 4:

1. Attach work surface support bracket to both sides of base using (2) Screw C and Allen Wrench B.



### STEP 5:

1. Secure table top to base.