

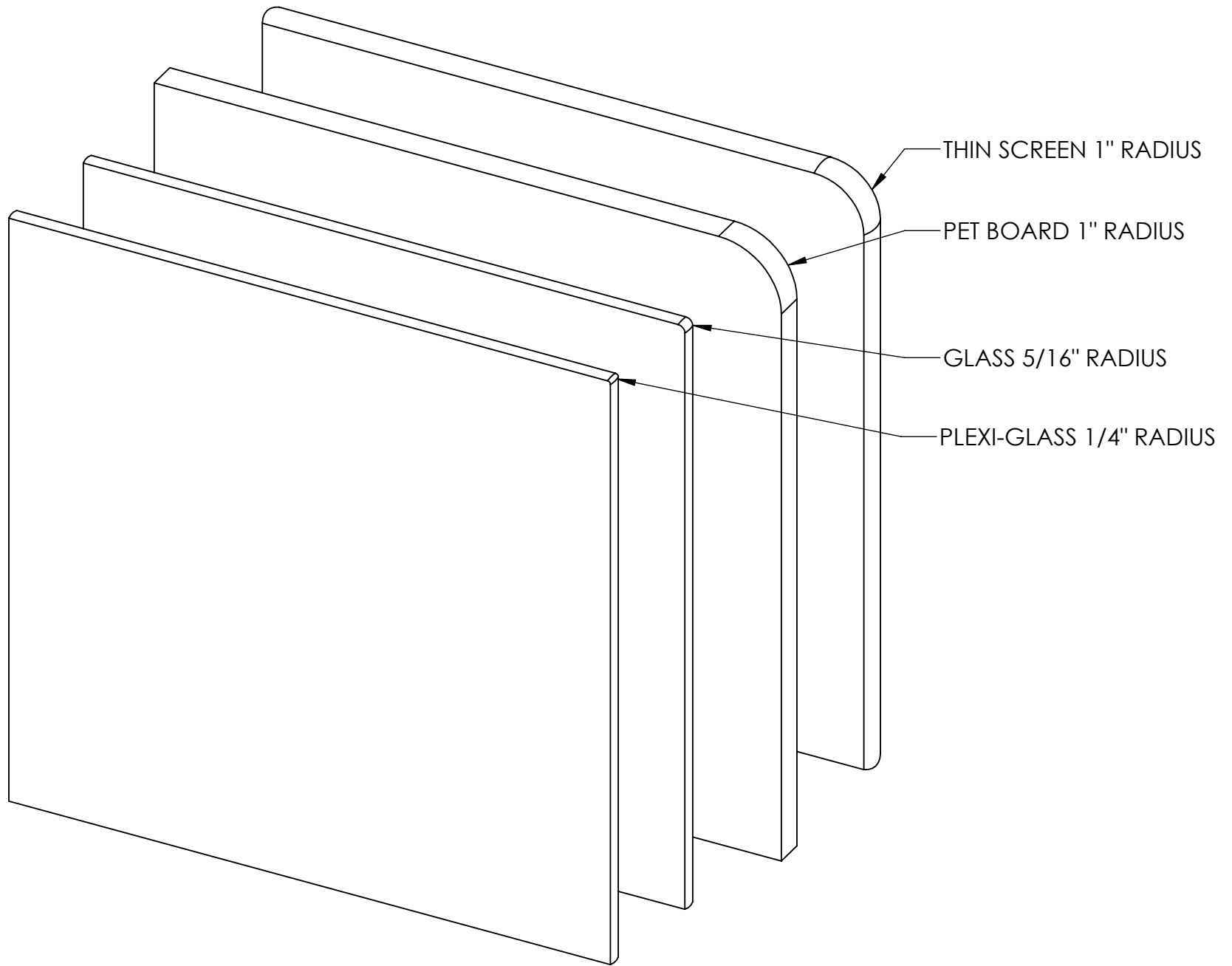
Open Plan Systems
 4700 Deepwater Terminal Rd
 Richmond, VA 23234
 p. 884.OPS.OPS1
 f. 804.275.2329

PROPRIETARY AND CONFIDENTIAL:
 The information contained in this drawing is the sole property of Open Plan Systems. Any reproduction or distribution, in part or as a whole, without the written permission of Open Plan Systems is prohibited.

REV	DATE	ECN	DESCRIPTION

UNLESS OTHERWISE NOTED, DEBUR AND BREAK ALL SHARP EDGES TOLERANCES:	
.X +/- .063	[MM] +/- 1MM
.XX +/- .031	ANGLES +/- 1°
Part #	
TITLE:	

APPROVED BY XXXX	APPROVAL DATE XXXX
DRAWN BY	DRAWN DATE
REVISION	
SHEET 1 OF 1	

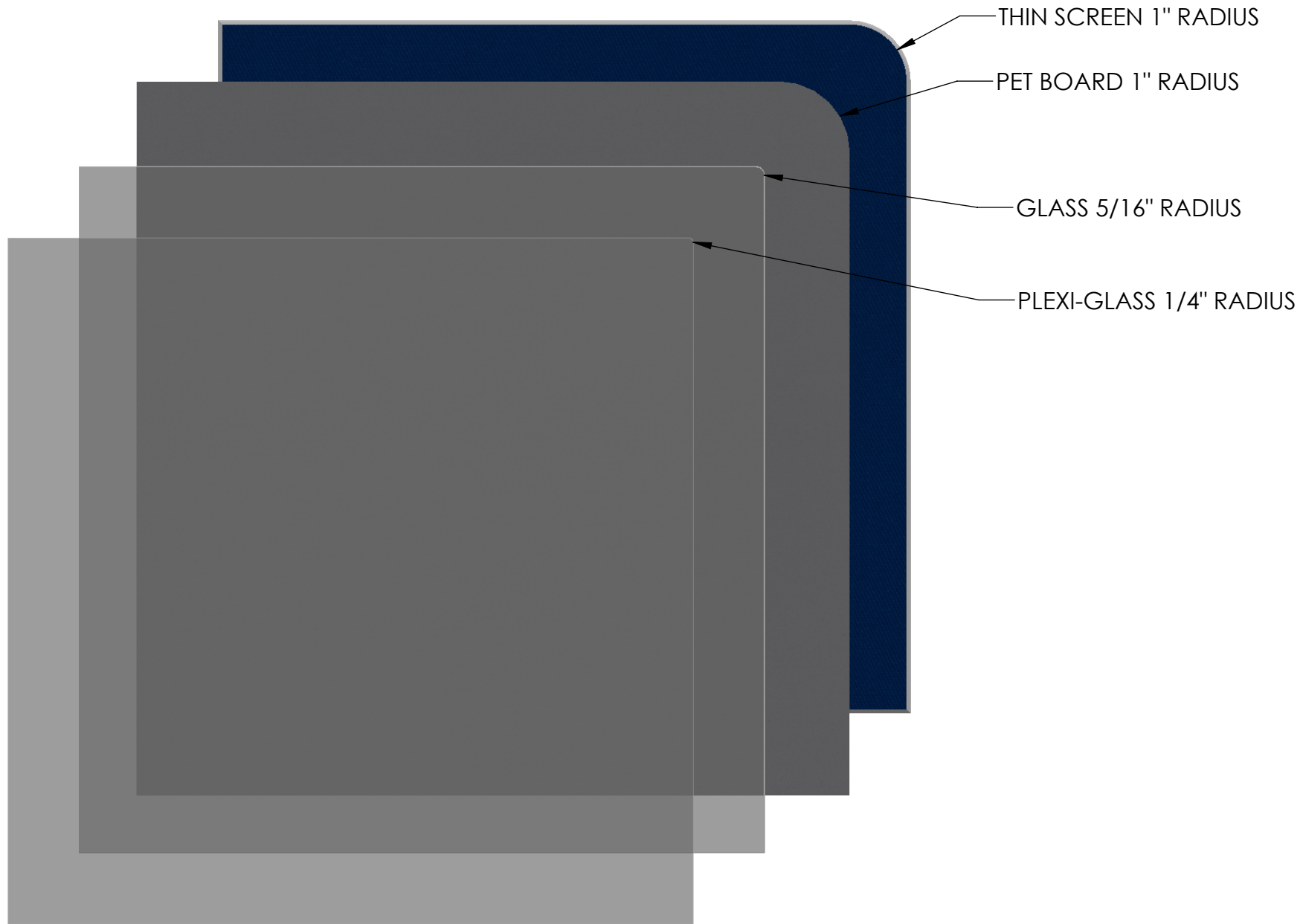


Open Plan Systems
 4700 Deepwater Terminal Rd
 Richmond, VA 23234
 p. 884.OPS.OPS1
 f. 804.275.2329

PROPRIETARY AND CONFIDENTIAL:
 The information contained in this drawing is the sole property of Open Plan Systems. Any reproduction or distribution, in part or as a whole, without the written permission of Open Plan Systems is prohibited.

REV	DATE	ECN	DESCRIPTION

UNLESS OTHERWISE NOTED, DEBUR AND BREAK ALL SHARP EDGES TOLERANCES:		APPROVED BY XXXX	APPROVAL DATE XXXX
.X +/- .063	[MM] +/- 1MM	DRAWN BY	DRAWN DATE
.XX +/- .031	ANGLES +/- 1°		
Part #		REVISION	
TITLE:		SHEET 1 OF 1	



Open Plan Systems
 4700 Deepwater Terminal Rd
 Richmond, VA 23234
 p. 884.OPS.OPS1
 f. 804.275.2329

PROPRIETARY AND CONFIDENTIAL:
 The information contained in this drawing is the sole property of Open Plan Systems. Any reproduction or distribution, in part or as a whole, without the written permission of Open Plan Systems is prohibited.

REV	DATE	ECN	DESCRIPTION

UNLESS OTHERWISE NOTED, DEBUR AND BREAK ALL SHARP EDGES TOLERANCES:		APPROVED BY XXXX	APPROVAL DATE XXXX
.X +/- .063	[MM] +/- 1MM	DRAWN BY	DRAWN DATE
.XX +/- .031	ANGLES +/- 1°		
Part #		REVISION	
TITLE:		SHEET 1 OF 1	