

STORAGE SPECIFICATIONS

3 DRAWER WARDROBE TOWER ON THE RIGHT (37"H)

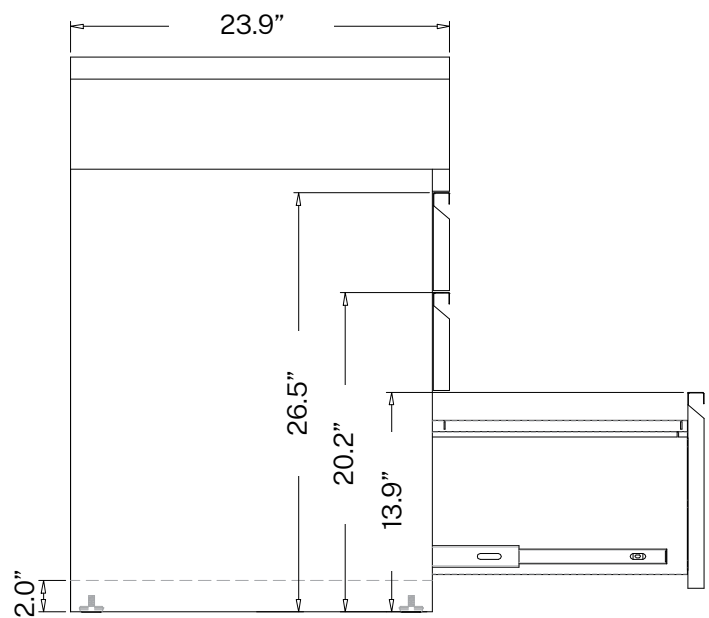
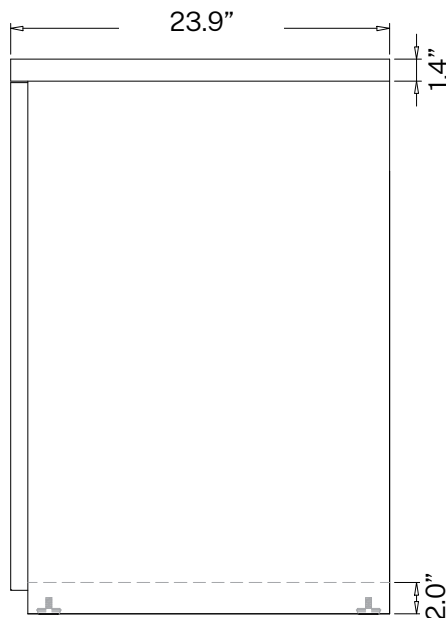
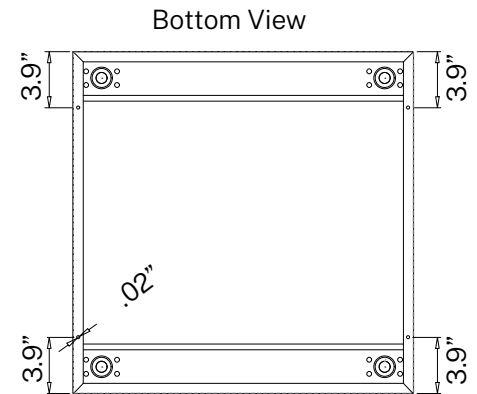
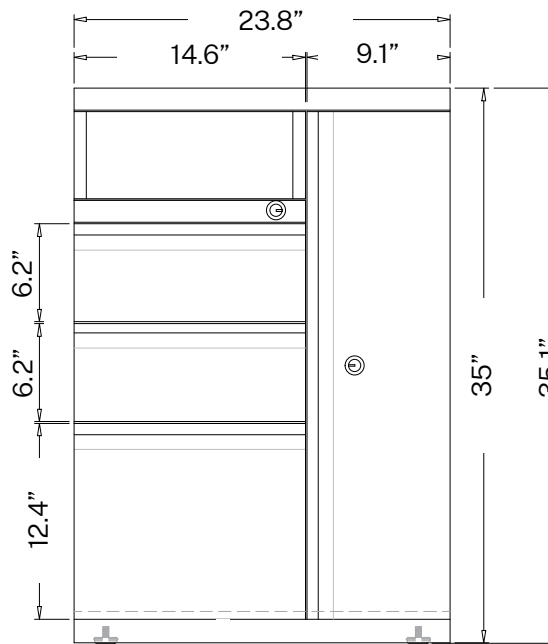
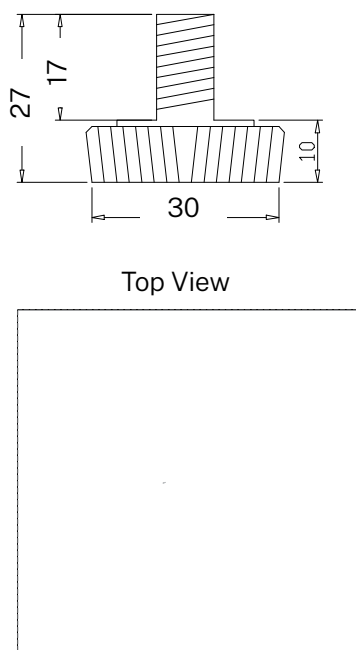


SKU: DS-ST242437-M

DESCRIPTION: 3 DRAWER WARDROBE TOWER ON THE RIGHT (37"H)

FEATURES

- Three Step Steel Ball Bearing Suspension
- Steel Thickness
- Powder Coating: 60u~100u
- Body: 22 Gauge (0.027 in)
- Drawer Front: 22 Gauge (0.027 in)
- Bottom: 19 Gauge (0.039 in)
- Drawer: 22 Gauge (0.027 in)
- Top: 22 Gauge (0.027 in)



STORAGE SPECIFICATIONS

3 DRAWER WARDROBE TOWER ON THE RIGHT (51" H)



SKU: DS-ST242451R-M

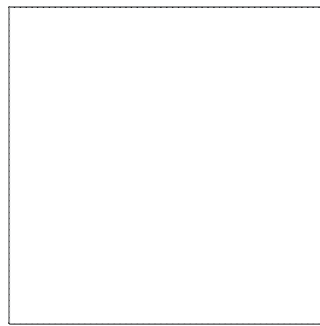
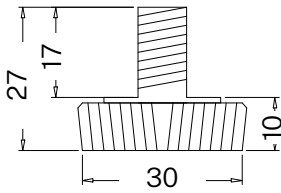
DESCRIPTION: 3 DRAWER WARDROBE TOWER ON THE RIGHT (51" H)

FEATURES

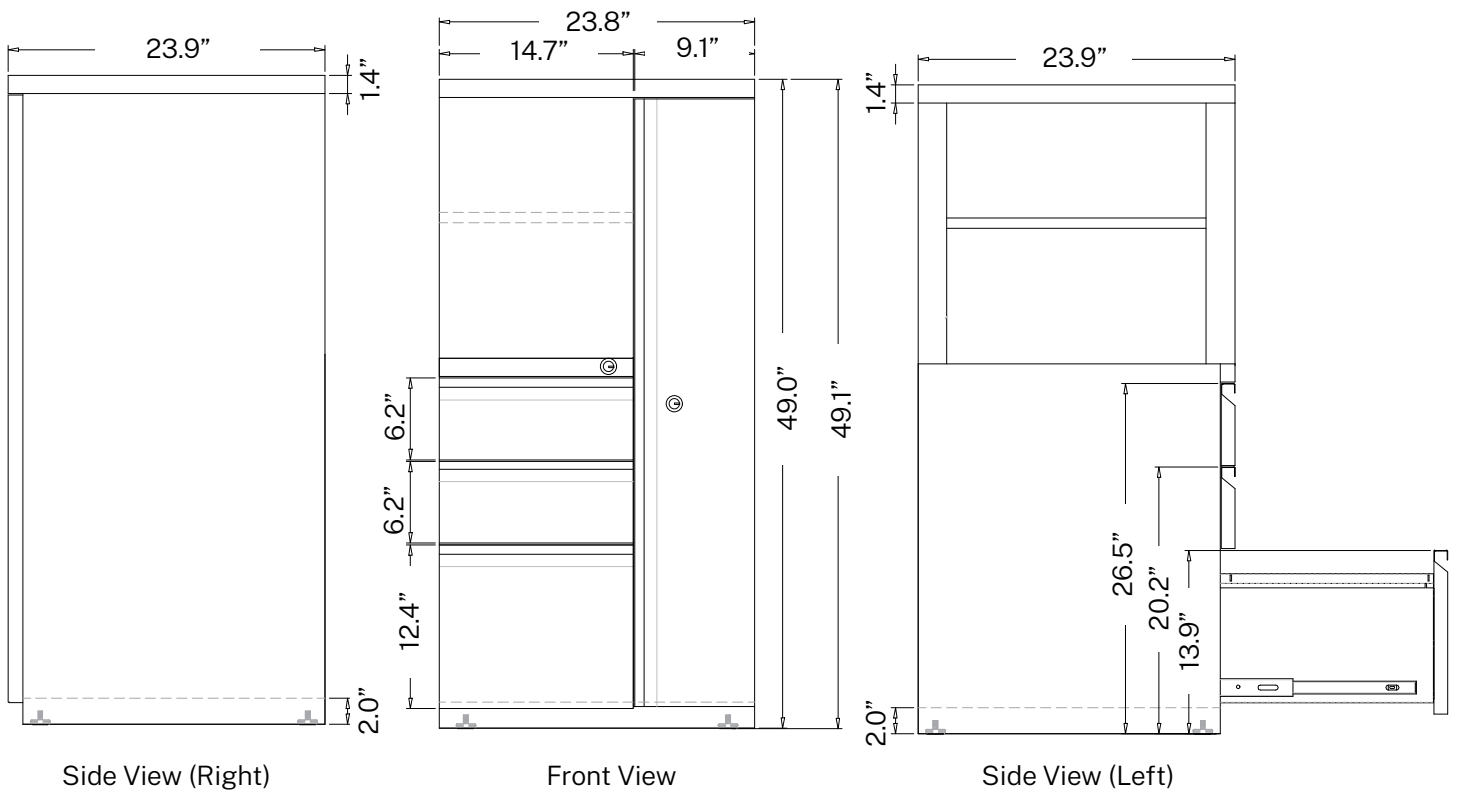
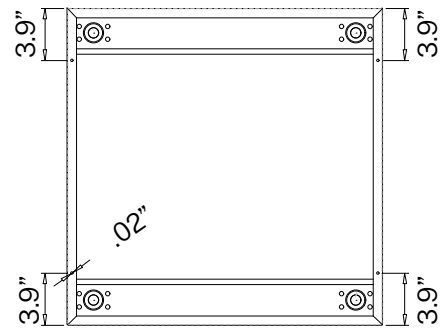
- Three Step Steel Ball Bearing Suspension
- Steel Thickness
- Powder Coating: 60u~100u
- Body: 22 Gauge (0.027 in)
- Drawer Front: 22 Gauge (0.027 in)
- Bottom: 19 Gauge (0.039 in)
- Drawer: 22 Gauge (0.027 in)
- Top: 22 Gauge (0.027 in)



Top View



Bottom View



STORAGE SPECIFICATIONS

3 DRAWER WARDROBE TOWER ON THE LEFT (51" H)



SKU: DS-ST242451L-M

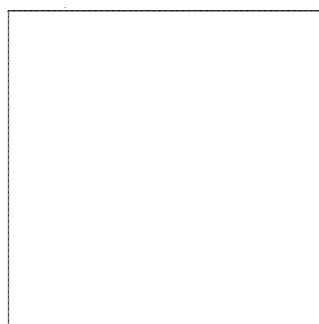
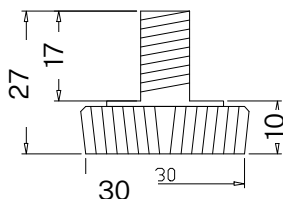
DESCRIPTION: 3 DRAWER WARDROBE TOWER ON THE LEFT (51" H)

FEATURES

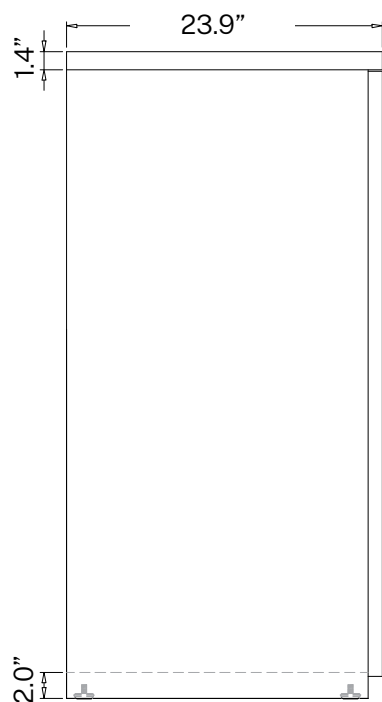
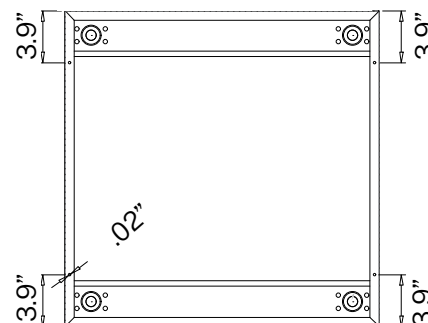
- Three Step Steel Ball Bearing Suspension
- Steel Thickness
- Powder Coating: 60u~100u
- Body: 22 Gauge (0.027 in)
- Drawer Front: 22 Gauge (0.027 in)
- Bottom: 19 Gauge (0.039 in)
- Drawer: 22 Gauge (0.027 in)
- Top: 22 Gauge (0.027 in)



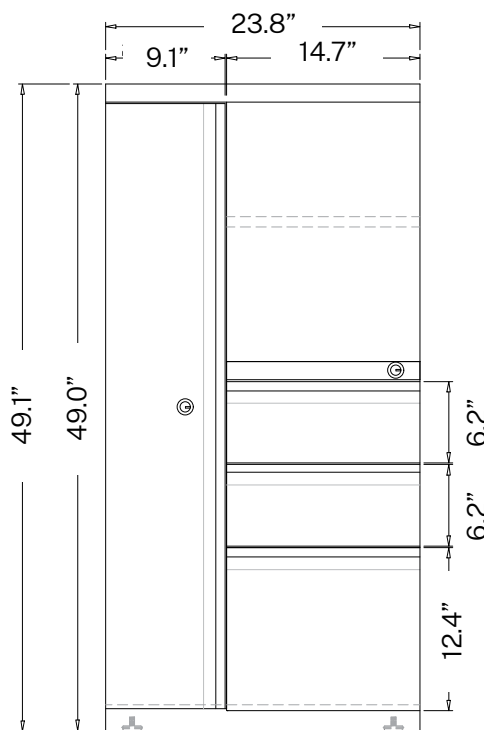
Top View



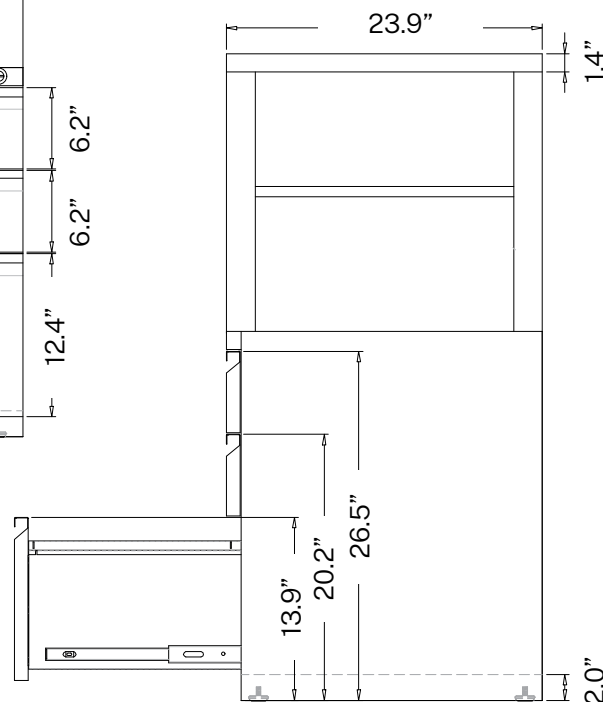
Bottom View



Side View (Left)



Front View



Side View (Right)

STORAGE SPECIFICATIONS

3 DRAWER WARDROBE TOWER ON THE RIGHT (63"H)

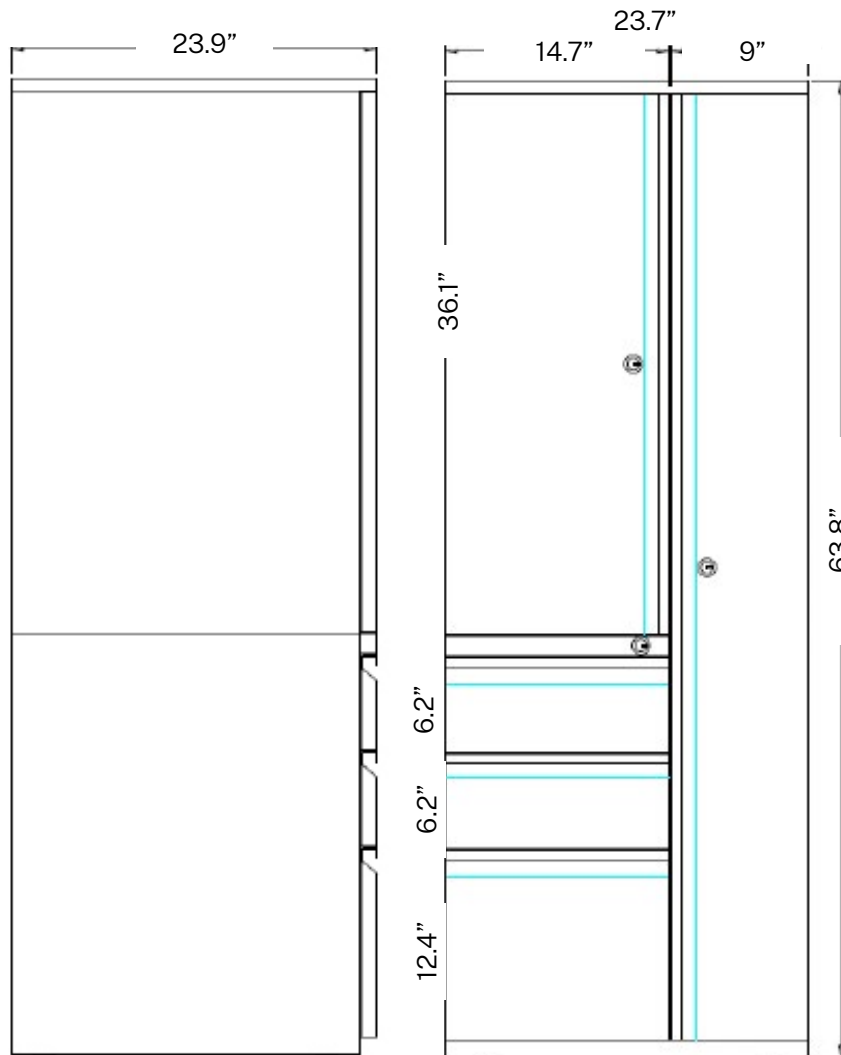


SKU: LFT-242463-FP-R

DESCRIPTION: 3 DRAWER WARDROBE TOWER ON THE RIGHT (63"H)

FEATURES

- Three Step Steel Ball Bearing Suspension
- Powder Coating: 40u~80u
- Body: 22 Gauge (0.027 in)
- Drawer Front: 22 Gauge (0.027 in)
- Bottom: 19 Gauge (0.039 in)
- Drawer: 22 Gauge (0.027 in)
- Top: 22 Gauge (0.027 in)



Back View

Front View

STORAGE SPECIFICATIONS

3 DRAWER WARDROBE TOWER ON THE LEFT (63" H)

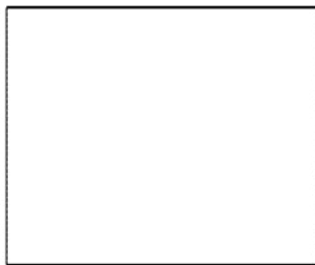


SKU: LFT-242463-FP-L

DESCRIPTION: 3 DRAWER WARDROBE TOWER ON THE LEFT (63" H)

FEATURES

- Three Step Steel Ball Bearing Suspension
- Powder Coating: 40u~80u
- Body: 22 Gauge (0.027 in)
- Drawer Front: 22 Gauge (0.027 in)
- Bottom: 19 Gauge (0.039 in)
- Drawer: 22 Gauge (0.027 in)
- Top: 22 Gauge (0.027 in)



Top View

