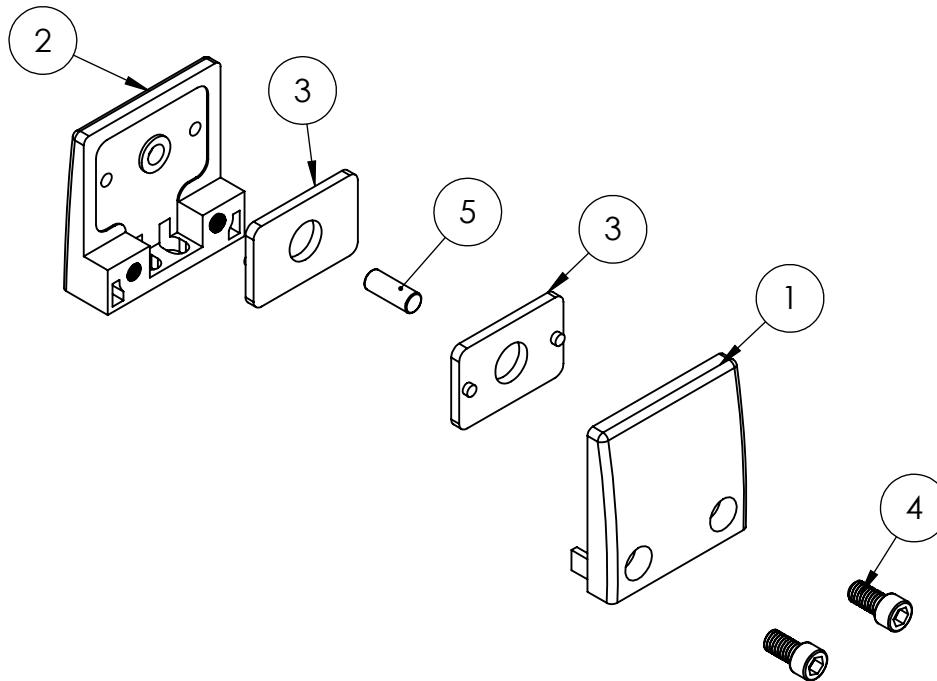


ITEM NO.	PART NUMBER	DESCRIPTION	QTY.
1	700-00006-00002	CAST,CLAMP,PGHM	1
2	700-00006-00001	CAST,BASE,PGHM	1
3	500-00020	PAD,RUBBER,PGHM	2
4	500-00021	Top Mount Panel Glass Holder-Screw	2
5	500-00022	DOWEL,6MMX16MM,STEEL	1



NOTES:

- ITEMS 3,4, AND 5 ARE PART OF HARDWARE KIT PGHM-HWK



Open Plan Systems  
 4700 Deepwater Terminal Rd  
 Richmond, VA 23234  
 p. 884.OPS.OPS1  
 f. 804.275.2329

PROPRIETARY AND CONFIDENTIAL:  
 The information contained in this drawing is the sole property of Open Plan Systems. Any reproduction or distribution, in part or as a whole, without the written permission of Open Plan Systems is prohibited.

REV	DATE	ECN	DESCRIPTION

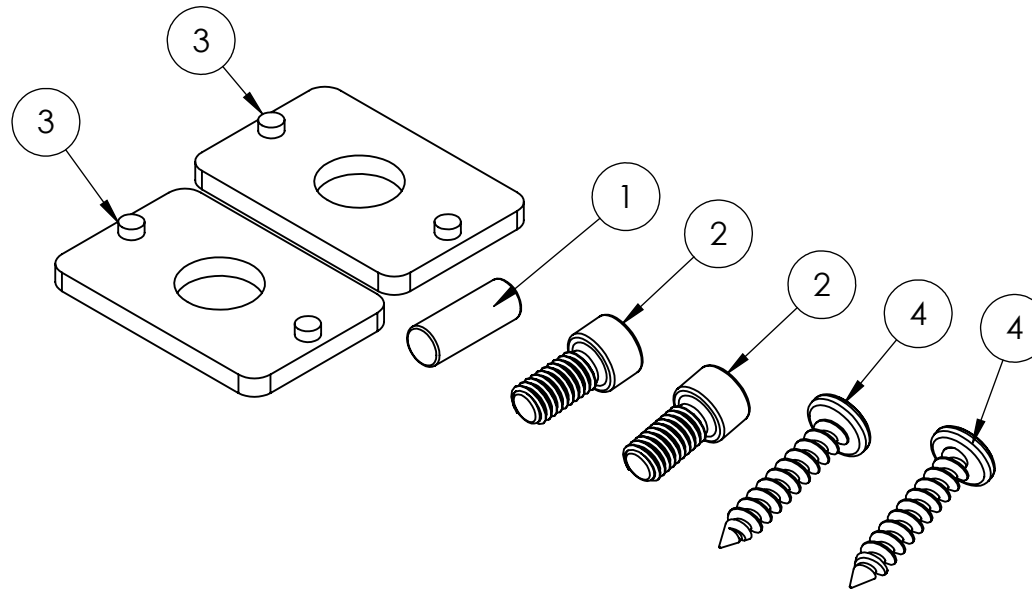
UNLESS OTHERWISE NOTED, DEBUR AND BREAK ALL SHARP EDGES TOLERANCES:

.X +/- .063 .XXX +/- .016  
 .XX +/- .031 ANGLES +/- 1°

DRAWN BY	NC	DRAWN DATE	1/14/2021
APPROVED BY	NM	APPROVED DATE	01/14/2021

PART #	PGHM	REVISION	A
TITLE:	Top Mount Panel Glass Holder	SHEET 1 OF 1	

ITEM NO.	PART NUMBER	DESCRIPTION	QTY.
1	500-00022	DOWEL,6MMX16MM,STEEL	1
2	500-00021	Top Mount Panel Glass Holder-Screw	2
3	500-00020	PAD,RUBBER,PGHM	2
4	500-00023	SCREW,PHP,#10X1",ZNC	2



Open Plan Systems  
 4700 Deepwater Terminal Rd  
 Richmond, VA 23234  
 p. 884.OPS.OPS1  
 f. 804.275.2329

**PROPRIETARY AND CONFIDENTIAL:**  
 The information contained in this drawing is the sole property of Open Plan Systems. Any reproduction or distribution, in part or as a whole, without the written permission of Open Plan Systems is prohibited.

REV	DATE	ECN	DESCRIPTION

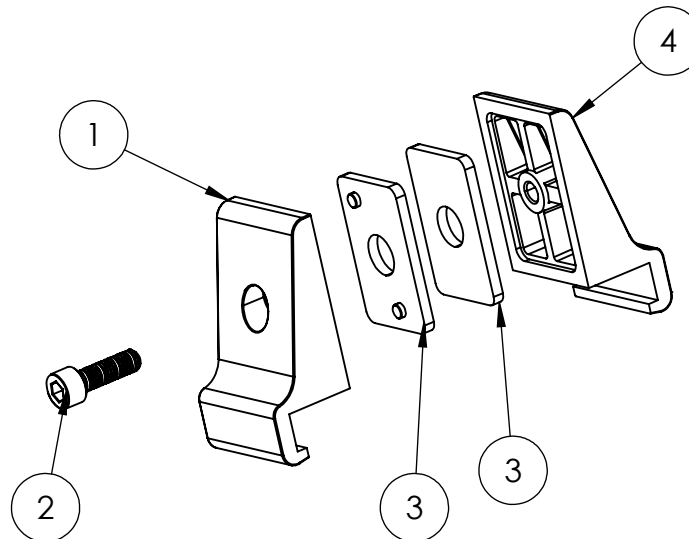
UNLESS OTHERWISE NOTED, DEBUR AND BREAK ALL SHARP EDGES  
 TOLERANCES:

.X +/- .063 .XXX +/- .016  
 .XX +/- .031 ANGLES +/- 1°

DRAWN BY	NC	DRAWN DATE	1/14/2021
APPROVED BY	NM	APPROVED DATE	01/14/2021

PART #	PGHM-HWK	REVISION	A
TITLE:	HARDWARE KIT, PGHM		SHEET 1 OF 1

ITEM NO.	PART NUMBER	DESCRIPTION	QTY.
1	700-00002-00002	CAST,CLAMP,PGHM-TC	1
2	500-00002	SCREW,AC,HEX,MCH,M6X20,CHR	1
3	500-00010	PAD,RUBBER,PGHM-TC	2
4	700-00002-00001	CAST,BASE,PGHM-TC	1



Open Plan Systems  
 4700 Deepwater Terminal Rd  
 Richmond, VA 23234  
 p. 884.OPS.OPS1  
 f. 804.275.2329

**PROPRIETARY AND CONFIDENTIAL:**  
 The information contained in this drawing is the sole property of Open Plan Systems. Any reproduction or distribution, in part or as a whole, without the written permission of Open Plan Systems is prohibited.

REV	DATE	ECN	DESCRIPTION

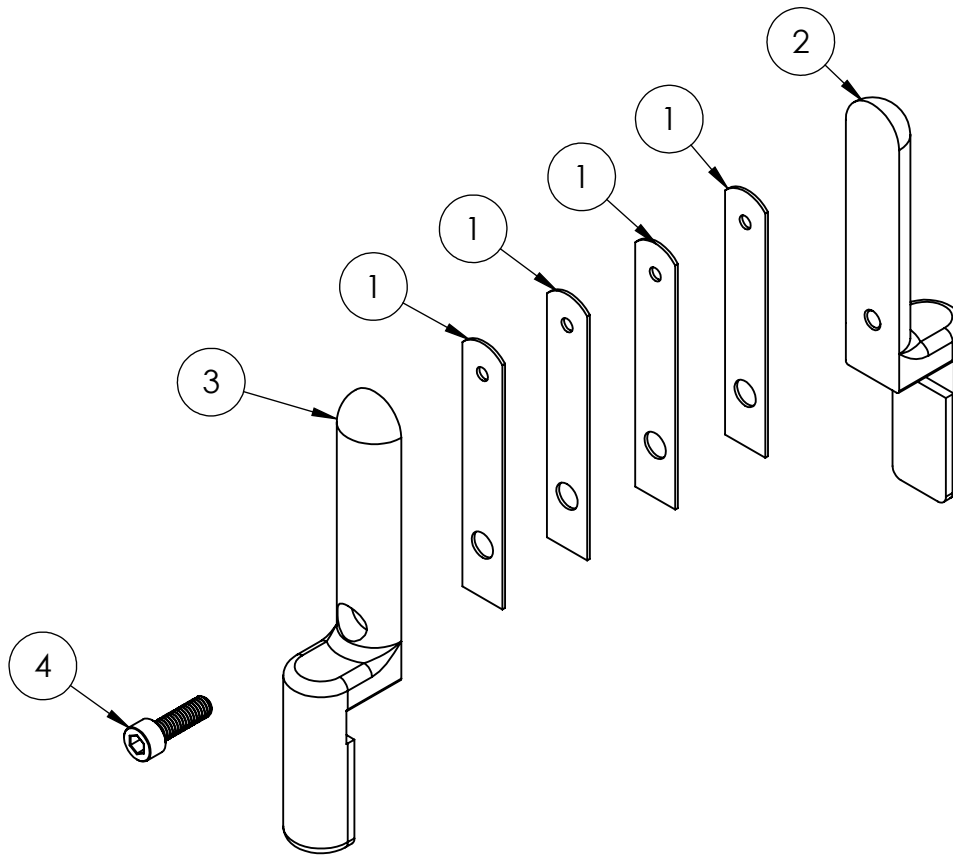
UNLESS OTHERWISE NOTED, DEBUR AND BREAK ALL SHARP EDGES  
 TOLERANCES:

.X +/- .063 .XXX +/- .016  
 .XX +/- .031 ANGLES +/- 1°

DRAWN BY	NC	DRAWN DATE	10/9/2020
APPROVED BY	NM	APPROVED DATE	10/15/2020

PART #	PGHM-TC	REVISION	A
TITLE:	TOP CAP CLAMP MOUNT	SHEET 1 OF 1	

ITEM NO.	PART NUMBER	DESCRIPTION	QTY.
1	500-00011	PAD,RUBBER,PGHM-N	4
2	700-00003-00001	CAST,BASE,PGHM-N	1
3	700-00003-00002	CAST,CLAMP,PGHM-N	1
4	500-00002	SCREW,AC,HEX,MCH,M6X20,CHR	1



Open Plan Systems  
 4700 Deepwater Terminal Rd  
 Richmond, VA 23234  
 p. 884.OPS.OPS1  
 f. 804.275.2329

**PROPRIETARY AND CONFIDENTIAL:**  
 The information contained in this drawing is the sole property of Open Plan Systems. Any reproduction or distribution, in part or as a whole, without the written permission of Open Plan Systems is prohibited.

REV	DATE	ECN	DESCRIPTION

UNLESS OTHERWISE NOTED, DEBUR AND BREAK ALL SHARP EDGES  
 TOLERANCES:

.X +/- .063 .XXX +/- .016  
 .XX +/- .031 ANGLES +/- 1°

DRAWN BY	NC	DRAWN DATE	11/4/2020
APPROVED BY	RDM	APPROVED DATE	11/04/2020

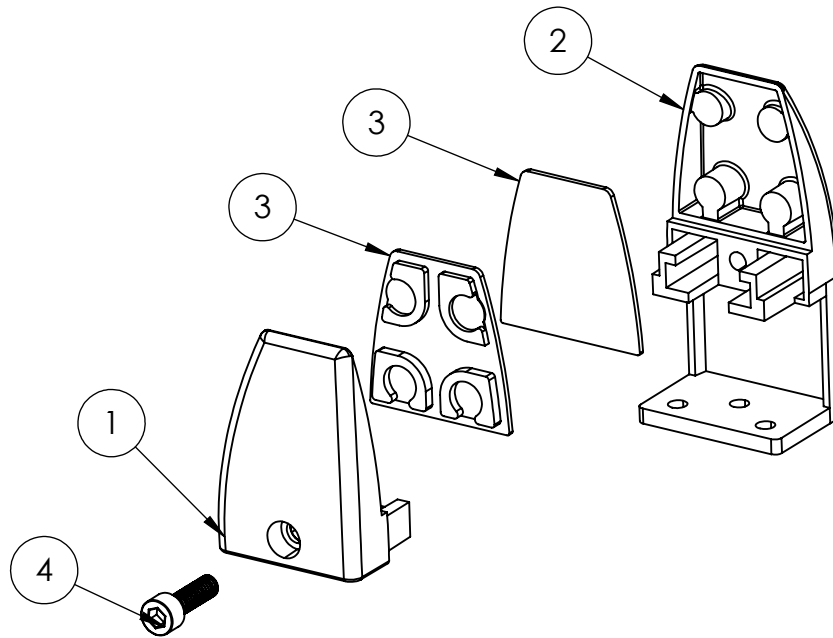
PART # PGHM-N

REVISION  
 A

TITLE:  
 TOP MOUNT PANEL GLASS HOLDER - GOAL POST STYLE

SHEET 1 OF 1

ITEM NO.	PART NUMBER	DESCRIPTION	QTY.
1	700-00007-00002	CAST,CLAMP,PGHM-L	1
2	700-00007-00001	CAST,BASE,PGHM-L	1
3	500-00007	PAD,HLD,GLASS,PGHM-UFS	2
4	500-00002	SCREW,AC,HEX,MCH,M6X20,CHR	1



- NOTES:  
1. ITEM 4 IS PART OF HARDWARE KIT PGHM-L-HWK



Open Plan Systems  
4700 Deepwater Terminal Rd  
Richmond, VA 23234  
p. 884.OPS.OPS1  
f. 804.275.2329

PROPRIETARY AND CONFIDENTIAL:  
The information contained in this drawing is the sole property of Open Plan Systems. Any reproduction or distribution, in part or as a whole, without the written permission of Open Plan Systems is prohibited.

REV	DATE	ECN	DESCRIPTION

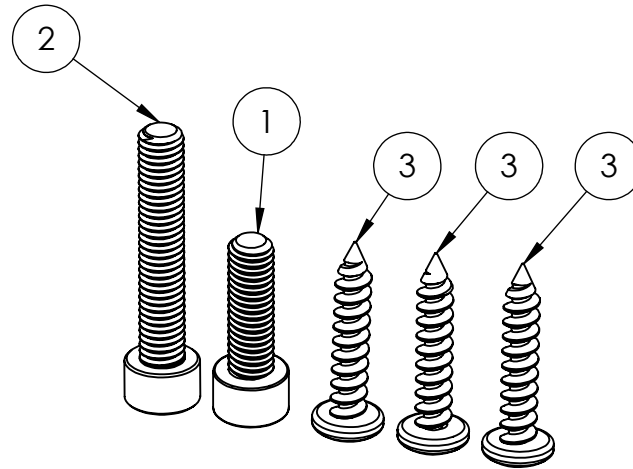
UNLESS OTHERWISE NOTED, DEBUR AND BREAK ALL SHARP EDGES TOLERANCES:

.X +/- .063 .XXX +/- .016  
.XX +/- .031 ANGLES +/- 1°

DRAWN BY	NC	DRAWN DATE	1/20/2021
APPROVED BY	NM	APPROVED DATE	01/20/2021

PART #	PGHM-L	REVISION	A
TITLE:	TOP MOUNT PANEL GLASS HOLDER - L STYLE		SHEET 1 OF 1

ITEM NO.	PART NUMBER	DESCRIPTION	QTY.
1	500-00002	SCREW,AC,HEX,MCH,M6X20,CHR	1
2	500-00024	SCREW,AC,HEX,MCH,M6X34,CHR	1
3	500-00023	SCREW,PHP,#10X1",ZNC	3



Open Plan Systems  
 4700 Deepwater Terminal Rd  
 Richmond, VA 23234  
 p. 884.OPS.OPS1  
 f. 804.275.2329

**PROPRIETARY AND CONFIDENTIAL:**  
 The information contained in this drawing is the sole property of Open Plan Systems. Any reproduction or distribution, in part or as a whole, without the written permission of Open Plan Systems is prohibited.

REV	DATE	ECN	DESCRIPTION

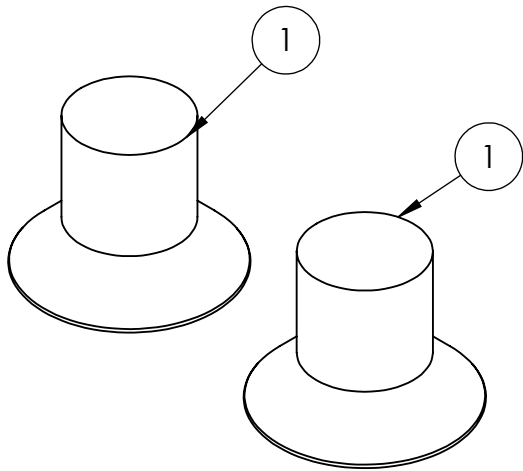
UNLESS OTHERWISE NOTED, DEBUR AND BREAK ALL SHARP EDGES TOLERANCES:

.X +/- .063 .XXX +/- .016  
 .XX +/- .031 ANGLES +/- 1°

DRAWN BY	NC	DRAWN DATE	1/20/2021
APPROVED BY	NM	APPROVED DATE	01/20/2021

PART #	PGHM-L-HWK	REVISION	A
TITLE:	HWK, PGHM-L	SHEET 1 OF 1	

ITEM NO.	PART NUMBER	DESCRIPTION	QTY.
1	500-00003	SCREW, FH, PHL, MCH-TL, M4X6, CHR	2



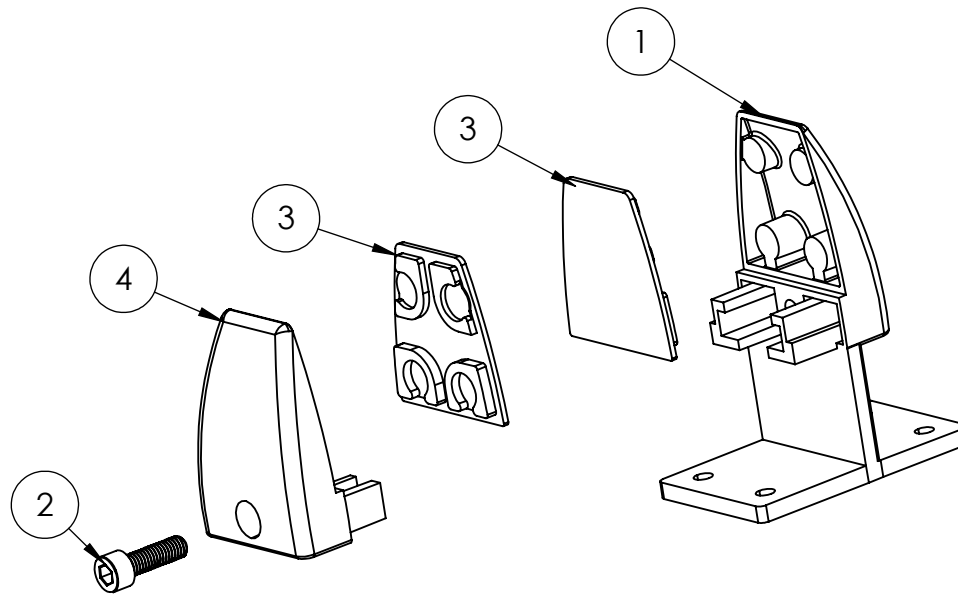
Open Plan Systems  
 4700 Deepwater Terminal Rd  
 Richmond, VA 23234  
 p. 884.OPS.OPS1  
 f. 804.275.2329

**PROPRIETARY AND CONFIDENTIAL:**  
 The information contained in this drawing is the sole property of Open Plan Systems. Any reproduction or distribution, in part or as a whole, without the written permission of Open Plan Systems is prohibited.

REV	DATE	ECN	DESCRIPTION

UNLESS OTHERWISE NOTED, DEBUR AND BREAK ALL SHARP EDGES TOLERANCES:		DRAWN BY	DRAWN DATE
.X +/- .063	.XXX +/- .016	NC	10/02/2020
.XX +/- .031	ANGLES +/- 1°	APPROVED BY	APPROVED DATE
		RDM	10/15/2020
PART # PGHM-MFS-HWK			REVISION
TITLE: HDWK, PGHM-MFS			A
			SHEET 1 OF 1

ITEM NO.	PART NUMBER	DESCRIPTION	QTY.
1	700-00008	CAST,BASE,PGHM-H	1
2	500-00002	SCREW,AC,HEX,MCH,M6X20,CHR	1
3	500-00007	PAD,HLDR,GLASS,PGHM-UFS	2
4	700-00007-00002	CAST,CLAMP,PGHM-L	1



NOTES:  
 1. ITEM 2 IS PART OF HARDWARE KIT PGHM-H-HWK



Open Plan Systems  
 4700 Deepwater Terminal Rd  
 Richmond, VA 23234  
 p. 884.OPS.OPS1  
 f. 804.275.2329

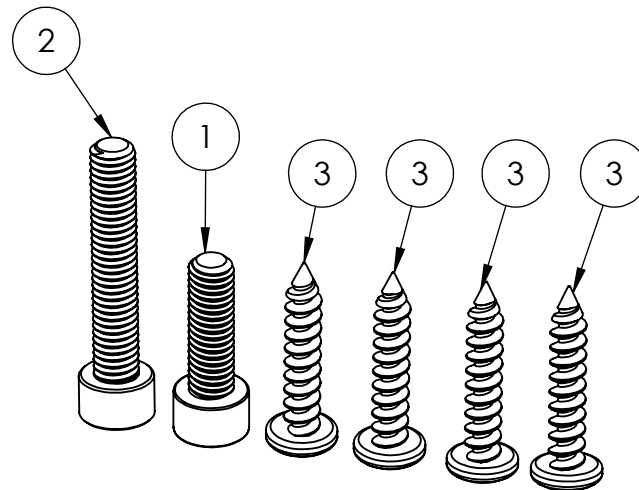
PROPRIETARY AND CONFIDENTIAL:  
 The information contained in this drawing is the sole property of Open Plan Systems. Any reproduction or distribution, in part or as a whole, without the written permission of Open Plan Systems is prohibited.

REV	DATE	ECN	DESCRIPTION

UNLESS OTHERWISE NOTED, DEBUR AND BREAK ALL SHARP EDGES TOLERANCES:		DRAWN BY	DRAWN DATE
.X +/- .063	.XXX +/- .016	NC	1/29/2021
.XX +/- .031	ANGLES +/- 1°	APPROVED BY	APPROVED DATE
PART #		NM	01/29/2021
PGHM-H		REVISION	A
TITLE:			SHEET 1 OF 1
TOP MOUNT PANEL GLASS HOLDER - H STYLE			



ITEM NO.	PART NUMBER	DESCRIPTION	QTY.
1	500-00002	SCREW,AC,HEX,MCH,M6X20,CHR	1
2	500-00024	SCREW,AC,HEX,MCH,M6X34,CHR	1
3	500-00023	SCREW,PHP,#10X1",ZNC	4



Open Plan Systems  
 4700 Deepwater Terminal Rd  
 Richmond, VA 23234  
 p. 884.OPS.OPS1  
 f. 804.275.2329

**PROPRIETARY AND CONFIDENTIAL:**  
 The information contained in this drawing is the sole property of Open Plan Systems. Any reproduction or distribution, in part or as a whole, without the written permission of Open Plan Systems is prohibited.

REV	DATE	ECN	DESCRIPTION

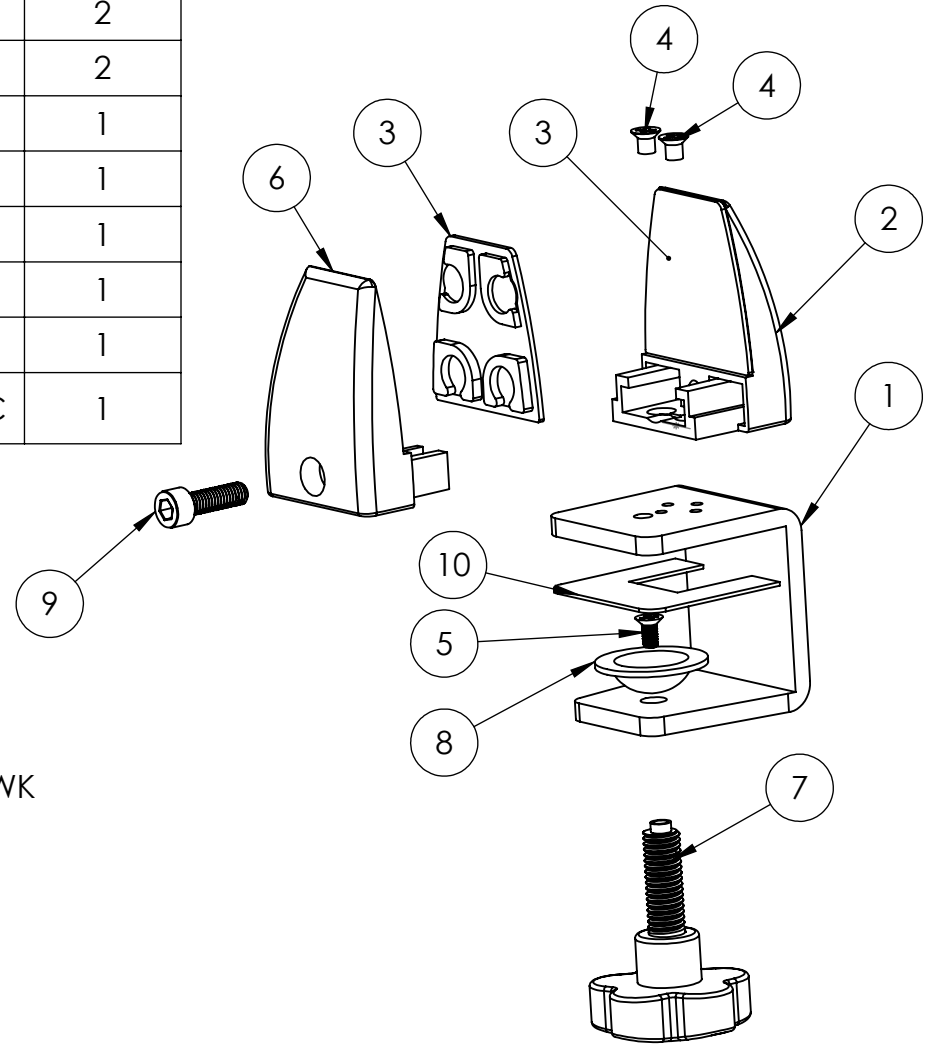
UNLESS OTHERWISE NOTED, DEBUR AND BREAK ALL SHARP EDGES TOLERANCES:

.X +/- .063 .XXX +/- .016  
 .XX +/- .031 ANGLES +/- 1°

DRAWN BY	NC	DRAWN DATE	1/29/2021
APPROVED BY	NM	APPROVED DATE	01/29/2021

PART #	PGHM-H-HWK	REVISION	A
TITLE:	HWK,PGHM-H	SHEET 1 OF 1	

ITEM NO.	PART NUMBER	DESCRIPTION	QTY.
1	460-00003	BASE,PGHM-UC	1
2	PGHM.U.R.NP	CAST,BASE,PGHM-XX	1
3	500-00007	PAD,HLDR,GLASS,PGHM-UFS	2
4	500-00003	SCREW,FH,PHL,MCH-TL,M4X6,CHR	2
5	500-00019	SCREW,FH,PHL,MCH-TL,M4X8,CHR	1
6	PGHM.U.L.NP	CAST,CLAMP,PGHM-XX	1
7	500-00016	KNOB,EXTERNAL THREAD,PGHM-UC	1
8	500-00018	CUP, METAL.PGHM-UC	1
9	500-00002	SCREW,AC,HEX,MCH,M6X20,CHR	1
10	500-00017	PAD,DIE-CUT,ADHSV,CLAMP,PGHM-UC	1



**NOTES:**

- ITEMS 3 AND 9 ARE PART OF HARDWARE KIT #PGHM-U-HWK.
- ITEM 4 IS PART OF HARDWARE KIT #PGHM-MFS-HWK.
- ITEM 5,7, AND 8 ARE PART OF HARDWARE KIT #PGHM-UC-HWK



Open Plan Systems  
 4700 Deepwater Terminal Rd  
 Richmond, VA 23234  
 p. 884.OPS.OPS1  
 f. 804.275.2329

**PROPRIETARY AND CONFIDENTIAL:**  
 The information contained in this drawing is the sole property of Open Plan Systems. Any reproduction or distribution, in part or as a whole, without the written permission of Open Plan Systems is prohibited.

REV	DATE	ECN	DESCRIPTION

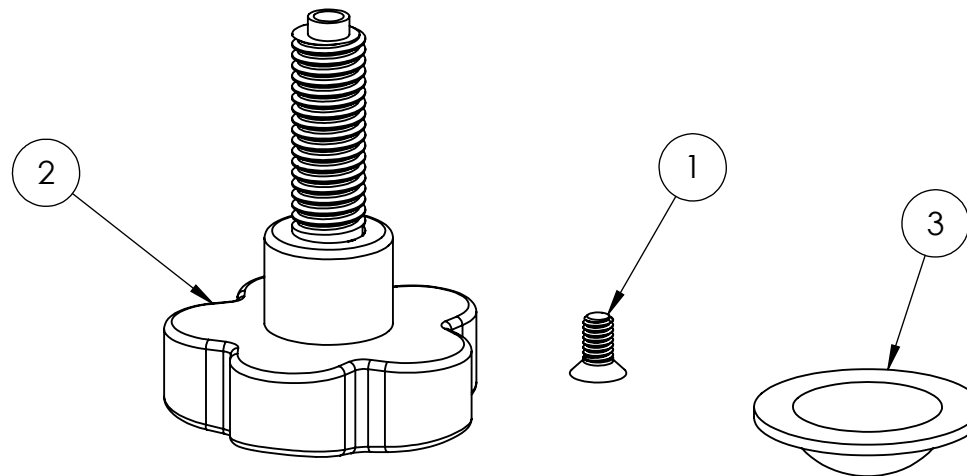
UNLESS OTHERWISE NOTED, DEBUR AND BREAK ALL SHARP EDGES TOLERANCES:

.X +/- .063 .XXX +/- .016  
 .XX +/- .031 ANGLES +/- 1°

DRAWN BY	NC	DRAWN DATE	12/22/2020
APPROVED BY	RM	APPROVED DATE	12/22/2020

PART #	PGHM-UC	REVISION	A
TITLE:	UNIVERSAL HOLDER - CLAMP	SHEET 1 OF 1	

ITEM NO.	PART NUMBER	DESCRIPTION	QTY.
1	500-00019	SCREW ,FH,PHL,MCH-TL,M4X8,CHR	1
2	500-00016	KNOB,EXTERNAL THREAD,PGHM-UC	1
3	500-00018	CUP, METAL.PGHM-UC	1



Open Plan Systems  
 4700 Deepwater Terminal Rd  
 Richmond, VA 23234  
 p. 884.OPS.OPS1  
 f. 804.275.2329

**PROPRIETARY AND CONFIDENTIAL:**  
 The information contained in this drawing is the sole property of Open Plan Systems. Any reproduction or distribution, in part or as a whole, without the written permission of Open Plan Systems is prohibited.

REV	DATE	ECN	DESCRIPTION

UNLESS OTHERWISE NOTED, DEBUR AND BREAK ALL SHARP EDGES  
 TOLERANCES:

.X +/- .063 .XXX +/- .016  
 .XX +/- .031 ANGLES +/- 1°

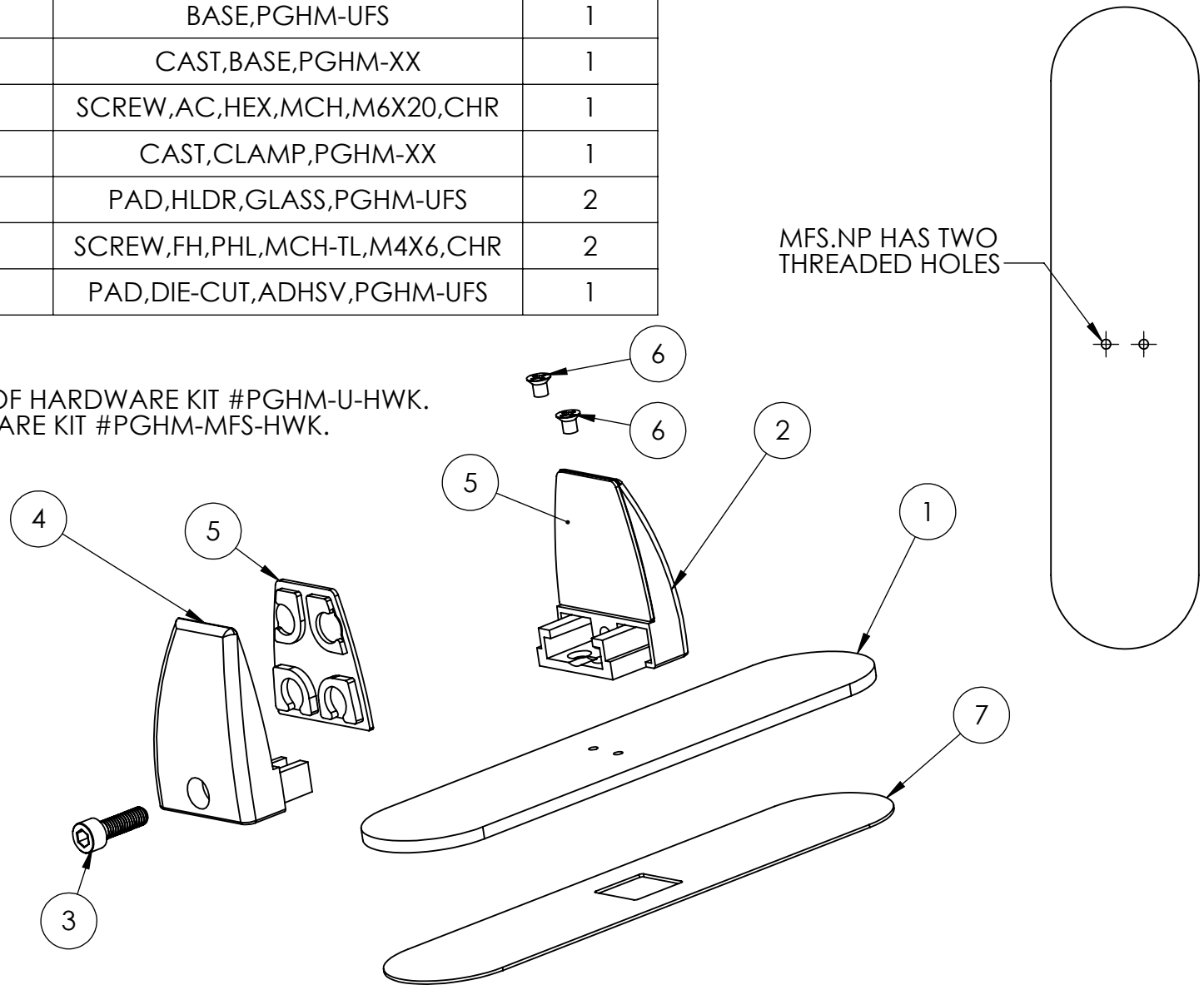
DRAWN BY	NC	DRAWN DATE	12/22/2020
APPROVED BY	NM	APPROVED DATE	12/22/2020

PART #	PGHM-UC-HWK	REVISION	A
TITLE:	HWK,PGHM-UC	SHEET 1 OF 1	

ITEM NO.	PART NUMBER	DESCRIPTION	QTY.
1	MFS.NP	BASE,PGHM-UFS	1
2	PGHM.U.R.NP	CAST,BASE,PGHM-XX	1
3	500-00002	SCREW,AC,HEX,MCH,M6X20,CHR	1
4	PGHM.U.L.NP	CAST,CLAMP,PGHM-XX	1
5	500-00007	PAD,HLDR,GLASS,PGHM-UFS	2
6	500-00003	SCREW,FH,PHL,MCH-TL,M4X6,CHR	2
7	MFS-FOAM	PAD,DIE-CUT,ADHSV,PGHM-UFS	1

NOTES:

- ITEMS 3 AND 5 ARE PART OF HARDWARE KIT #PGHM-U-HWK.
- ITEM 6 IS PART OF HARDWARE KIT #PGHM-MFS-HWK.



Open Plan Systems  
 4700 Deepwater Terminal Rd  
 Richmond, VA 23234  
 p. 884.OPS.OPS1  
 f. 804.275.2329

PROPRIETARY AND CONFIDENTIAL:  
 The information contained in this drawing is the sole property of Open Plan Systems. Any reproduction or distribution, in part or as a whole, without the written permission of Open Plan Systems is prohibited.

REV	DATE	ECN	DESCRIPTION

UNLESS OTHERWISE NOTED, DEBUR AND BREAK ALL SHARP EDGES TOLERANCES:

.X +/- .063 .XXX +/- .016  
 .XX +/- .031 ANGLES +/- 1°

DRAWN BY	ncorbo	DRAWN DATE	05/29/2020
APPROVED BY	RDM	APPROVED DATE	10/15/2020

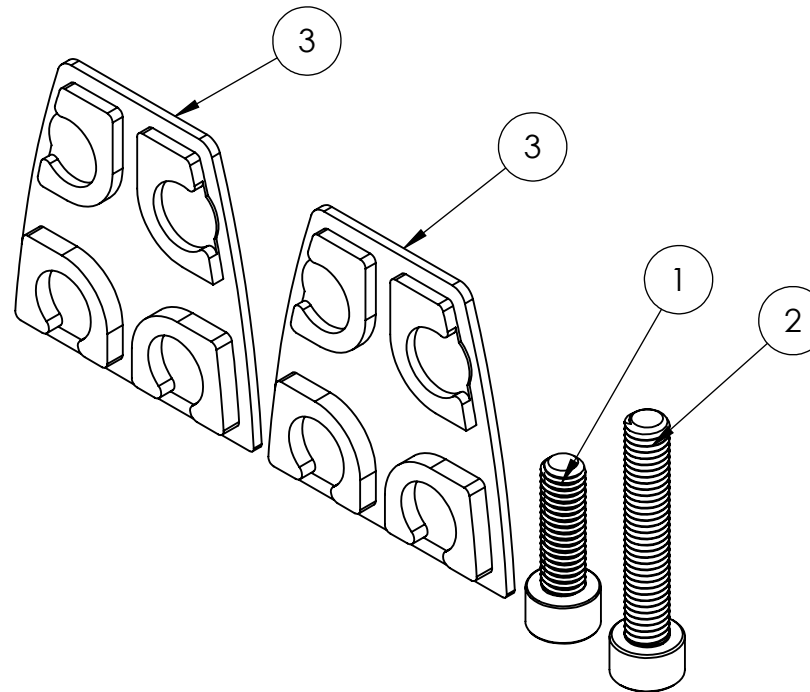
PART # PGHM-UFS

REVISION A

TITLE: FREESTANDING PGHM W/ BASE

SHEET 1 OF 1

ITEM NO.	PART NUMBER	DESCRIPTION	QTY.
1	500-00002	SCREW,AC,HEX,MCH,M6X20,CHR	1
2	500-00001	SCREW,AC,HEX,MCH,M6X35,CHR	1
3	500-00007	PAD,HLDR,GLASS,PGHM-UFS	2



Open Plan Systems  
 4700 Deepwater Terminal Rd  
 Richmond, VA 23234  
 p. 884.OPS.OPS1  
 f. 804.275.2329

**PROPRIETARY AND CONFIDENTIAL:**  
 The information contained in this drawing is the sole property of Open Plan Systems. Any reproduction or distribution, in part or as a whole, without the written permission of Open Plan Systems is prohibited.

REV	DATE	ECN	DESCRIPTION

UNLESS OTHERWISE NOTED, DEBUR AND BREAK ALL SHARP EDGES TOLERANCES:

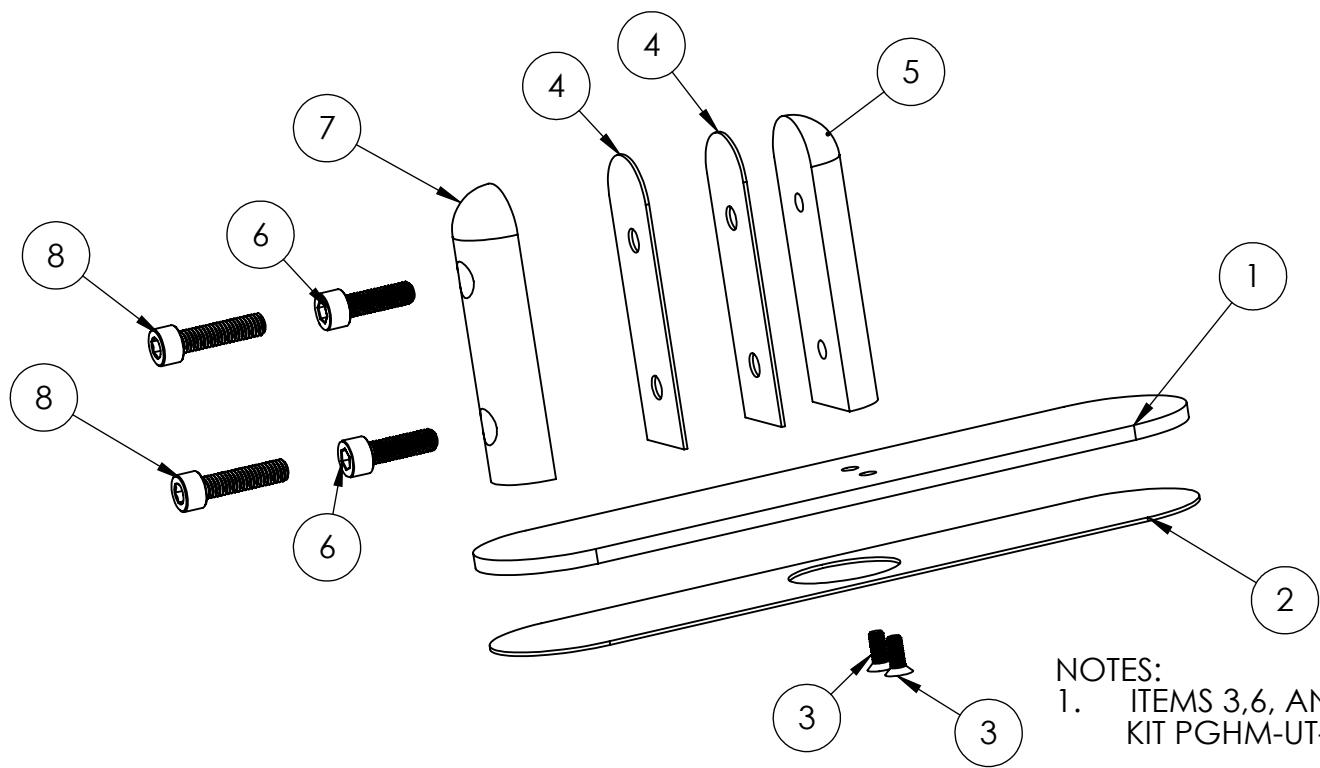
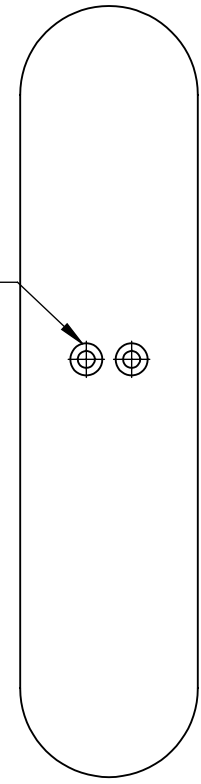
.X +/- .063 .XXX +/- .016  
 .XX +/- .031 ANGLES +/- 1°

DRAWN BY	NC	DRAWN DATE	10/02/2020
APPROVED BY	RDM	APPROVED DATE	10/15/2020

PART #	PGHM-U-HWK	REVISION	A
TITLE:	HWK,PGHM-U		SHEET 1 OF 1

ITEM NO.	PART NUMBER	DESCRIPTION	QTY.
1	460-00001	BASE,PGHM-UT	1
2	500-00008	PAD,DIE-CUT,ADHSV,PGHM-UT	1
3	500-00005	SCREW, FH, PHL, MCH, M4X10, CHR	2
4	500-00009	PAD,DIE-CUT,ADHSV,CLAMP,PGHM-UT	2
5	700-00001-00001	CAST,BASE,PGHM-UT	1
6	500-00002	SCREW, AC, HEX, MCH, M6X20, CHR	2
7	700-00001-00002	CAST,CLAMP,PGHM-UT	1
8	500-00004	SCREW, AC, HEX, MCH, M6X25, CHR	2

460-00001 HAS TWO COUNTERSUNK HOLES



NOTES:  
1. ITEMS 3,6, AND 8 ARE PART OF HARDWARE KIT PGHM-UT-HWK



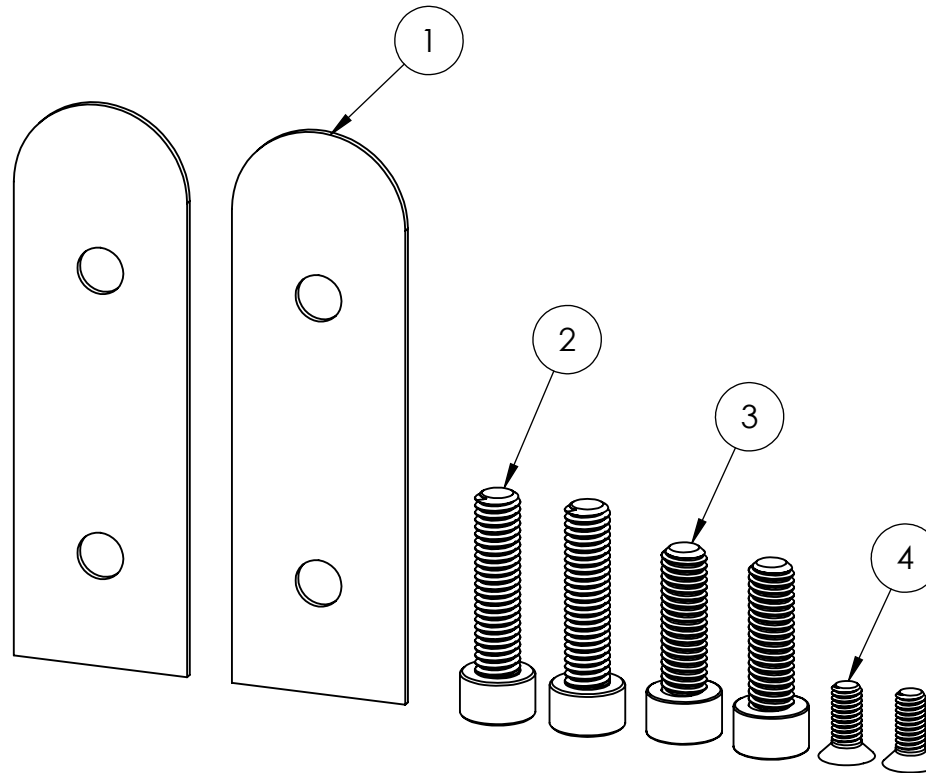
Open Plan Systems  
4700 Deepwater Terminal Rd  
Richmond, VA 23234  
p. 884.OPS.OPS1  
f. 804.275.2329

PROPRIETARY AND CONFIDENTIAL:  
The information contained in this drawing is the sole property of Open Plan Systems. Any reproduction or distribution, in part or as a whole, without the written permission of Open Plan Systems is prohibited.

REV	DATE	ECN	DESCRIPTION

UNLESS OTHERWISE NOTED, DEBUR AND BREAK ALL SHARP EDGES TOLERANCES: .X +/- .063 .XXX +/- .016 .XX +/- .031 ANGLES +/- 1°	DRAWN BY ncorbo	DRAWN DATE 3/11/2021
PART # PGHM-UT	APPROVED BY NM	APPROVED DATE 10/15/20
TITLE: TALL PGHM TO BE USED WITH FS, FREE STANDING, C, CLAMP OR U STYLE BASES	REVISION A	SHEET 1 OF 1

ITEM NO.	PART NUMBER	DESCRIPTION	QTY.
1	500-00009	PAD,DIE-CUT,ADHSV,CLAMP,PGHM-UT	2
2	500-00004	SCREW,AC,HEX,MCH,M6X25,CHR	2
3	500-00002	SCREW,AC,HEX,MCH,M6X20,CHR	2
4	500-00005	SCREW,FH,PHL,MCH,M4X10,CHR	2



Open Plan Systems  
 4700 Deepwater Terminal Rd  
 Richmond, VA 23234  
 p. 884.OPS.OPS1  
 f. 804.275.2329

**PROPRIETARY AND CONFIDENTIAL:**  
 The information contained in this drawing is the sole property of Open Plan Systems. Any reproduction or distribution, in part or as a whole, without the written permission of Open Plan Systems is prohibited.

REV	DATE	ECN	DESCRIPTION

UNLESS OTHERWISE NOTED, DEBUR AND BREAK ALL SHARP EDGES  
 TOLERANCES:

.X +/- .063 .XXX +/- .016  
 .XX +/- .031 ANGLES +/- 1°

DRAWN BY	NC	DRAWN DATE	10/07/2020
APPROVED BY	NM	APPROVED DATE	10/15/20

PART #	PGHM-UT-HWK	REVISION	A
TITLE:	HWK,PGHM-UT		SHEET 1 OF 1