

36X30X60 EXTENDED L BASE

SIT-STAND BASE TYPICAL



3D RENDERING

STATION SPECIFICATIONS

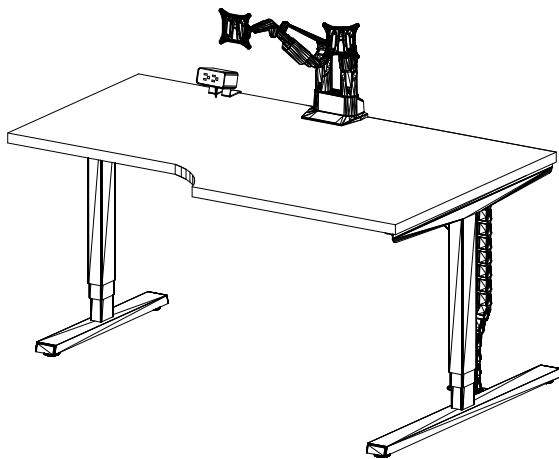
- Adjustable Height Table
- Extended L Base
- 3-Stage lift
- 36" x 30" x 60" top
- Dual monitor arms
- Desktop clamp duplex
- Wire management

FINISHES



SURFACE & EDGE
Satin Stainless

PAINT
BU



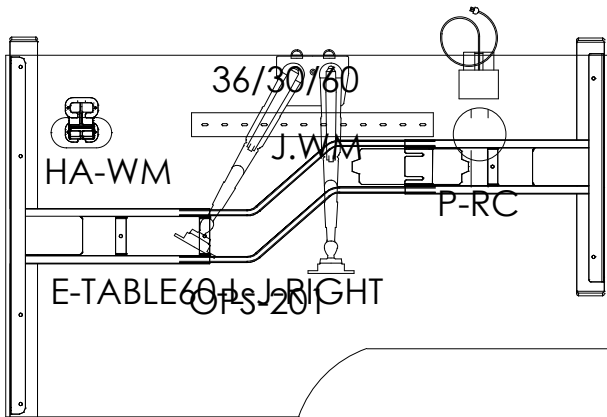
PRICING

See next page for full BOM.

\$5,577.⁰⁰ LIST TOTAL

Typical pricing is for reference only.
Pricing must be confirmed via official
Price Book or Customer Service.

3D PLAN LAYOUT



2D PLAN LAYOUT

36X30X60 EXTENDED L BASE

SIT-STAND BASE TYPICAL



PRICING

Part Number	Part Description	Qty	List	Ext List
E-TABLE60-L-J-RIGHT	Elec. Adj Table 60" L-Style - Right	1	\$3025.00	\$3025.00
AHTECCWS363060R	36X30X60 Adj Right Surface	1	\$939.00	\$939.00
XP-DUPLEX-P-RC	DUPLEX W/PLG / REAR CLAMP DESK MOUNT	1	\$225.00	\$225.00
OPS-201	DUAL MONITOR ARM W/ SLIM CLAMP/GR MOUNT	1	\$1169.00	\$1169.00
WM-E	Polypropylene Wire Management - 49.22 (For E-Table 48-72)	1	\$219.00	\$219.00

\$5,577.00 LIST TOTAL

Typical pricing is for reference only.
Pricing must be confirmed via official
Price Book or Customer Service.