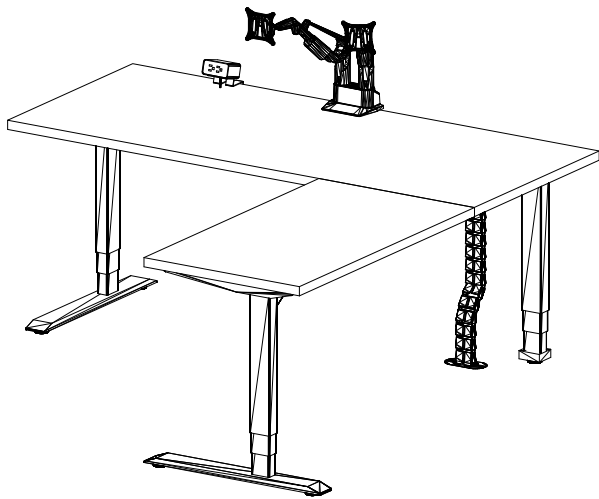


90 DEGREE BASE

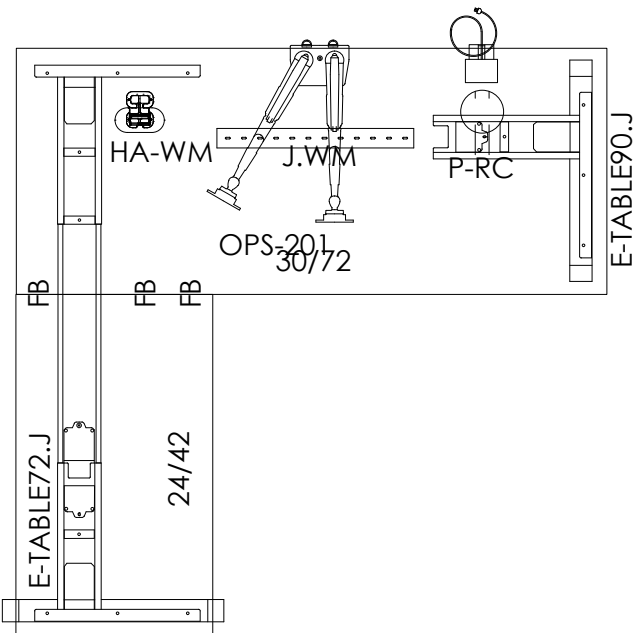
SIT-STAND BASE TYPICAL



3D RENDERING



3D PLAN LAYOUT

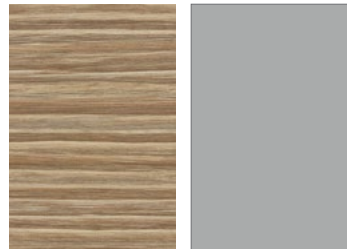


2D PLAN LAYOUT

STATION SPECIFICATIONS

- Adjustable Height Table
- 90° Base
- 3-Stage lift
- 30" x 72", 24" x 42" tops
- Dual monitor arms
- Desktop clamp duplex
- Wire management

FINISHES



SURFACE & EDGE
Buka Bark

PAINT
MS

PRICING

See next page for full BOM.

\$6,378.00 LIST TOTAL

Typical pricing is for reference only.
Pricing must be confirmed via official
Price Book or Customer Service.

90 DEGREE BASE

SIT-STAND BASE TYPICAL



PRICING

Part Number	Part Description	Qty	List	Ext List
AHTT3072	30" X 72" ADJUSTABLE HEIGHT TABLE TOP (NO HARDWARE OR BASE INCLUDED)	1	\$669.00	\$669.00
E-TABLE72-J-F	Elec. Adj Table 72" Cleg Float Leg Opt	1	\$2475.00	\$2475.00
AHTT2442	24"x42" ADJ HEIGHT TABLE TOP (HRDWR)	1	\$355.00	\$355.00
FLATBR 2 X 3	2" X 3" FLAT BRACKET	3	\$9.00	\$27.00
E-TABLE90-J	Lft Flt Leg to be used w/ Main Deluxe E-Table	1	\$1239.00	\$1239.00
WM-E	Polypropylene Wire Management - 49.22 (For E-Table 48-72)	1	\$219.00	\$219.00
OPS-201	DUAL MONITOR ARM W/ SLIM CLAMP/GR MOUNT	1	\$1169.00	\$1169.00
XP-DUPLEX-P-RC	DUPLEX W/PLG / REAR CLAMP DESK MOUNT	1	\$225.00	\$225.00

\$6,378.00 LIST TOTAL

Typical pricing is for reference only.
Pricing must be confirmed via official
Price Book or Customer Service.