

30X60 67H 6-PACK

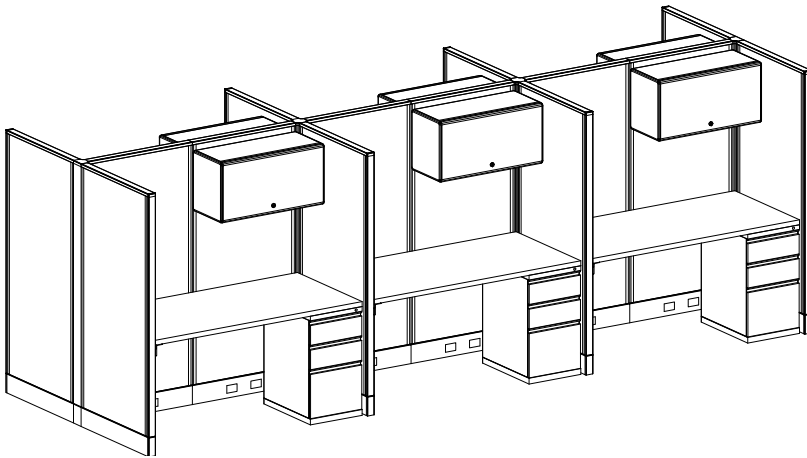
RAZOR SYSTEM TYPICAL



STATION SPECIFICATIONS

- Razor System
- Monolithic panels
- 30" x 60" - 6-Pack
- 67" panel height
- Base feed power
- 4 power REC/station
- Power down the spine
- BBF-FP storage pedestal
- Overhead flipper door unit

3D RENDERING



FINISHES



FABRIC
Dashing Refined Marble

SURFACE & EDGE
Shadow Ridge

PAINT
WF

PRICING

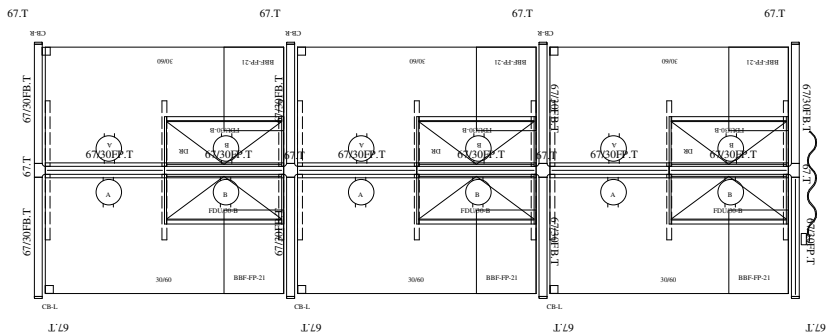
See next page for full BOM.

\$27,282.00 LIST TOTAL

\$4,547.00 PRICE PER STATION

Typical pricing is for reference only.
Pricing must be confirmed via official
Price Book or Customer Service.

3D PLAN LAYOUT



2D PLAN LAYOUT

30X60 67H 6-PACK

RAZOR SYSTEM TYPICAL



PRICING

Part Number	Part Description	Qty	List	Ext List
3WY67A2.T	67" 3 WAY CONNECTOR - THIN BASE	2	\$319.00	\$638.00
4WY67A2.T	67" 4 WAY CONNECTOR - THIN BASE	2	\$405.00	\$810.00
BBF-FP-21	BOX/BOX/FILE PEDESTAL FULL PULL 21"D W/OUT TOP	6	\$755.00	\$4,530.00
CRNRBR- LEFT	CORNER BRACKET (SPEC L OR R)	3	\$12.00	\$36.00
CRNRBR- RIGHT	CORNER BRACKET (SPEC L OR R)	3	\$12.00	\$36.00
EC67A2.T	67" END CAP W/ THIN BASE	8	\$79.00	\$632.00
F6730.T	67 X 30 FABRIC PANEL - THIN BASE	7	\$705.00	\$4,935.00
F6730PT	67 X 30 FABRIC PANEL - POWERED THIN BASE	7	\$1,029.00	\$7,203.00
FDU3012B	30 X 12 FLIPPER DOOR UNIT- B STYLE	6	\$545.00	\$3,270.00
PEK4 (L OR R)	4 CIR. BASE POWER ENTRY KIT	1	\$545.00	\$545.00
PTP62	62" PANEL TO PANEL CONNECTOR	3	\$31.00	\$93.00
REC/A.T	A CIRCUIT DUPLEX RECEPTACLE - THIN BASE	6	\$47.00	\$282.00
REC/B.T	B CIRCUIT DUPLEX RECEPTACLE - THIN BASE	6	\$47.00	\$282.00
WS3060	30 X 60 WORK SURFACE	6	\$665.00	\$3,990.00

\$27,282.00 LIST TOTAL

\$4,547.00 PRICE PER STATION

Typical pricing is for reference only.
Pricing must be confirmed via official
Price Book or Customer Service.