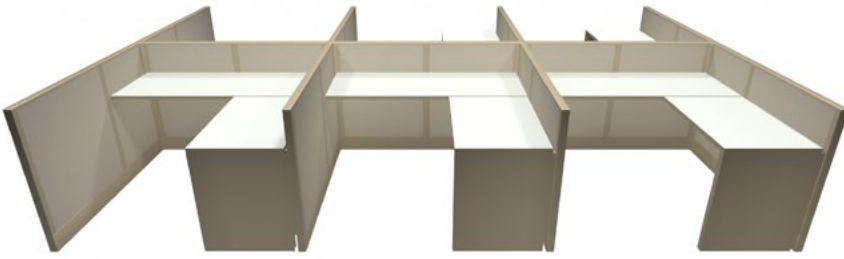


5X5 39H 6-PACK

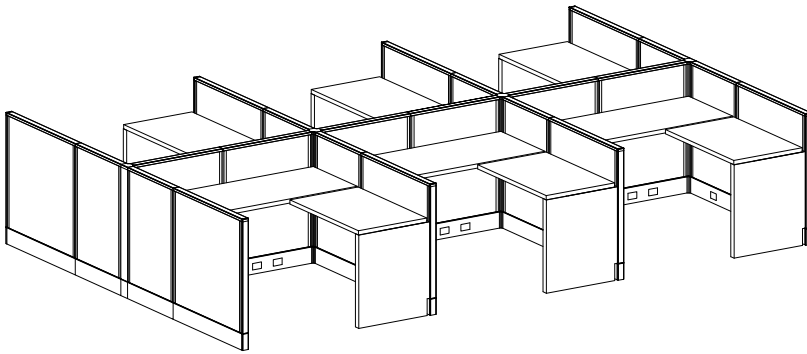
RAZOR SYSTEM TYPICAL

STATION SPECIFICATIONS

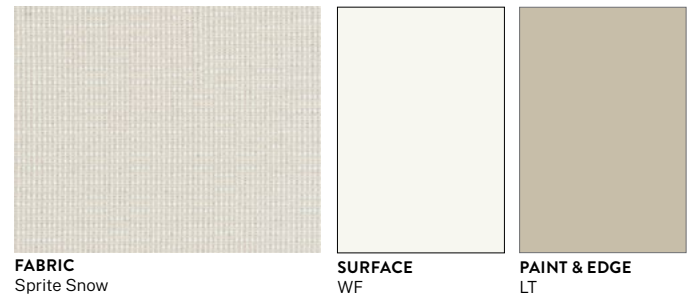
- Razor System
- Monolithic panels
- 5' x 5' - 6-Pack
- 39" panel height
- Base feed power
- 2 power REC/station
- Power down the spine



3D RENDERING



FINISHES

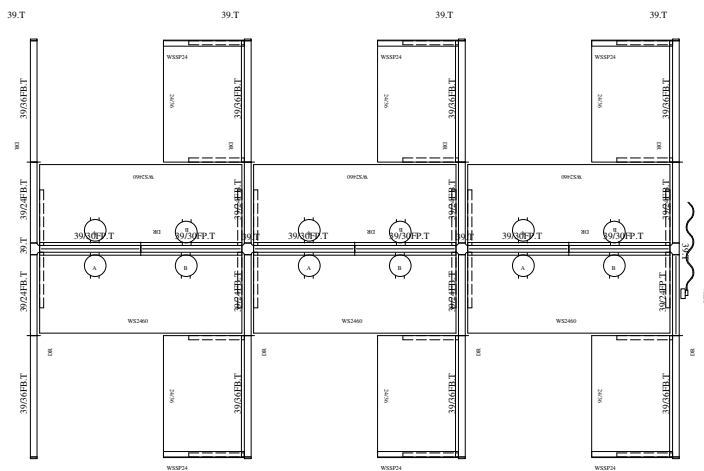


FABRIC
Sprite Snow

SURFACE
WF

PAINT & EDGE
LT

3D PLAN LAYOUT



2D PLAN LAYOUT

PRICING

See next page for full BOM.

\$25,297.00 LIST TOTAL

\$4,216.17 PRICE PER STATION

Typical pricing is for reference only.
Pricing must be confirmed via official
Price Book or Customer Service.

5X5 39H 6-PACK

RAZOR SYSTEM TYPICAL



PRICING

Part Number	Part Description	Qty	List	Ext List
3WY39A2.T	39" 3 WAY CONNECTOR - THIN BASE	2	\$255.00	\$510.00
4WY39A2.T	39" 4 WAY CONNECTOR - THIN BASE	2	\$319.00	\$638.00
EC39A2.T	39" END CAP W/ THIN BASE	8	\$69.00	\$552.00
F3924.T	39 X 24 FABRIC PANEL - THIN BASE	7	\$505.00	\$3,535.00
F3924PT	39 X 24 FABRIC PANEL - POWERED THIN BASE	1	\$819.00	\$819.00
F3930PT	39 X 30 FABRIC PANEL - POWERED THIN BASE	6	\$875.00	\$5,250.00
F3936.T	39 X 36 FABRIC PANEL - THIN BASE	8	\$619.00	\$4,952.00
PEK4 (L OR R)	4 CIR. BASE POWER ENTRY KIT	1	\$545.00	\$545.00
PTP34	34" PANEL TO PANEL CONNECTOR	11	\$30.00	\$330.00
REC/A.T	A CIRCUIT DUPLEX RECEPTACLE - THIN BASE	6	\$47.00	\$282.00
REC/B.T	B CIRCUIT DUPLEX RECEPTACLE - THIN BASE	6	\$47.00	\$282.00
WS2436	24 X 36 WORK SURFACE	6	\$379.00	\$2,274.00
WS2460	24 X 60 WORK SURFACE	6	\$539.00	\$3,234.00
WSSP24	24" WORK SURFACE SUPPORT PANEL	6	\$349.00	\$2,094.00

\$25,297.⁰⁰ LIST TOTAL

\$4,216.¹⁷ PRICE PER STATION

Typical pricing is for reference only.
Pricing must be confirmed via official
Price Book or Customer Service.