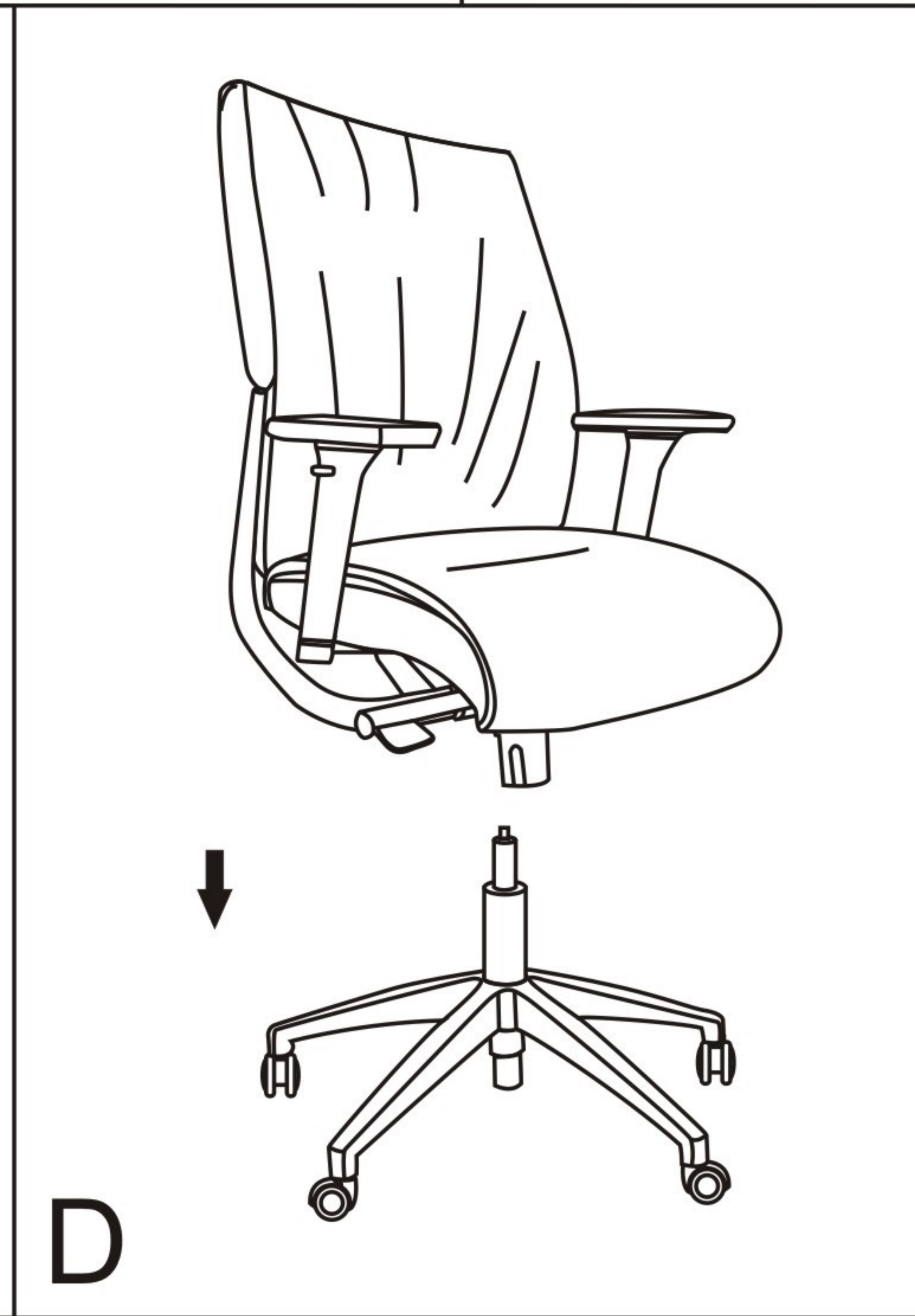
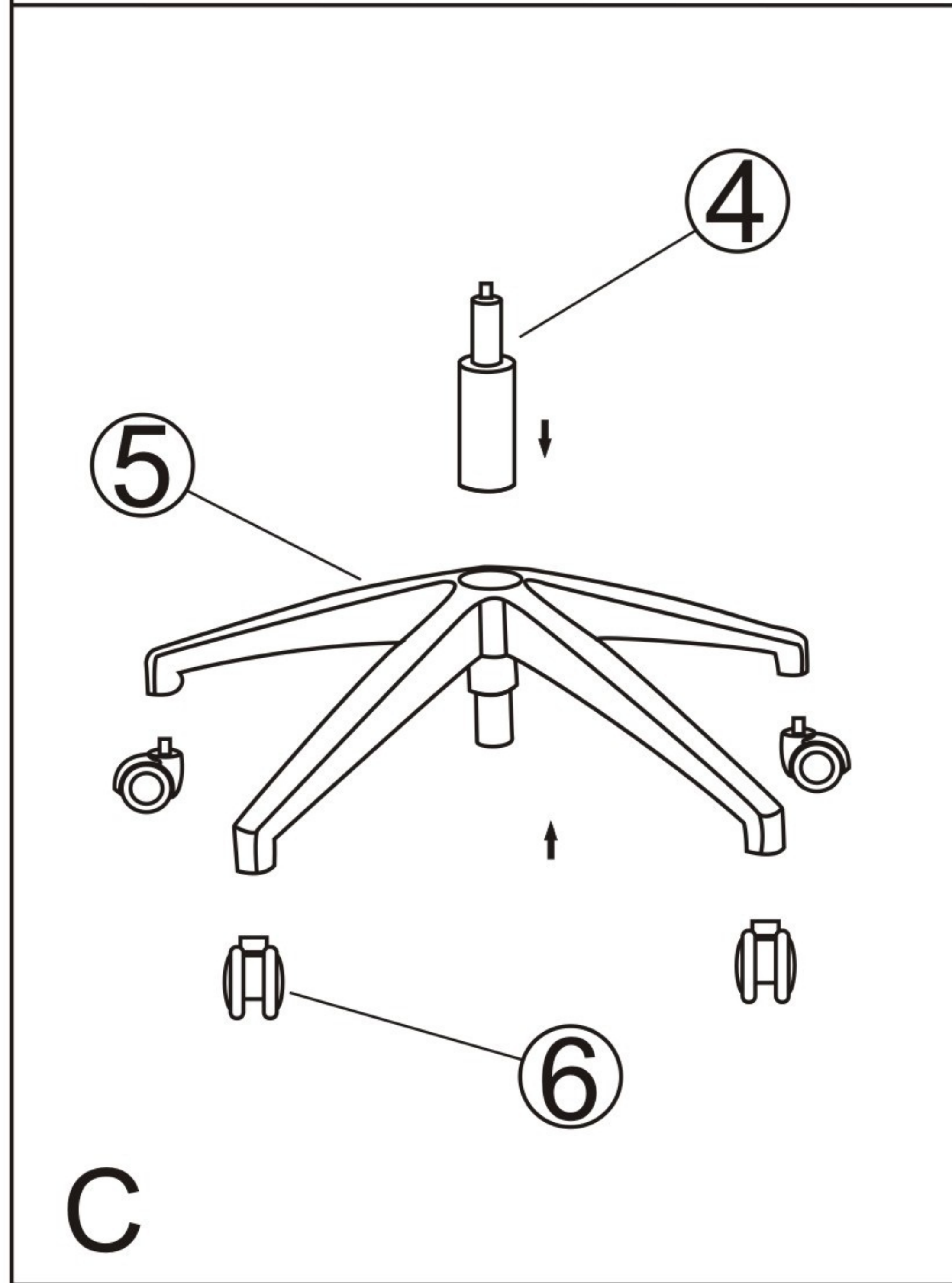
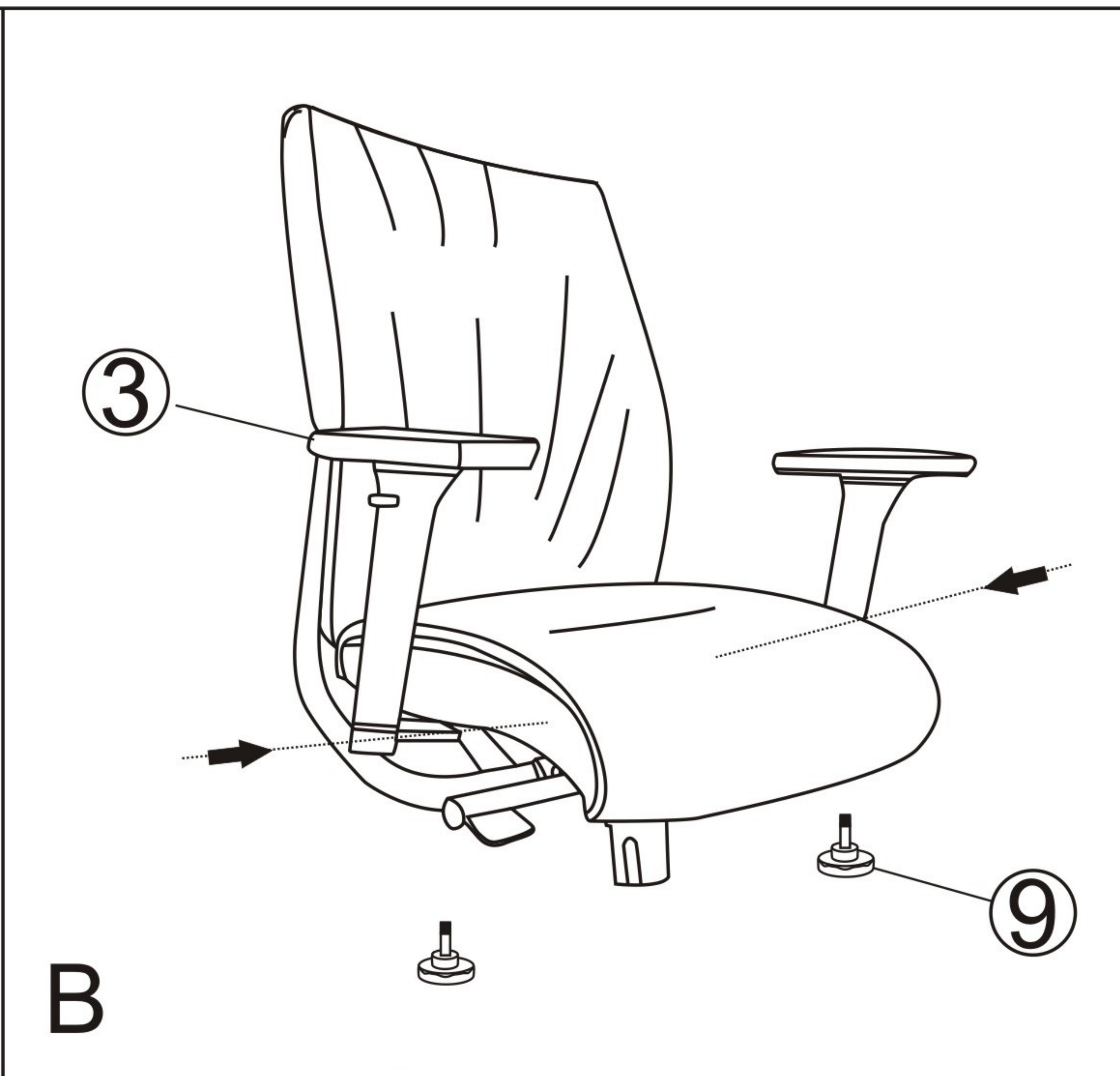
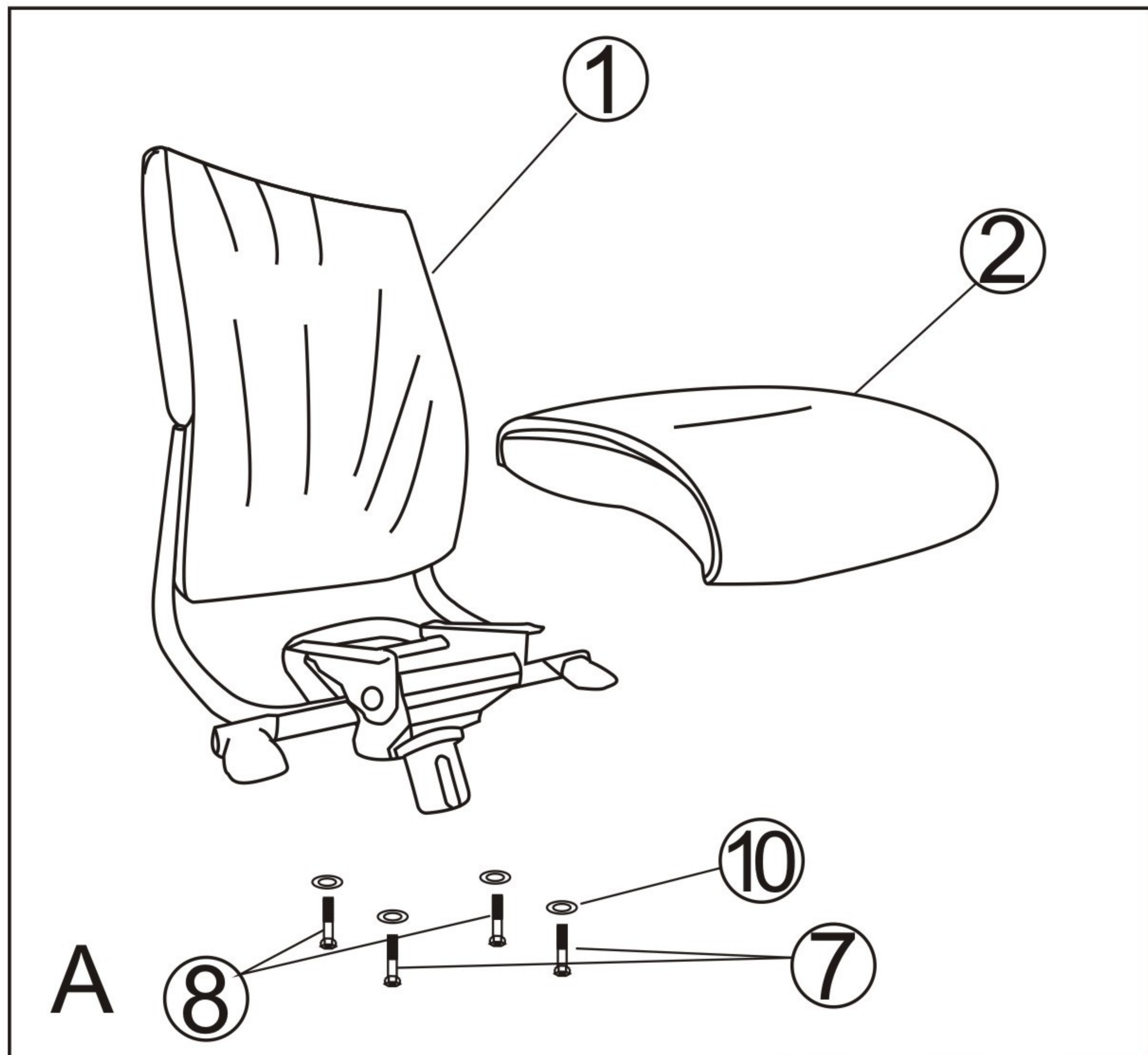


Assembly Instructions



No.	Accessories	Size	QTY
①			1
②			1
③			2
④			1
⑤			1
⑥			5
⑦		8*40	2
⑧		8*25	2
⑨			2
⑩		M8	4
Tool:		M6	1