

SIT-STAND PRICE BOOK

2022

AUGUST 1 2022

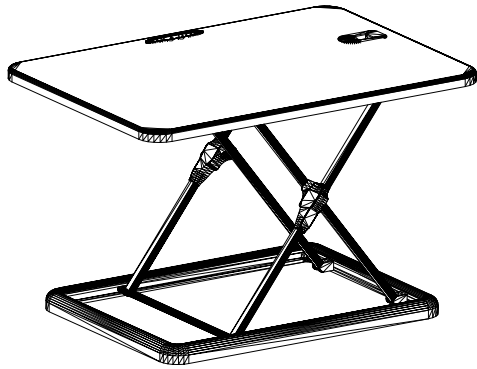
DESK RISERS MANUAL DESKTOP CONVERTER

DESCRIPTION
Our desk risers can turn any static desk into a sit-stand desktop!

SKU
DTR-LT

DESCRIPTION
Laptop Sit Stand Desk Riser

LIST
\$635



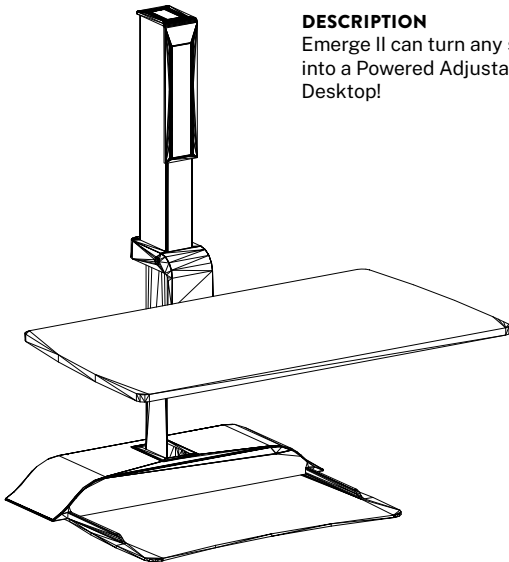
Perfect size for laptops!
NOTE: 17.6 lbs. weight limit

EMERGE II POWERED DESKTOP CONVERTER

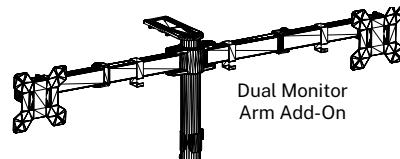
DESCRIPTION
Emerge II can turn any static desk into a Powered Adjustable Height Desktop!

SKU	DESCRIPTION	LIST
E-DOC-II	Powered Adjustable Height Desktop - White	\$1,765
E-DOC-II.BLK	Powered Adjustable Height Desktop - Black	\$1,765
E-DOC-S	Single Monitor add-on Accessory	\$149
E-DOC-D	Dual Monitor add-on Accessory	\$375
E-DOC-T	Triple Monitor add-on Accessory	\$599
E-DOC-II-REMOTE	Replacement Emerge II remote control	\$139

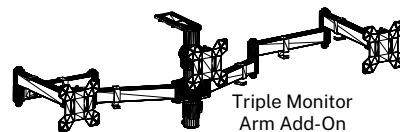
NOTE: Monitor arms are an add-on and must be purchased in addition to E-DOC-II.



Single Monitor Arm Add-On

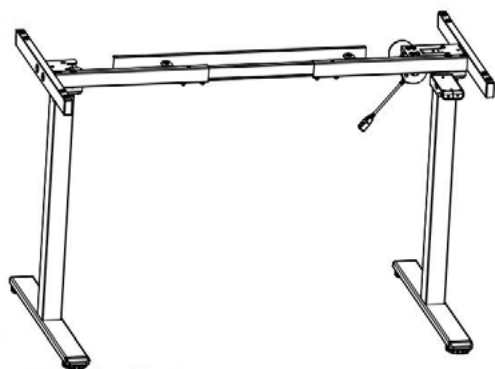


Dual Monitor Arm Add-On



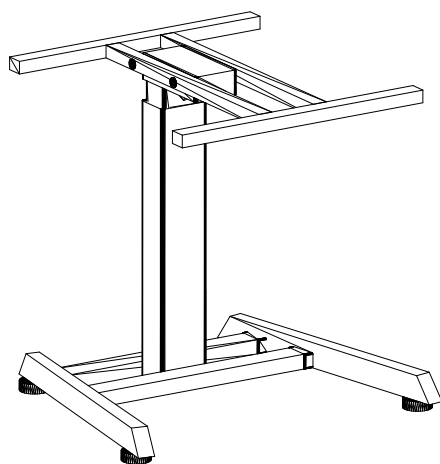
Triple Monitor Arm Add-On

SINGLE BASE



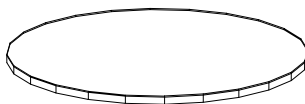
SKU	DESCRIPTION	LIST
TABLE-2S-HOME-OFFICE.XX	Home Office Adjust Height Table - 2-Stage	\$1,125
Available in black and White only.		

SINGLE BASE

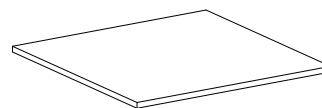


SKU	DESCRIPTION	LIST
E-TABLE-CORNER.BU	Single Powered Adjustable Height Base - 2-Stage	\$2,255
Available in BU finish only.		

STANDARD TOPS FOR SINGLE BASE



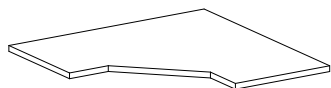
ROUND	
SKU	LIST
RT36	\$635
RT42	\$789



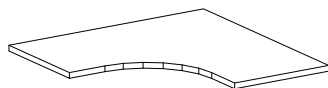
SQUARE	
SKU	LIST
SQ3636	\$655
SQ4242	\$815

PINCH POINT COMPLIANT SKUs

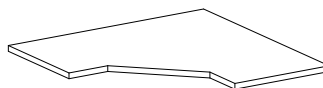
To meet pinch point compliant safety standards for sit-stand work surfaces, see below alternate SKUs for our sit-stand work surfaces that are 1" shorter in depth and width to accommodate possible pinch points for work surfaces in stations.



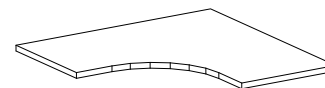
STRAIGHT CORNER	
SKU	LIST
AHCWS363624	\$589
AHCWS363630	\$645
AHCWS424224	\$645
AHCWS424230	\$669



CURVED CORNER	
SKU	LIST
AHCCWS363624	\$569
AHCCWS363630	\$619
AHCCWS424224	\$619
AHCCWS424230	\$645

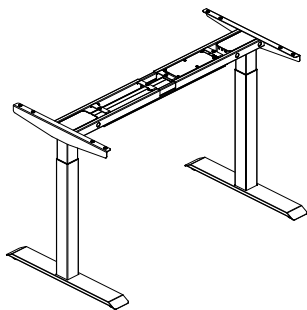


STRAIGHT CORNER	
SKU	LIST
AHCWS353523	\$589
AHCWS353529	\$645
AHCWS414123	\$645
AHCWS414129	\$669



CURVED CORNER	
SKU	LIST
AHCCWS353523	\$569
AHCCWS353529	\$619
AHCCWS414123	\$619
AHCCWS414129	\$645

NOTE: Corner grommets (GRCUT) do not come standard on sit-stand base tops (AHCWS, AHCCWS, AHTECCWS) and must be specified separately.



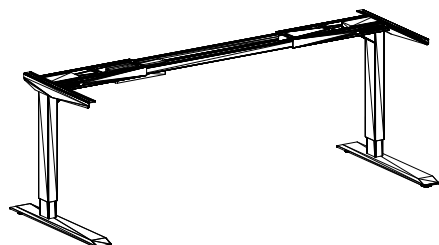
2-STAGE STRAIGHT BASE (T-LEG)

DESCRIPTION
Our most affordable sit-stand solution! Comes with easy assembly fold-out T-Legs.

SKU	DESCRIPTION	LIST
E-TABLE-2S-T-LEG-XX	Straight Powered Adjustable Height Base - 2-Stage	\$2,065

NOTES: XX denotes finish color. Available in BU and MS finishes.

Does not support tops below 47"W.

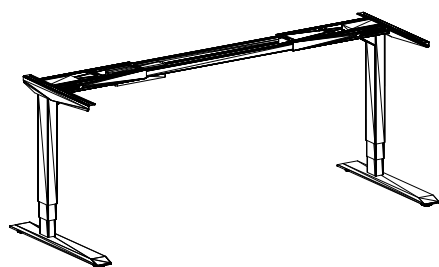


2-STAGE STRAIGHT BASE (C-LEG)

DESCRIPTION
Our 2-Stage Straight Base offers a low-cost solution w/ easy assembly fold-out C-Legs.

SKU	DESCRIPTION	LIST
E-TABLE-2S-48-72-J-XX	Straight Powered Adjustable Height Base - 2-Stage	\$2,359

NOTE: XX denotes finish color. Available in BU and MS finishes.

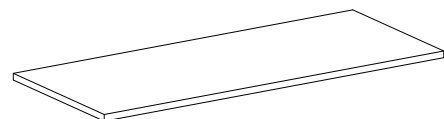


3-STAGE STRAIGHT BASE (C-LEG)

DESCRIPTION
Our 3-Stage Straight Base offers all the benefits of a 3-Stage lift w/ easy assembly fold-out C-Legs.

SKU	DESCRIPTION	LIST
E-TABLE48-72-J-XX	Straight Powered Adjustable Height Base - 3-Stage	\$2,809

NOTE: XX denotes finish color. Available in BU, MS, MT, WF finishes.



PINCH POINT COMPLIANT SKUs

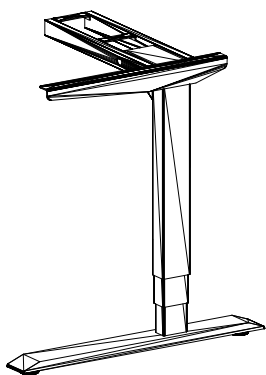
To meet pinch point compliant safety standards for sit-stand work surfaces, see below alternate SKUs for our sit-stand work surfaces that are 1" shorter in depth and width to accommodate possible pinch points for work surfaces in stations.

STANDARD TOPS FOR STRAIGHT BASE

24"D	SKU	DESCRIPTION	LIST
	AHTT2442	24"x42" Adjustable Height Top	\$405
	AHTT2448	24"x48" Adjustable Height Top	\$429
	AHTT2460	24"x60" Adjustable Height Top	\$505
	AHTT2466	24"x66" Adjustable Height Top	\$545
	AHTT2472	24"x72" Adjustable Height Top	\$615
	AHTT2478	24"x78" Adjustable Height Top	\$655
	AHTT2484	24"x84" Adjustable Height Top	\$645
30"D	SKU	DESCRIPTION	LIST
	AHTT3042	30"x42" Adjustable Height Top	\$485
	AHTT3048	30"x48" Adjustable Height Top	\$519
	AHTT3060	30"x60" Adjustable Height Top	\$619
	AHTT3066	30"x66" Adjustable Height Top	\$679
	AHTT3072	30"x72" Adjustable Height Top	\$759
	AHTT3078	30"x78" Adjustable Height Top	\$789
	AHTT3084	30"x84" Adjustable Height Top	\$799
36"D	SKU	DESCRIPTION	LIST
	AHTT3642	36"x42" Adjustable Height Top	\$619
	AHTT3648	36"x48" Adjustable Height Top	\$645
	AHTT3660	36"x60" Adjustable Height Top	\$719
	AHTT3666	36"x66" Adjustable Height Top	\$799
	AHTT3672	36"x72" Adjustable Height Top	\$905
	AHTT3678	36"x78" Adjustable Height Top	\$985

PINCH POINT COMPLIANT TOPS FOR STRAIGHT BASE

23"D	SKU	DESCRIPTION	LIST
	AHTT2341	23"x41" Adjustable Height Top	\$405
	AHTT2347	23"x47" Adjustable Height Top	\$429
	AHTT2359	23"x59" Adjustable Height Top	\$505
	AHTT2365	23"x64" Adjustable Height Top	\$545
	AHTT2371	23"x71" Adjustable Height Top	\$615
	AHTT2377	23"x77" Adjustable Height Top	\$655
	AHTT2383	23"x83" Adjustable Height Top	\$645
29"D	SKU	DESCRIPTION	LIST
	AHTT2941	29"x41" Adjustable Height Top	\$485
	AHTT2947	29"x47" Adjustable Height Top	\$519
	AHTT2959	29"x59" Adjustable Height Top	\$619
	AHTT2965	29"x65" Adjustable Height Top	\$679
	AHTT2971	29"x71" Adjustable Height Top	\$759
	AHTT2977	29"x77" Adjustable Height Top	\$789
	AHTT2983	29"x83" Adjustable Height Top	\$799
23"D	SKU	DESCRIPTION	LIST
	AHTT3541	35"x41" Adjustable Height Top	\$619
	AHTT3547	35"x47" Adjustable Height Top	\$645
	AHTT3559	35"x59" Adjustable Height Top	\$719
	AHTT3565	35"x65" Adjustable Height Top	\$645
	AHTT3571	35"x71" Adjustable Height Top	\$905
	AHTT3577	35"x76" Adjustable Height Top	\$985



FLOAT LEG FOR STRAIGHT BASE (3-STAGE)

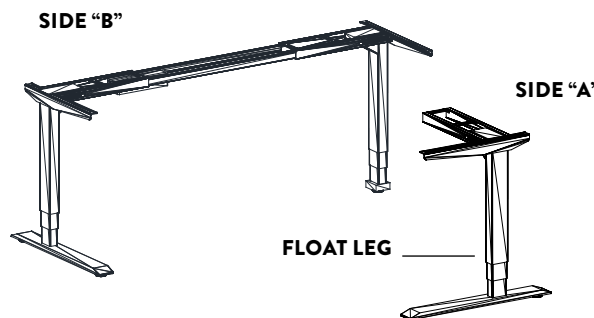
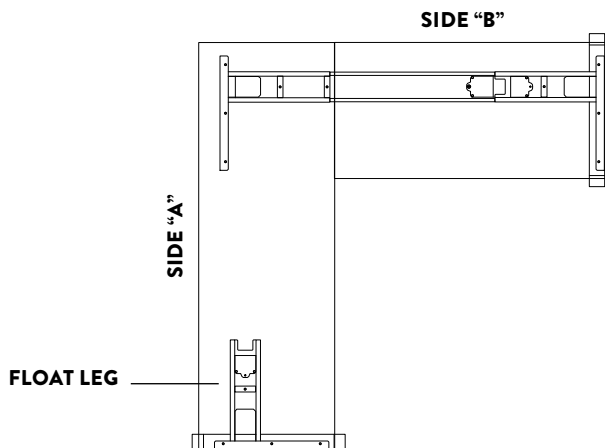
DESCRIPTION
Attaches to existing Straight Base allowing to run a 90 degree table w/ two Work Surfaces.

NOTE: Available for 3-Stage Straight Base only (not compatible w/ 2-Stage Straight Base).

SKU	DESCRIPTION	LIST
E-TABLE90-J.XX	Float Leg Attachment for Straight Base	\$1,405
FLATBR 2x3	Flat Bracket	\$11

NOTE: Open Plan Systems recommends using two Flat Brackets per float station for increased stability.
Float price includes switching out controller.
.XX denotes finish color.
Available in BU, MS, MT, WF finishes.

FLOAT LEG EXAMPLE



PINCH POINT COMPLIANT SKUs

To meet pinch point compliant safety standards for sit-stand work surfaces, see below alternate SKUs for our sit-stand work surfaces that are 1" shorter in depth and width to accommodate possible pinch points in stations.

STANDARD TOPS FOR SIDE "A"

24"D	SKU	DESCRIPTION	LIST
	AHTT2442	24"x42" Adjustable Height Top	\$405
	AHTT2448	24"x48" Adjustable Height Top	\$429
	AHTT2460	24"x60" Adjustable Height Top	\$505
	AHTT2466	24"x66" Adjustable Height Top	\$545
	AHTT2472	24"x72" Adjustable Height Top	\$615

30"D	SKU	DESCRIPTION	LIST
	AHTT3042	30"x42" Adjustable Height Top	\$485
	AHTT3048	30"x48" Adjustable Height Top	\$519
	AHTT3060	30"x60" Adjustable Height Top	\$619
	AHTT3066	30"x66" Adjustable Height Top	\$679
	AHTT3072	30"x72" Adjustable Height Top	\$759

STANDARD TOPS FOR SIDE "B"

24"D	SKU	DESCRIPTION	LIST
	AHTT2442	24"x42" Adjustable Height Top	\$405
	AHTT2448	24"x48" Adjustable Height Top	\$429

30"D	SKU	DESCRIPTION	LIST
	AHTT3042	30"x42" Adjustable Height Top	\$485
	AHTT3048	30"x48" Adjustable Height Top	\$519

PINCH POINT COMPLIANT TOPS FOR SIDE "A"

23"D	SKU	DESCRIPTION	LIST
	AHTT2341	23"x41" Adjustable Height Top	\$405
	AHTT2347	23"x47" Adjustable Height Top	\$429
	AHTT2359	23"x59" Adjustable Height Top	\$505
	AHTT2365	23"x64" Adjustable Height Top	\$545
	AHTT2371	23"x71" Adjustable Height Top	\$615

29"D	SKU	DESCRIPTION	LIST
	AHTT2941	29"x41" Adjustable Height Top	\$485
	AHTT2947	29"x47" Adjustable Height Top	\$519
	AHTT2959	29"x59" Adjustable Height Top	\$619
	AHTT2965	29"x65" Adjustable Height Top	\$679
	AHTT2971	29"x71" Adjustable Height Top	\$759

PINCH POINT COMPLIANT TOPS FOR SIDE "B"

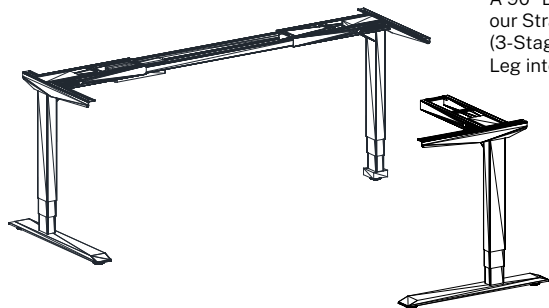
23"D	SKU	DESCRIPTION	LIST
	AHTT2341	23"x41" Adjustable Height Top	\$405
	AHTT2347	23"x47" Adjustable Height Top	\$429

29"D	SKU	DESCRIPTION	LIST
	AHTT2941	29"x41" Adjustable Height Top	\$485
	AHTT2947	29"x47" Adjustable Height Top	\$519

90° BASE

DESCRIPTION

A 90° Base combining our Straight Base (3-Stage) and 90° Float Leg into one package!

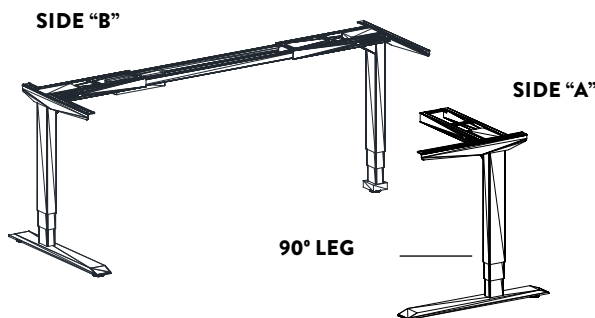
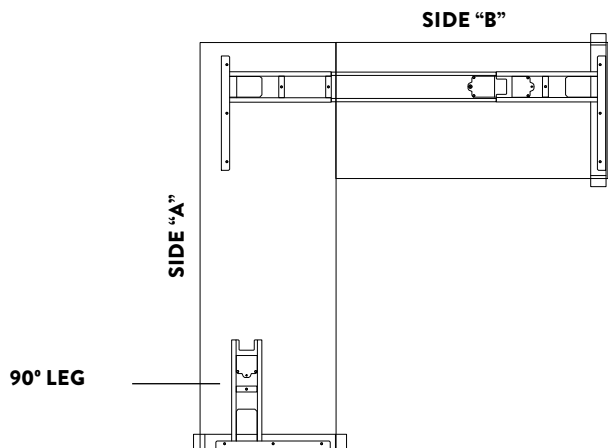


SKU	DESCRIPTION	LIST
E-TABLE48-72-90-J.XX	90° Powered Adjustable Height Base - 3-Stage	\$4,045
FLATBR 2x3	Flat Bracket	\$11

NOTE: Open Plan Systems recommends using two Flat Brackets per 90° Base station for increased stability.

.XX denotes finish color. Available in BU, MS, MT, WF finishes.

SET UP EXAMPLE



PINCH POINT COMPLIANT SKUs

To meet pinch point compliant safety standards for sit-stand work surfaces, see below alternate SKUs for our sit-stand work surfaces that are 1" shorter in depth and width to accommodate possible pinch points in stations.

STANDARD TOPS FOR SIDE "A"

24"D	SKU	DESCRIPTION	LIST
	AHTT2442	24"x42" Adjustable Height Top	\$405
	AHTT2448	24"x48" Adjustable Height Top	\$429
	AHTT2460	24"x60" Adjustable Height Top	\$505
	AHTT2466	24"x66" Adjustable Height Top	\$545
	AHTT2472	24"x72" Adjustable Height Top	\$615

30"D	SKU	DESCRIPTION	LIST
	AHTT3042	30"x42" Adjustable Height Top	\$485
	AHTT3048	30"x48" Adjustable Height Top	\$519
	AHTT3060	30"x60" Adjustable Height Top	\$619
	AHTT3066	30"x66" Adjustable Height Top	\$679
	AHTT3072	30"x72" Adjustable Height Top	\$759

STANDARD TOPS FOR SIDE "B"

24"D	SKU	DESCRIPTION	LIST
	AHTT2442	24"x42" Adjustable Height Top	\$405
	AHTT2448	24"x48" Adjustable Height Top	\$429

30"D	SKU	DESCRIPTION	LIST
	AHTT3042	30"x42" Adjustable Height Top	\$485
	AHTT3048	30"x48" Adjustable Height Top	\$519

PINCH POINT COMPLIANT TOPS FOR SIDE "A"

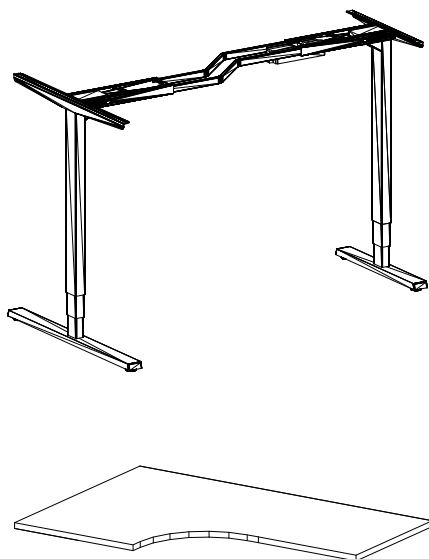
23"D	SKU	DESCRIPTION	LIST
	AHTT2341	23"x41" Adjustable Height Top	\$405
	AHTT2347	23"x47" Adjustable Height Top	\$429
	AHTT2359	23"x59" Adjustable Height Top	\$505
	AHTT2365	23"x64" Adjustable Height Top	\$545
	AHTT2371	23"x71" Adjustable Height Top	\$615

29"D	SKU	DESCRIPTION	LIST
	AHTT2941	29"x41" Adjustable Height Top	\$485
	AHTT2947	29"x47" Adjustable Height Top	\$519
	AHTT2959	29"x59" Adjustable Height Top	\$619
	AHTT2965	29"x65" Adjustable Height Top	\$679
	AHTT2971	29"x71" Adjustable Height Top	\$759

PINCH POINT COMPLIANT TOPS FOR SIDE "B"

23"D	SKU	DESCRIPTION	LIST
	AHTT2341	23"x41" Adjustable Height Top	\$405
	AHTT2347	23"x47" Adjustable Height Top	\$429

29"D	SKU	DESCRIPTION	LIST
	AHTT2941	29"x41" Adjustable Height Top	\$485
	AHTT2947	29"x47" Adjustable Height Top	\$519



EXTENDED L BASE

DESCRIPTION

Our Extended L Base is compatible w/ our L-Style tops to help provide an extended corner surface.

SKU	DESCRIPTION	LIST
E-TABLE-L-J.XX	Extended L Base Powered Adjustable Height Workstation - 3 Stage	\$3,435

NOTE: XX denotes finish color. Available in BU, MS, MT, WF finishes.

PINCH POINT COMPLIANT SKU's

To meet pinch point compliant safety standards for sit-stand work surfaces, see below alternate SKUs for our sit-stand work surfaces that are 1" shorter in depth and width to accommodate possible pinch points in stations.

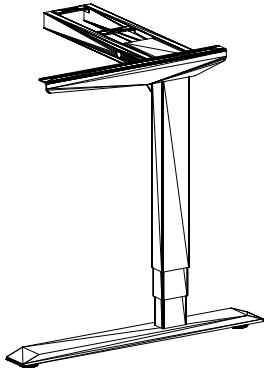
STANDARD TOPS FOR EXTENDED L BASE

60"W	SKU	DESCRIPTION	LIST
	AHTECCWS362460L	L Ext Curvilinear Corner Top 36x24x60	\$969
	AHTECCWS362460R	R Ext Curvilinear Corner Top 36x24x60	\$969
	AHTECCWS363060L	L Ext Curvilinear Corner Top 36x30x60	\$1,065
	AHTECCWS363060R	R Ext Curvilinear Corner Top 36x30x60	\$1,065
66"W	SKU	DESCRIPTION	LIST
	AHTECCWS362466L	L Ext Curvilinear Corner Top 36x24x66	\$995
	AHTECCWS362466R	R Ext Curvilinear Corner Top 36x24x66	\$995
	AHTECCWS363066L	L Ext Curvilinear Corner Top 36x30x66	\$1,135
	AHTECCWS363066R	R Ext Curvilinear Corner Top 36x30x66	\$1,135
	AHTECCWS422466L	L Ext Curvilinear Corner Top 42x24x66	\$1,055
	AHTECCWS422466R	R Ext Curvilinear Corner Top 42x24x66	\$1,055
	AHTECCWS423066L	L Ext Curvilinear Corner Top 42x30x66	\$1,149
	AHTECCWS423066R	R Ext Curvilinear Corner Top 42x30x66	\$1,149
72"W	SKU	DESCRIPTION	LIST
	AHTECCWS362472L	L Ext Curvilinear Corner Top 36x24x72	\$1,055
	AHTECCWS362472R	R Ext Curvilinear Corner Top 36x24x72	\$1,055
	AHTECCWS363072L	L Ext Curvilinear Corner Top 36x30x72	\$1,235
	AHTECCWS363072R	R Ext Curvilinear Corner Top 36x30x72	\$1,235
	AHTECCWS422472L	L Ext Curvilinear Corner Top 42x24x72	\$1,129
	AHTECCWS422472R	R Ext Curvilinear Corner Top 42x24x72	\$1,129
	AHTECCWS423072L	L Ext Curvilinear Corner Top 42x30x72	\$1,235
	AHTECCWS423072R	R Ext Curvilinear Corner Top 42x30x72	\$1,235
	AHTECCWS482472L	L Ext Curvilinear Corner Top 48x24x72	\$1,219
	AHTECCWS482472R	R Ext Curvilinear Corner Top 48x24x72	\$1,219

PINCH POINT COMPLIANT TOPS FOR EXTENDED L BASE

59"W	SKU	DESCRIPTION	LIST
	AHTECCWS352359L	L Ext Curvilinear Corner Top 35x23x59	\$969
	AHTECCWS352359R	R Ext Curvilinear Corner Top 35x23x59	\$969
	AHTECCWS352959L	L Ext Curvilinear Corner Top 35x29x59	\$1,065
	AHTECCWS352959R	R Ext Curvilinear Corner Top 35x29x59	\$1,065
65"W	SKU	DESCRIPTION	LIST
	AHTECCWS352365L	L Ext Curvilinear Corner Top 35x23x65	\$995
	AHTECCWS352365R	R Ext Curvilinear Corner Top 35x23x65	\$995
	AHTECCWS352965L	L Ext Curvilinear Corner Top 35x29x65	\$1,135
	AHTECCWS352965R	R Ext Curvilinear Corner Top 35x29x65	\$1,135
	AHTECCWS412365L	L Ext Curvilinear Corner Top 41x23x65	\$1,055
	AHTECCWS412365R	R Ext Curvilinear Corner Top 41x23x65	\$1,055
	AHTECCWS412965L	L Ext Curvilinear Corner Top 41x29x65	\$1,149
	AHTECCWS412965R	R Ext Curvilinear Corner Top 41x29x65	\$1,149
71"W	SKU	DESCRIPTION	LIST
	AHTECCWS352371L	L Ext Curvilinear Corner Top 35x23x71	\$1,055
	AHTECCWS352371R	R Ext Curvilinear Corner Top 35x23x71	\$1,055
	AHTECCWS352971L	L Ext Curvilinear Corner Top 35x29x71	\$1,235
	AHTECCWS352971R	R Ext Curvilinear Corner Top 35x29x71	\$1,235
	AHTECCWS412371L	L Ext Curvilinear Corner Top 41x23x71	\$1,129
	AHTECCWS412371R	R Ext Curvilinear Corner Top 41x23x71	\$1,129
	AHTECCWS412971L	L Ext Curvilinear Corner Top 41x29x71	\$1,235
	AHTECCWS412971R	R Ext Curvilinear Corner Top 41x29x71	\$1,235
	AHTECCWS472371L	L Ext Curvilinear Corner Top 47x23x71	\$1,219
	AHTECCWS472371R	R Ext Curvilinear Corner Top 47x23x71	\$1,219

NOTE: Corner grommets (GRCUT) do not come standard on sit-stand base tops (AHCWS, AHCCWS, AHTECCWS) and must be specified separately.



90° FLOAT LEG FOR EXTENDED L BASE

DESCRIPTION

Attaches to existing Straight Base allowing to run a 90 degree table w/ two work surfaces.

NOTE: When adding a float leg, T-Leg Foot must also be specified.

SKU	DESCRIPTION	LIST
E-TABLE90-J.XX	Float Leg Attachment for Ext. L Base	\$1,405
FLATBR 2x3	Flat Bracket	\$11
E-TABLEFT-J	T-Leg Foot for Extended L Base	\$135

NOTE: Recommend using two Flat Brackets per float station for increased stability.

Float price includes switching out controller.

.XX denotes finish color. Available in BU, MS, MT, WF finishes.

STANDARD TOPS FOR FLOAT EXTENSION

24"D	SKU	DESCRIPTION	LIST
	TT2430	24 X 30 Training Table Work Surface	\$339
	TT2436	24 X 36 Training Table Work Surface	\$359
	TT2442	24"x42" Training Table Work Surface	\$399
30"D	SKU	DESCRIPTION	LIST
	TT3030	30 X 30 Training Table Work Surface	\$409
	TT3036	30 X 36 Training Table Work Surface	\$429
	TT3042	30"x42" Training Table Work Surface	\$475

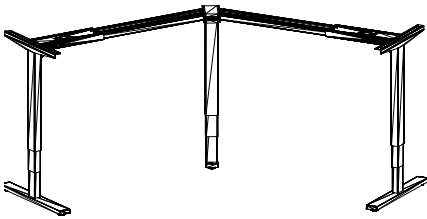
120° BASE

DESCRIPTION

Our 120° Base is compatible w/ our 120° tops to create a slightly angled workstation.

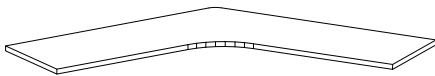
SKU	DESCRIPTION	LIST
E-TABLE-120-J.XX	120° Base Powered Adjustable Height Workstation - 3 Stage	\$4,365

NOTE: XX denotes finish color. Available in BU, MS, MT finishes.



TOPS FOR 120° BASE

24"D	SKU	DESCRIPTION	LIST
	AHCWS4242.120.90	120 Deg. Corner Adjustable Height Work Surface w/ 90° Ends - 42x42x24	\$1,049
	AHCWS4848.120.90	120 Deg. Corner Adjustable Height Work Surface w/ 90° Ends- 48x48x24	\$1,125
	AHCWS6060.120.90	120 Deg. Corner Adjustable Height Work Surface w/ 90° Ends- 60x60x24	\$1,449



NOTE: If 42" top is selected, modifications will be made to the base.



www.openplan.com | sales@openplan.com | 844.OPS.OPS1 | REV 08.01.2022

© 2022 Open Plan Systems. All Rights Reserved.

All content is subject to change. For the most current revision, visit www.openplan.com.